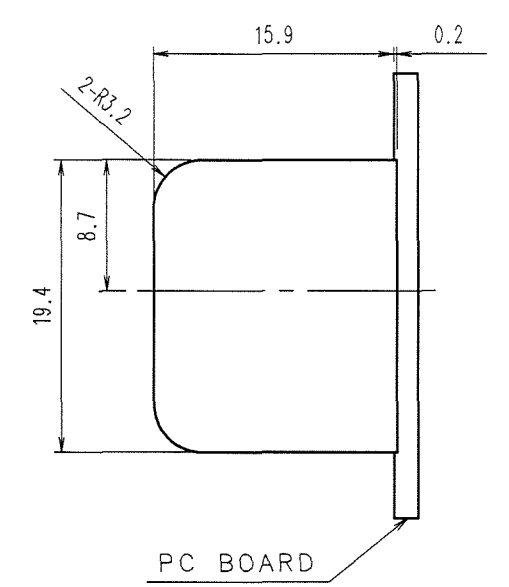
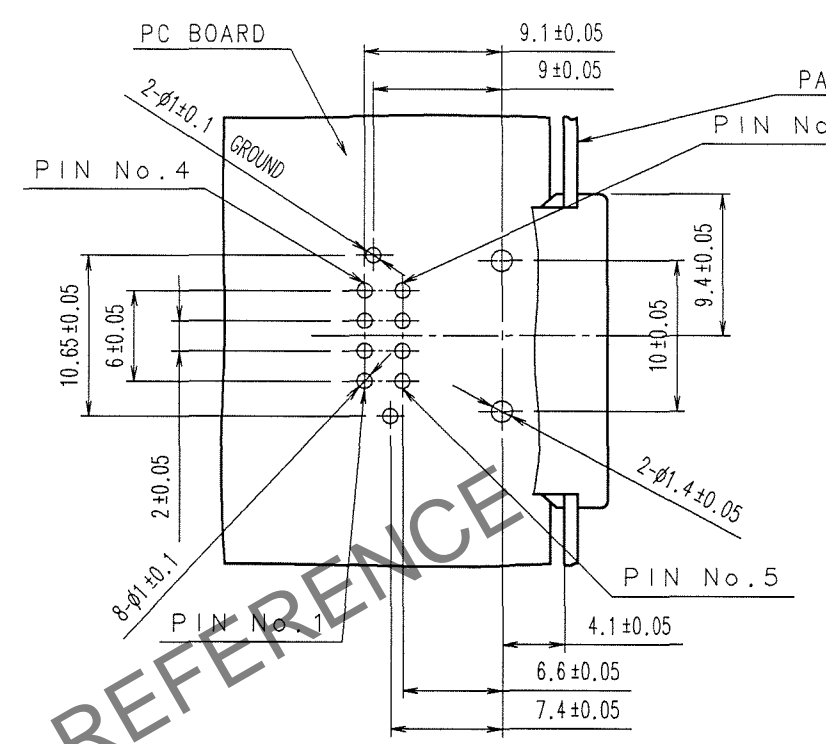
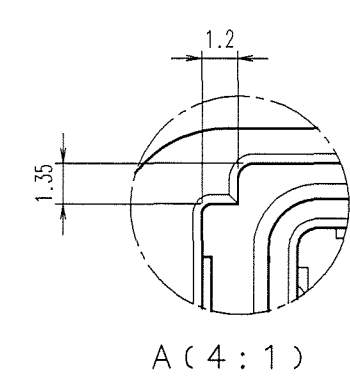
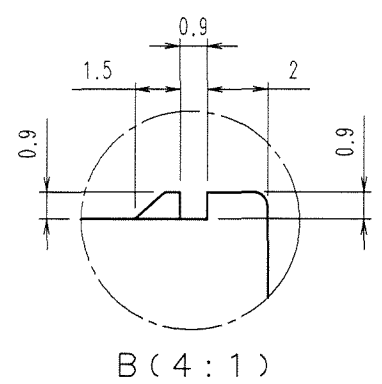


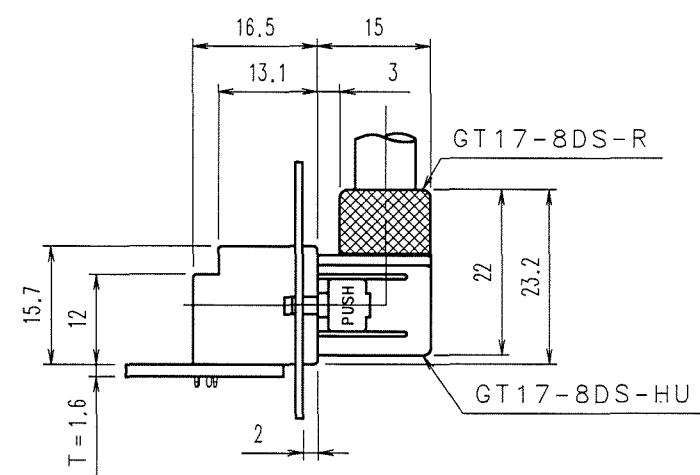
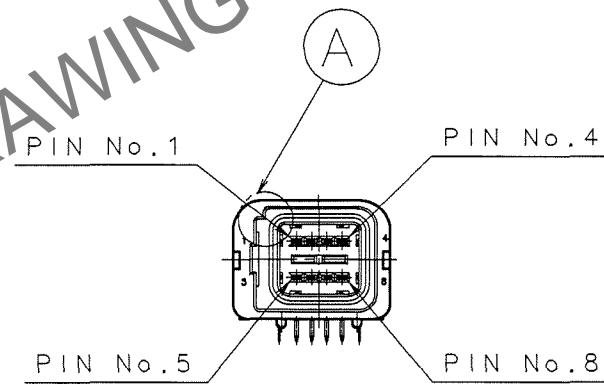
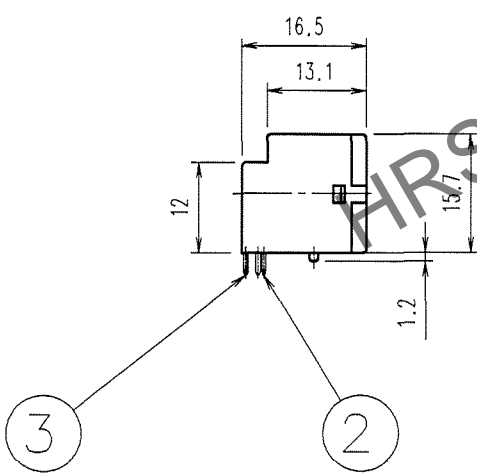
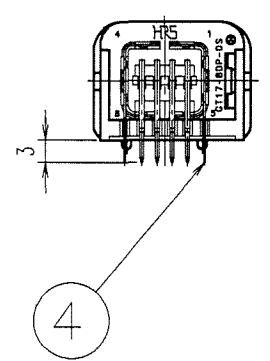
Dec.1.2024 Copyright 2024 HIROSE ELECTRIC CO., LTD. All Rights Reserved.
In case of consideration for using Automotive equipment / device which demand high reliability, kindly contact our sales window correspondents.

ELV. RoHS COMPLIANT

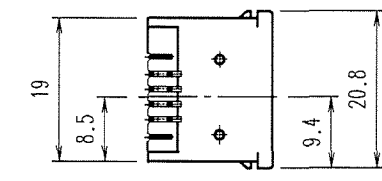
COUNT	DESCRIPTION OF REVISIONS	BY	CHKD	DATE	COUNT	DESCRIPTION OF REVISIONS	BY	CHKD	DATE
△					△				
△					△				
△					△				



RECOMMENDED PC BOARD HOLE PATTERN(2:1) RECOMMENDED PANEL CUTOUT(2:1)



MATED CONNECTORS



2	BRASS	TIN PLATED , T=0.64	4	PHOSPHOR BRONZE	TIN PLATED , T=0.25
1	PBT	UL94HB, LIGHT GRAY	3	BRASS	TIN PLATED , T=0.64
NO.	MATERIAL	FINISH, REMARKS	NO.	MATERIAL	FINISH, REMARKS

CODE NO. (OLD)		DRAWN	DESIGNED	CHECKED	APPROVED	RELEASED
		S. KURIYA	T. SHISHIKURA	K. Aoto	K. Aoto	
		06.2.16	98.5.26	06.2.17	06.2.17	

SCALE	DRAWING NO.	PART NO.
1 : 1	EDC3-165408-02	GT17-8DP-DS(70)
UNITS	HIROSE ELECTRIC CO., LTD.	CODE NO.
mm		CL767-0001-9-70

TO