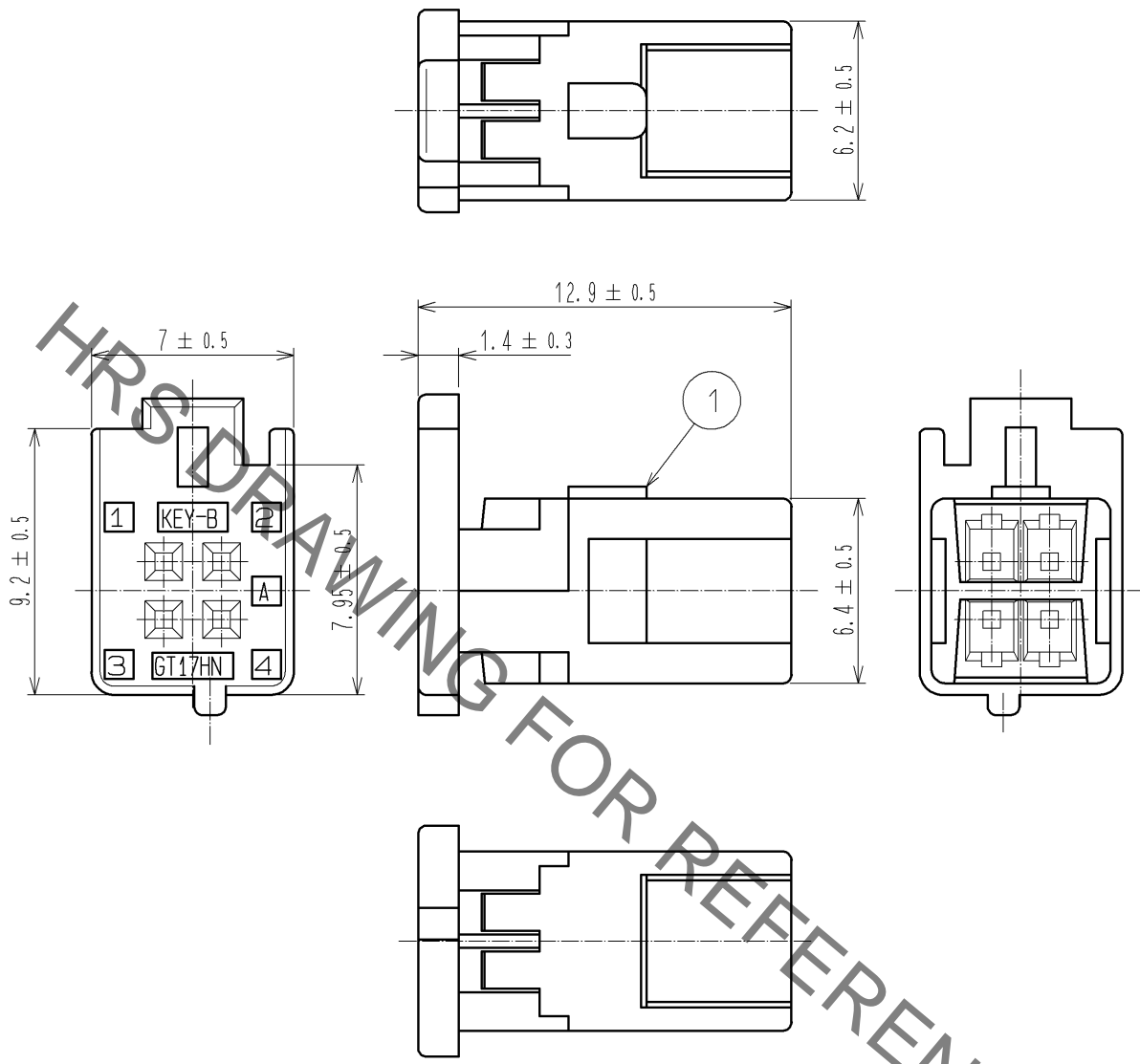


Oct.1.2021 Copyright 2021 HIROSE ELECTRIC CO., LTD. All Rights Reserved.
 In case of consideration for using Automotive equipment / device which demand high reliability, kindly contact our sales window correspondents.

ELV. RoHS COMPLIANT



APPLICABLE CONTACT: GT8-2428SCF(70)

1	PBT	GREEN							
NO.	MATERIAL	FINISH	REMARKS	NO.	MATERIAL	FINISH	REMARKS		
UNITS mm		SCALE 4 : 1	COUNT 	DESCRIPTION OF REVISIONS			DESIGNED	CHECKED	DATE
HIROSE ELECTRIC CO., LTD.	APPROVED	: AR. SHIRAI	09.05.20	DRAWING NO.	EDC4-166836-00				
	CHECKED	: NH. NAKATA	09.05.19	PART NO.	GT17HN-4DS-2C(B)				
	DESIGNED	: TS. KUBOTA	09.05.19	CODE NO.	CL767-0147-4-00				
	DRAWN	: TS. KUBOTA	09.05.19		1/1				