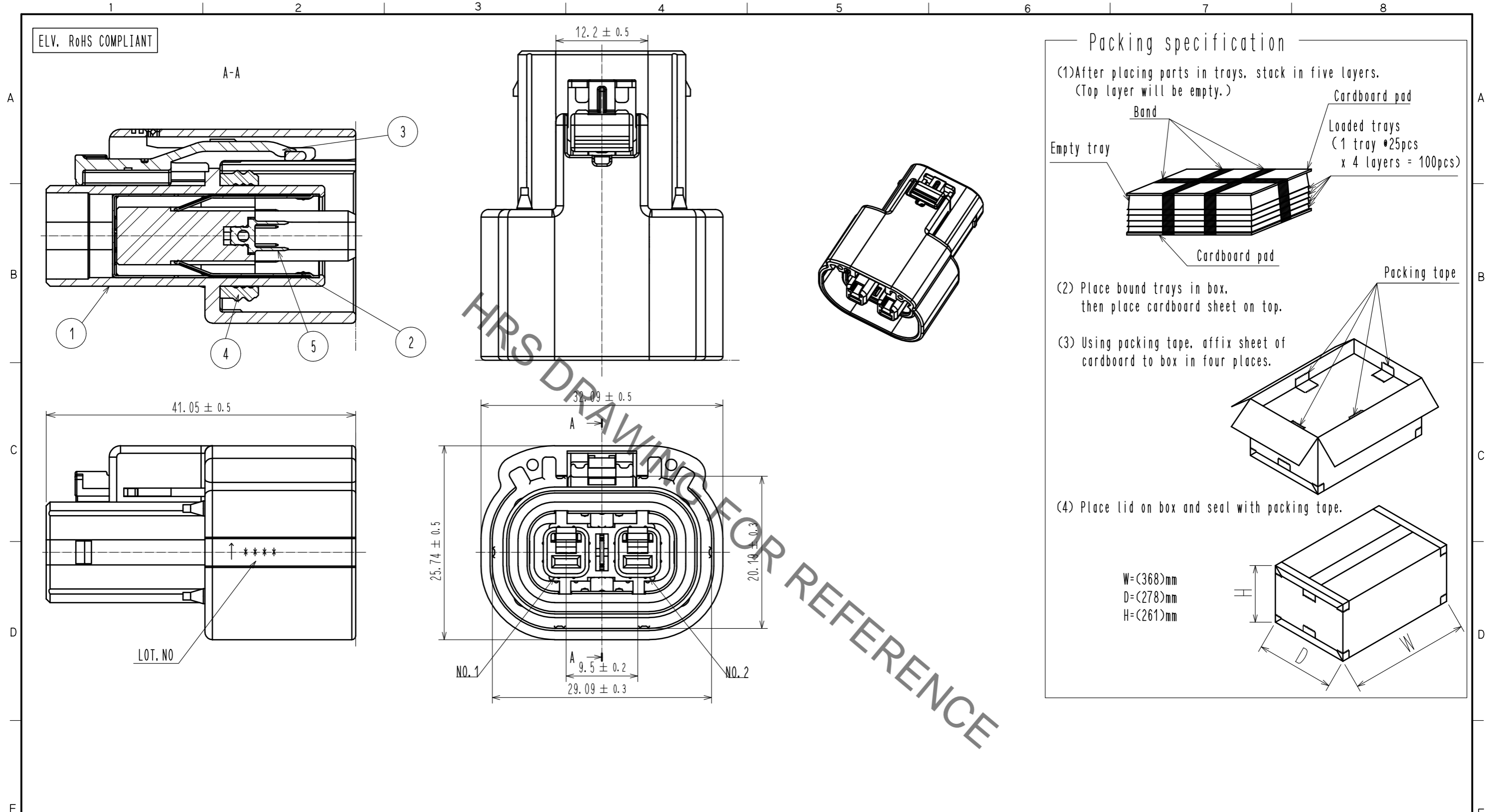


Mar.1.2020 Copyright 2020 HIROSE ELECTRIC CO., LTD. All Rights Reserved.
In case of consideration for using Automotive equipment / device which demand high reliability, kindly contact our sales window correspondents.

ELV. RoHS COMPLIANT



Packing specification

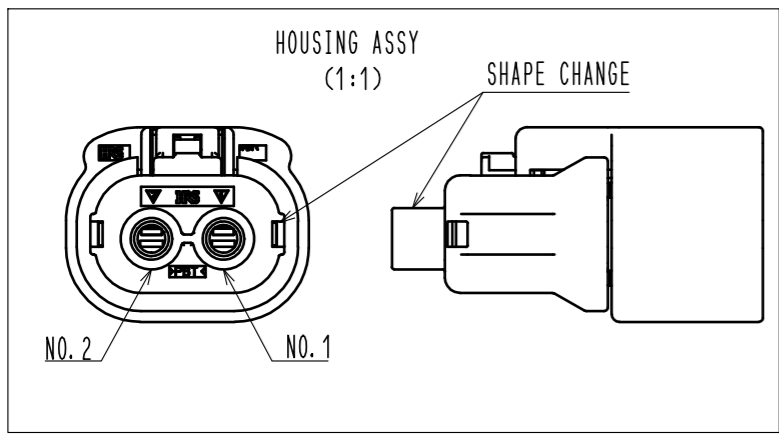
(1) After placing parts in trays, stack in five layers.
(Top layer will be empty.)

(2) Place bound trays in box, then place cardboard sheet on top.

(3) Using packing tape, affix sheet of cardboard to box in four places.

(4) Place lid on box and seal with packing tape.

W=(368)mm
D=(278)mm
H=(261)mm



Note 1. Counter part is HVH-280-2/2P-HU(CL778-0500-0-00)
2. Following parts are available.
HOLDER : HVH-280-2/2S-HO(CL778-0507-0-00)
WIRE SEAL : HVH-280-2/2S-WS(CL778-0505-0-00)
POWER CRIMP CONTACT : HVH-280-1214SCF(CL778-0502-0-00)
SHIELD CONTACT : HVH-280-4.2CF(CL778-0503-0-00)
3. Assembly procedure refer to ETAD-T0574-00

| NO. | MATERIAL | FINISH | REMARKS | NO. | MATERIAL | FINISH | REMARKS |
|-----|----------|---|----------|-----|--------------|---|---------|
| 3 | PBT | RED. | UL94 V-0 | | | | |
| 2 | SUS | SURFACE:TIN PLATING 1μm MIN UNDER PLATING:NICKEL PLATING 0.5μm MIN | | 5 | COPPER ALLOY | SURFACE:TIN PLATING 1μm MIN UNDER PLATING:NICKEL PLATING 0.5μm MIN | |
| 1 | PBT | ORANGE. | UL94 V-0 | 4 | SILICONE | BLUE | |

| UNITS | SCALE | COUNT | DESCRIPTION OF REVISIONS | DESIGNED | CHECKED | DATE |
|-------|-------|-------|--------------------------|-------------|--------------|----------|
| mm | 2 : 1 | 1 | DIS-T-00003442 | TS. SHIMIZU | AH. EDASHIGE | 18.07.26 |

| APPROVED | CHECKED | DESIGNED | DRAWN | DRAWING NO. | PART NO. | CODE NO. |
|-------------|-------------|--------------|--------------|------------------|-----------------|-----------------|
| HK. UMEHARA | HK. UMEHARA | KO. NAKAMURA | KO. NAKAMURA | EDC-369972-00-00 | HVH-280-2/2S-HU | CL778-0504-0-00 |
| 16.11.28 | 16.11.28 | 16.11.28 | 16.11.28 | | | |