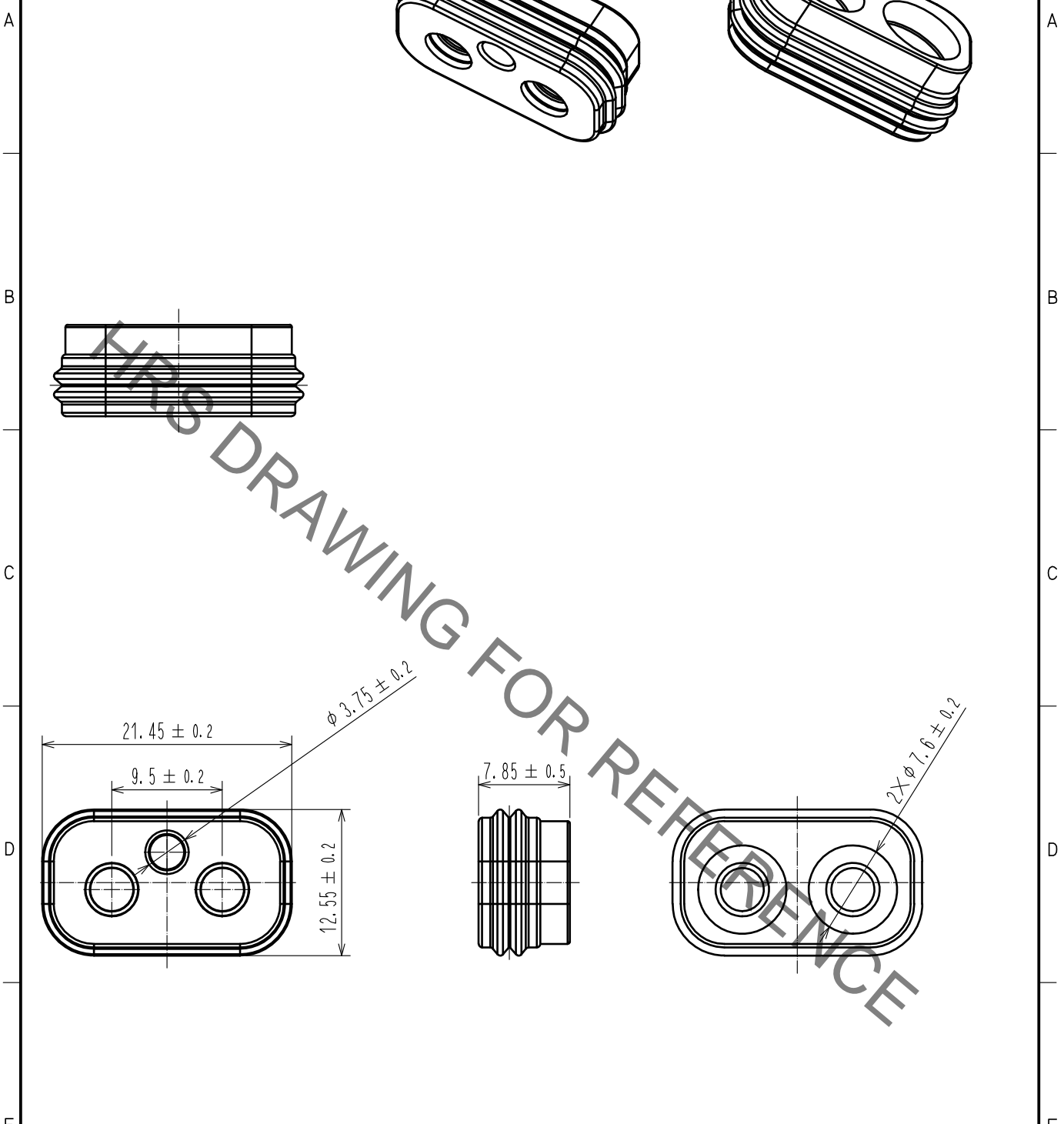


Mar.1.2020 Copyright 2020 HIROSE ELECTRIC CO., LTD. All Rights Reserved.
 In case of consideration for using Automotive equipment / device which demand high reliability, kindly contact our sales window correspondents.

ELV. RoHS COMPLIANT



Note 1. A pack of 100.
 2. Assembly procedure refer to ETAD-T0574-00.
 3. Applicable cable : φ5.0~5.4mm.

1	SILICONE	BENGAL RED	2	-	-
NO.	MATERIAL	FINISH . REMARKS	NO.	MATERIAL	FINISH . REMARKS
UNITS mm		SCALE 2 : 1	COUNT 	DESCRIPTION OF REVISIONS DIS-T-00003683	DESIGNED TS. SHIMIZU
					CHECKED AH. EDASHIGE
					DATE 18. 08. 09
HRS HIROSE ELECTRIC CO., LTD.	APPROVED	·HK. UMEHARA	16. 11. 28	DRAWING NO.	EDC-370379-00-00
	CHECKED	·HK. UMEHARA	16. 11. 28	PART NO.	HVH-280-2/2S-WS
	DESIGNED	·KO. NAKAMURA	16. 11. 28	CODE NO.	CL778-0505-0-00
	DRAWN	·KO. NAKAMURA	16. 11. 28		