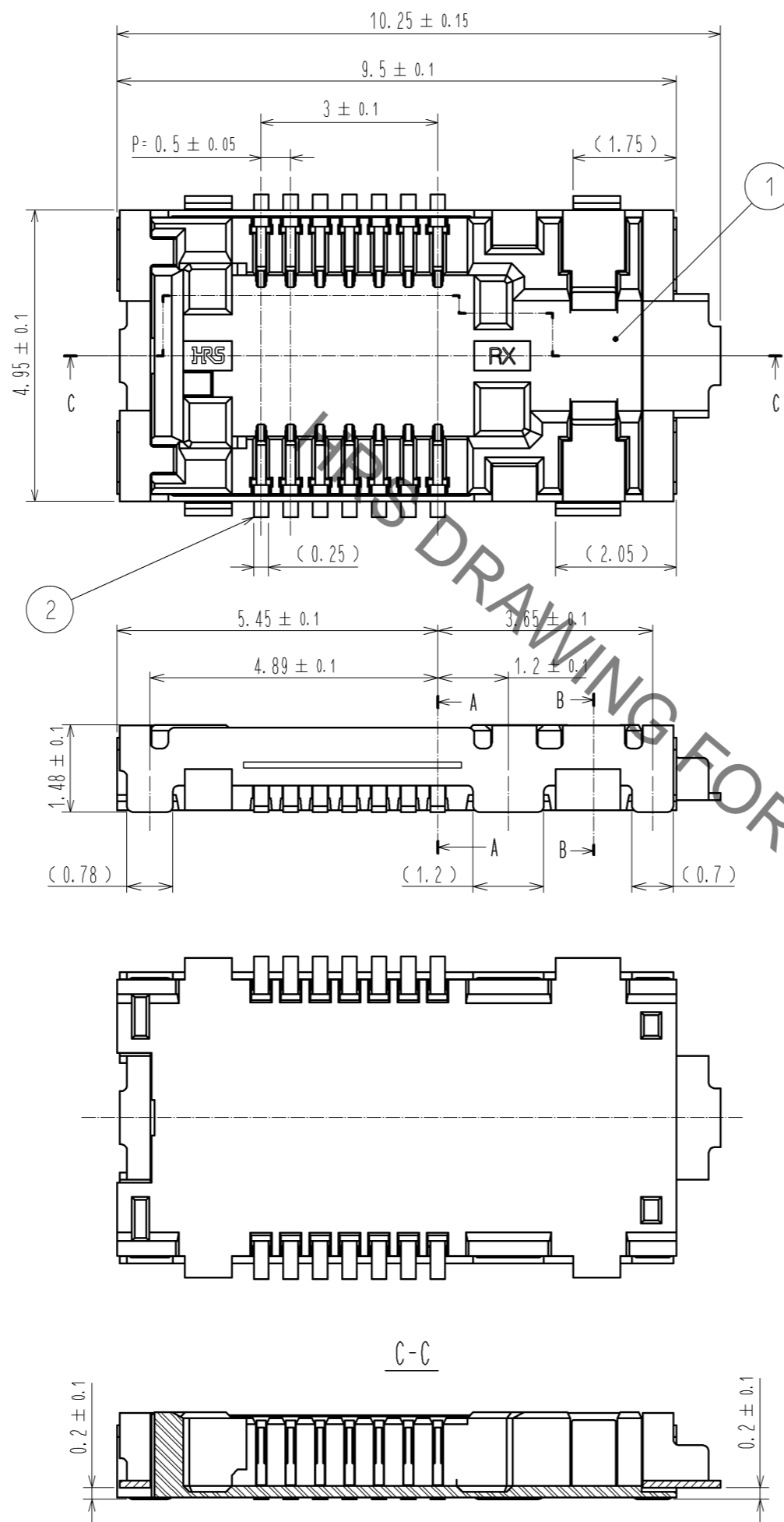


May.1.2019 Copyright 2019 HIROSE ELECTRIC CO., LTD. All Rights Reserved.
In case of consideration for using Automotive equipment / device which demand high reliability, kindly contact our sales window correspondents.



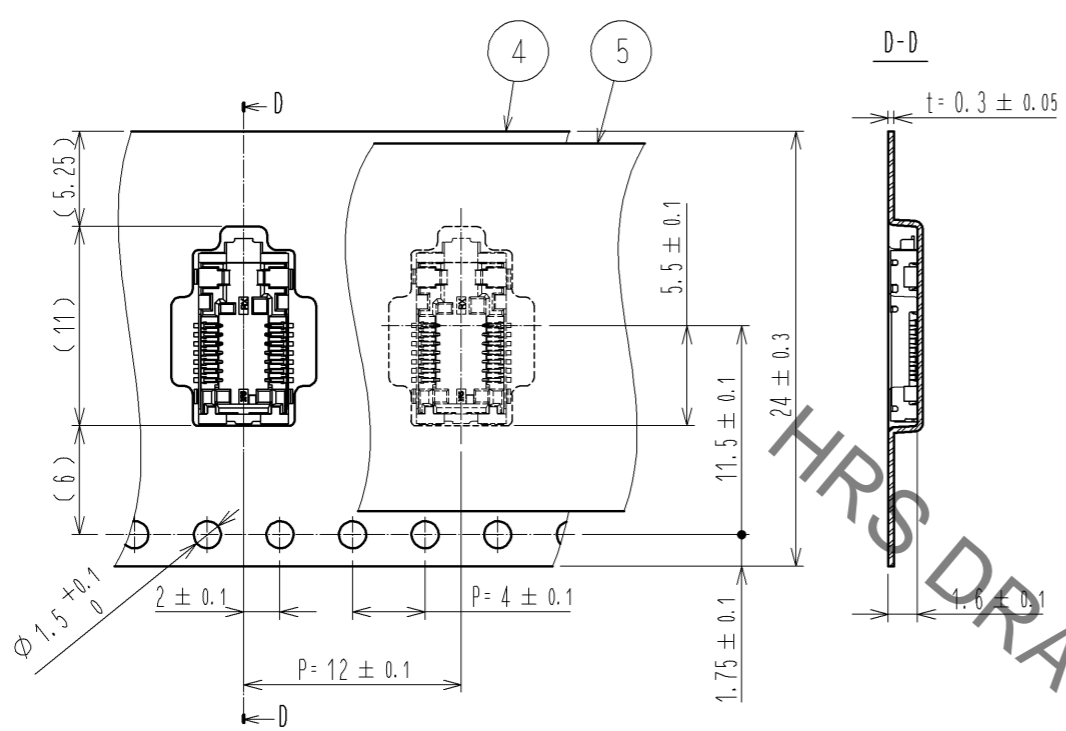
NOTE 1 All lead co-planarity shall be 0.1mm maximum.

- ①② Contact plating
 - Contact area :Gold 0.05um MIN
 - SMT lead :Gold 0.05um MIN
 - Under plating:Nickel 1um MIN
- There shall be the nickel barrier between contact and SMT area.
- ①③ Shell plating
 - All area :Gold 0.05um MIN
 - Under plating:Nickel 1um MIN 2um MAX
- 4 The peeling strength of cover tape shall comply with IEC 60286-3 (JIS C0806-3).
- 5 Embossed carrier tape has the sprocket hole on one side.
- ⑥ Recommended land pattern is shown. Please do not arrange the via without resist in the hatching part as shown in the figure.
- ⑦ The connector dimension when the plug engages is shown.
- ⑧ Please note that it becomes impossible to use extraction tool when other parts are in the crossing hatching part as shown in the figure.
- 9 Please layout the PCB pattern and fiber alignment, considering not to overload fiber. (Please see ETAD-K0398 about connector handling precautions.)
- ①⑩ Pin assignment and functions are described in the specification of BF4M plug connector (ETAD-K0485)

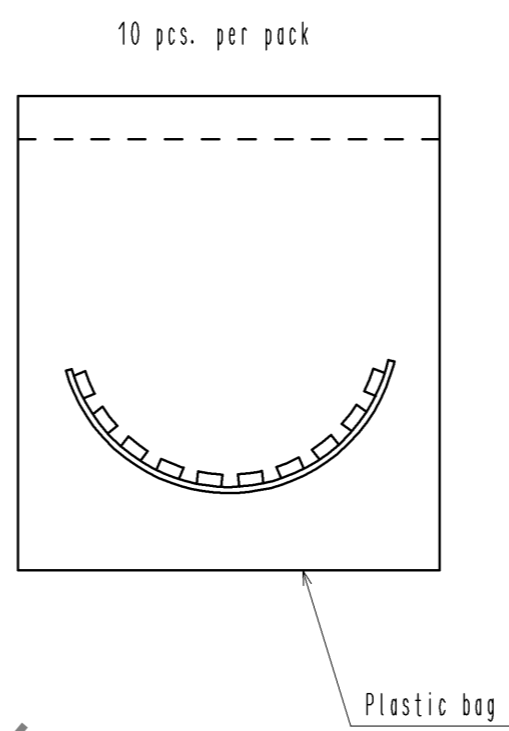
3	Phosphor Bronze	③	5	POLYESTER	CLEAR (Cover tape)
2	Phosphor Bronze	②	4	PS	CLEAR (Embossed carrier tape)
1	LCP	UL94 V-0			
NO.	MATERIAL	FINISH . REMARKS	NO.	MATERIAL	FINISH . REMARKS
UNITS mm		SCALE 10 : 1	COUNT 4	DESCRIPTION OF REVISIONS	
				DESIGNED	CHECKED
				SJ. SUZUKI	SJ. SHIMIZU
				DATE	13.06.27
				DRAWING NO. EDC3-178304-10	
				PART NO. BF4-RX-14DS-0.5V<10>	
				CODE NO. CL831-0009-9-10	
				①②	

May.1.2019 Copyright 2019 HIROSE ELECTRIC CO., LTD. All Rights Reserved.
 In case of consideration for using Automotive equipment / device which demand high reliability, kindly contact our sales window correspondents.

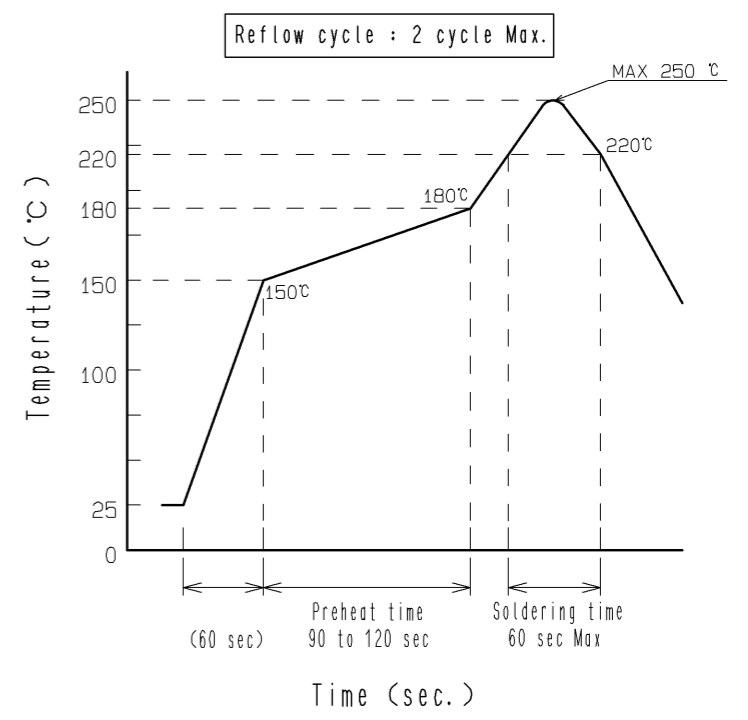
Dimensions of embossed carrier tape (Scale : FREE)



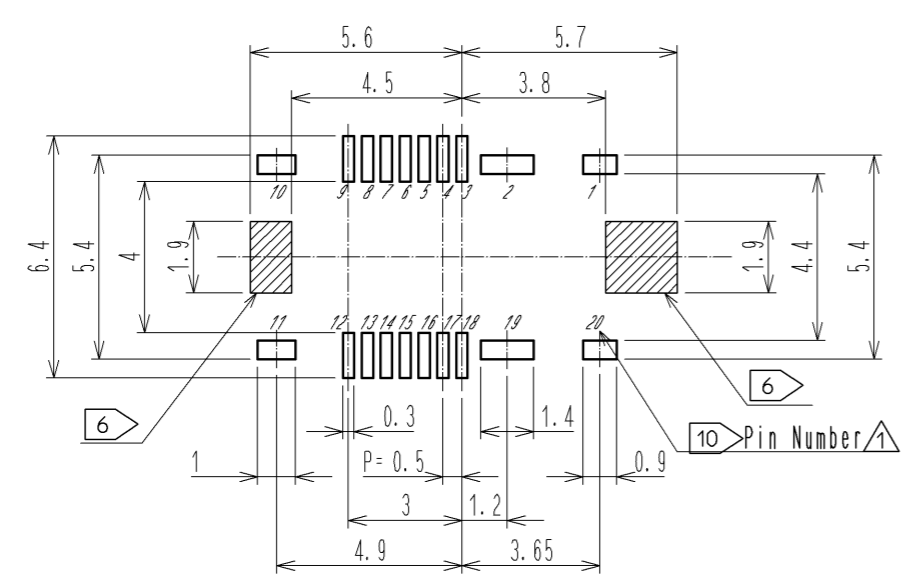
Packing style (Scale : FREE)



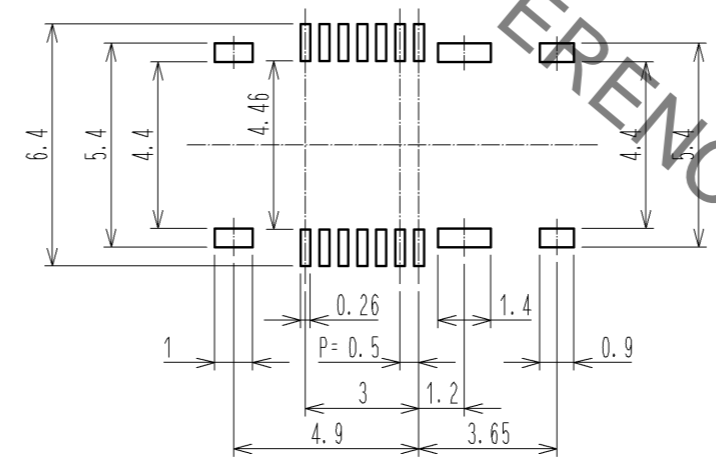
Recommended reflow temperature profile using Lead-Free solder paste.



Recommended PCB land pattern

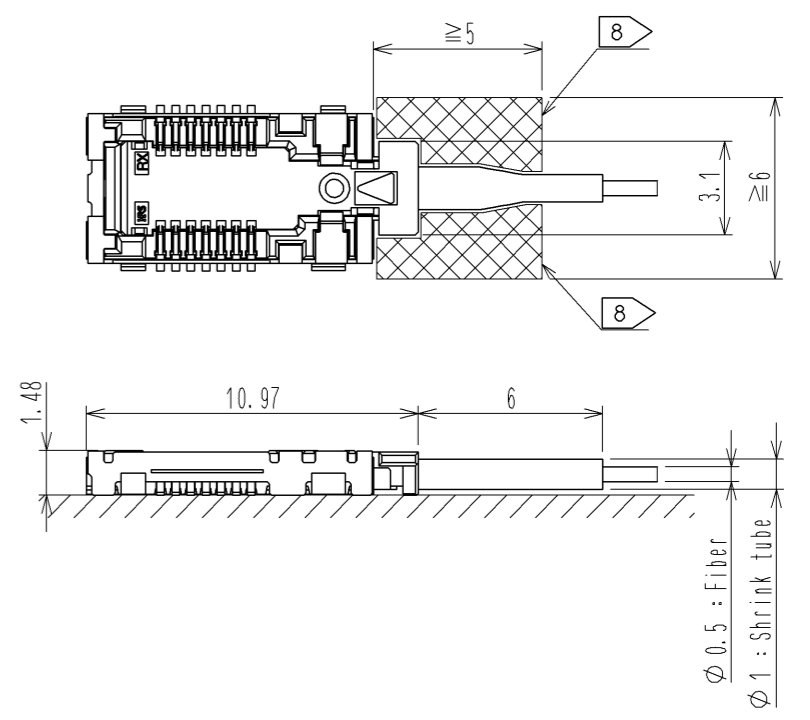


Recommended metal mask dimensions (Mask thickness : 120 μm)



Aperture ratio
 Pads mounted contacts : 70%
 Pads mounted shell : 100%

Dimensions of engaged connector (Scale:FREE)



HRS	DRAWING NO.	EDC3-178304-10
	PART NO.	BF4-RX-14DS-0.5V<10>
	CODE NO.	CL831-0009-9-10
		2/2