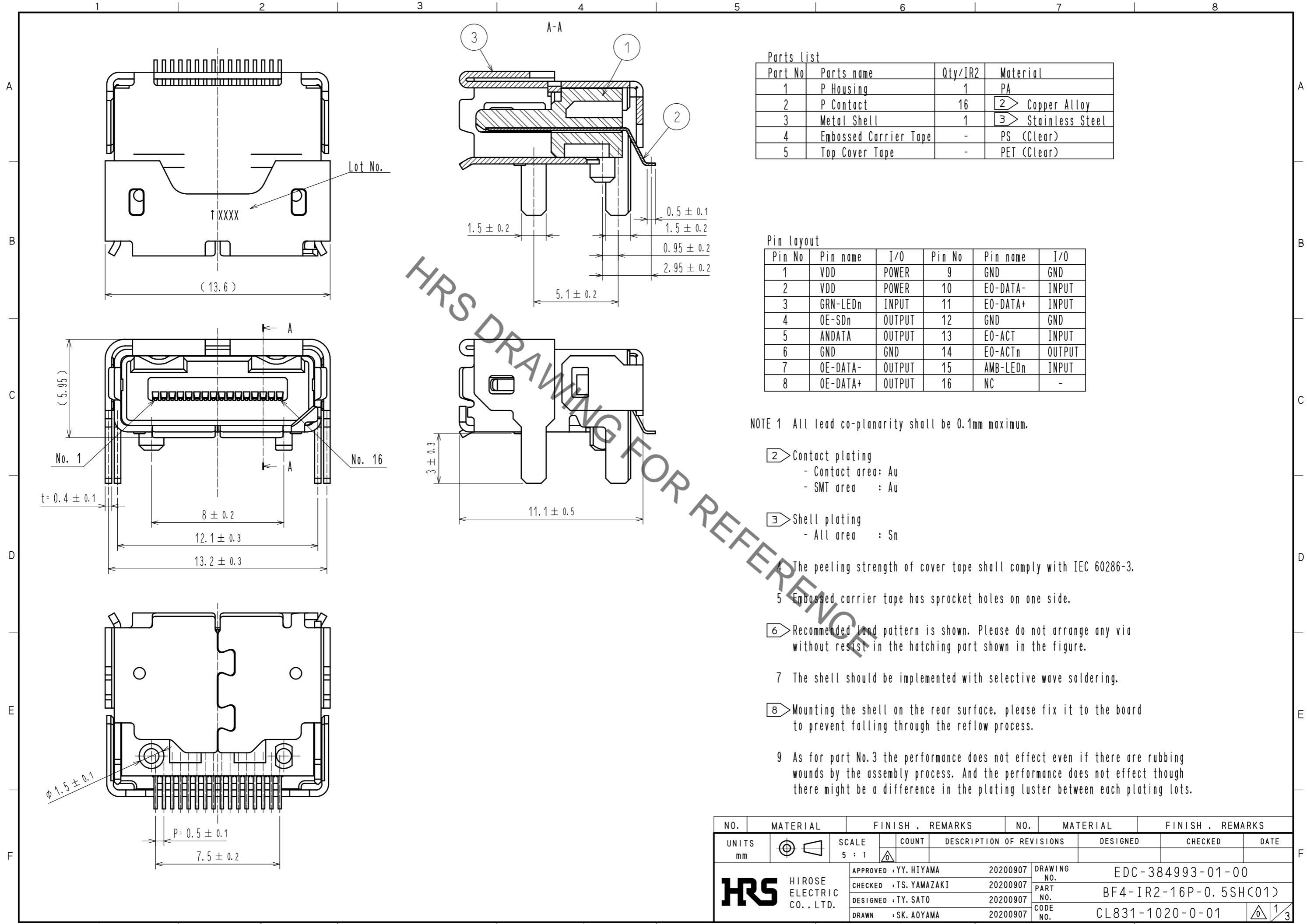


Jan.1.2021 Copyright 2021 HIROSE ELECTRIC CO., LTD. All Rights Reserved.
In case of consideration for using Automotive equipment / device which demand high reliability, kindly contact our sales window correspondents.



HRS DRAWING FOR REFERENCE

NOTE 1 All lead co-planarity shall be 0.1mm maximum.

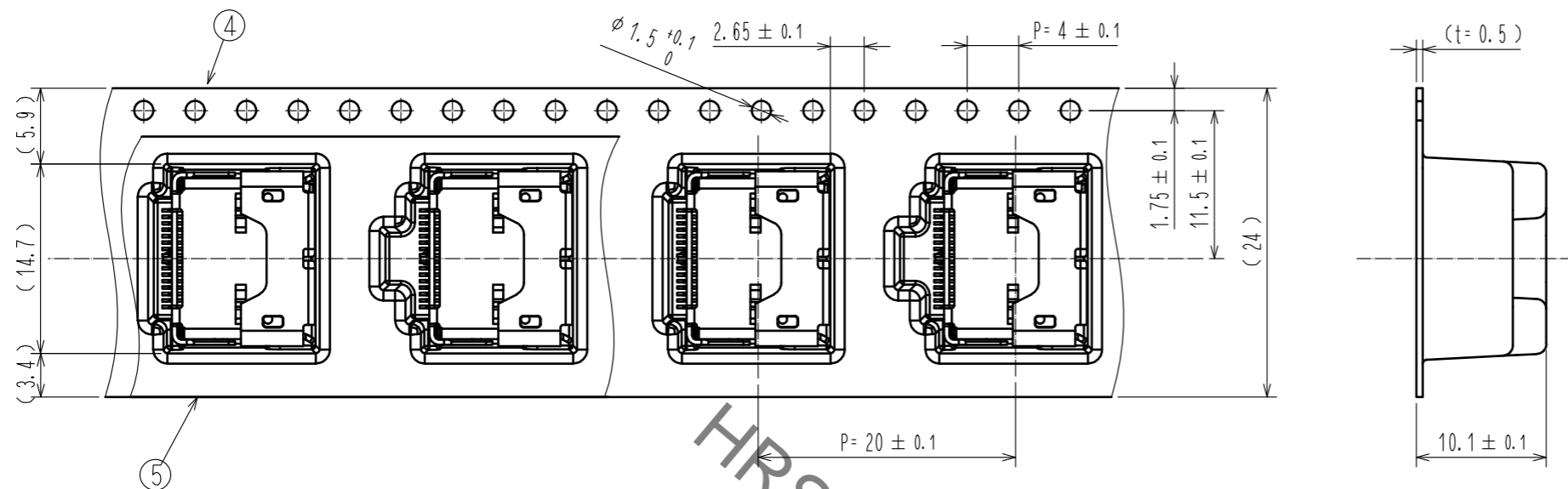
- ② Contact plating
 - Contact area: Au
 - SMT area : Au
- ③ Shell plating
 - All area : Sn

- 4 The peeling strength of cover tape shall comply with IEC 60286-3.
- 5 Embossed carrier tape has sprocket holes on one side.
- 6 Recommended lead pattern is shown. Please do not arrange any via without resist in the hatching part shown in the figure.
- 7 The shell should be implemented with selective wave soldering.
- 8 Mounting the shell on the rear surface, please fix it to the board to prevent falling through the reflow process.
- 9 As for part No.3 the performance does not effect even if there are rubbing wounds by the assembly process. And the performance does not effect though there might be a difference in the plating luster between each plating lots.

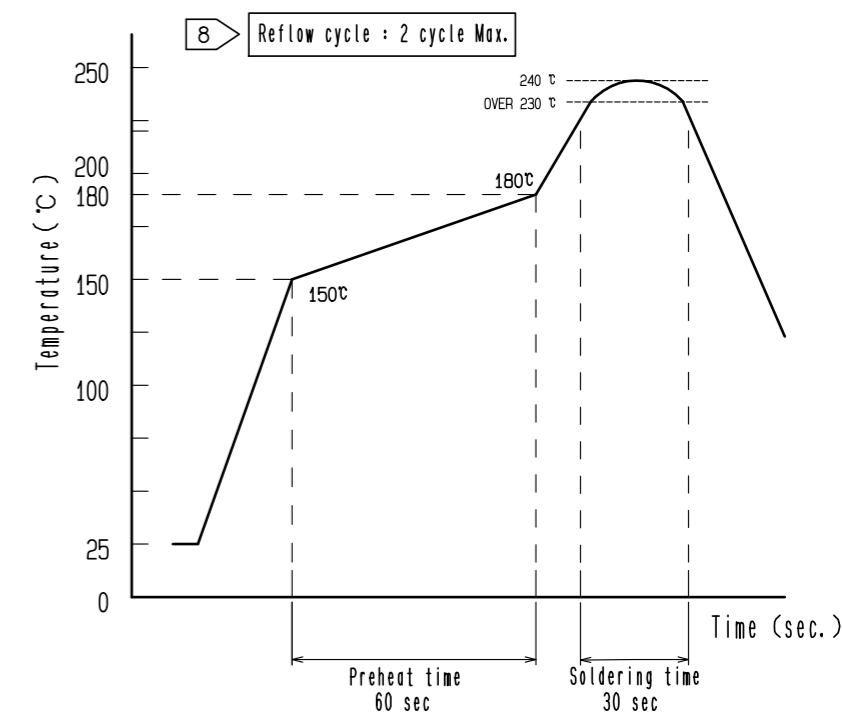
NO.	MATERIAL	FINISH . REMARKS	NO.	MATERIAL	FINISH . REMARKS
UNITS mm		SCALE 5 : 1	COUNT 	DESCRIPTION OF REVISIONS	DESIGNED
HIROSE ELECTRIC CO., LTD.			APPROVED :YY. HIYAMA	20200907	DRAWING NO.
			CHECKED :TS. YAMAZAKI	20200907	PART NO.
			DESIGNED :TY. SATO	20200907	CODE NO.
			DRAWN :SK. AOYAMA	20200907	
					EDC-384993-01-00
					BF4-IR2-16P-0.5SH(01)
					CL831-1020-0-01
					1/3

Jan.1.2021 Copyright 2021 HIROSE ELECTRIC CO., LTD. All Rights Reserved.
 In case of consideration for using Automotive equipment / device which demand high reliability, kindly contact our sales window correspondents.

Dimension of embossed carrier tape (Scale: free)

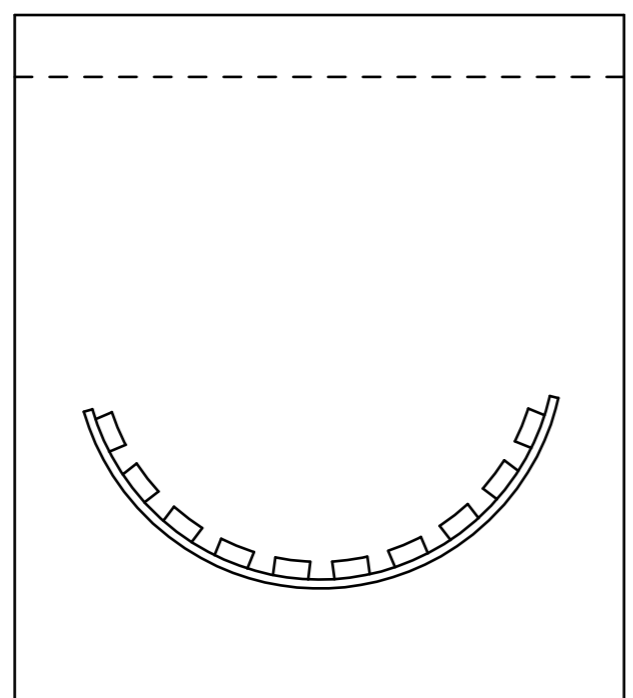


Recommended reflow temperature profile using Lead-Free solder paste.



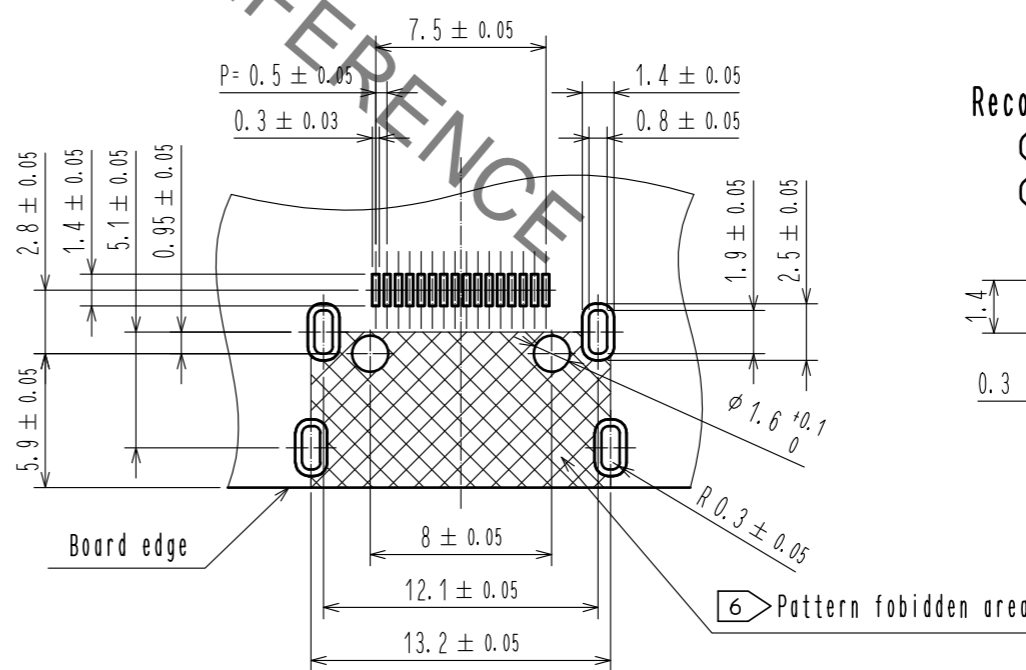
Packing style (Scale : FREE)

10 pcs. per pack

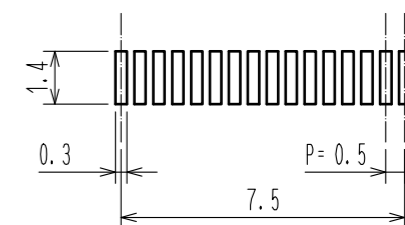


Plastic Bag

Recommended PCB land pattern (Scale: free)
 (PCB thickness: 2.4mm)

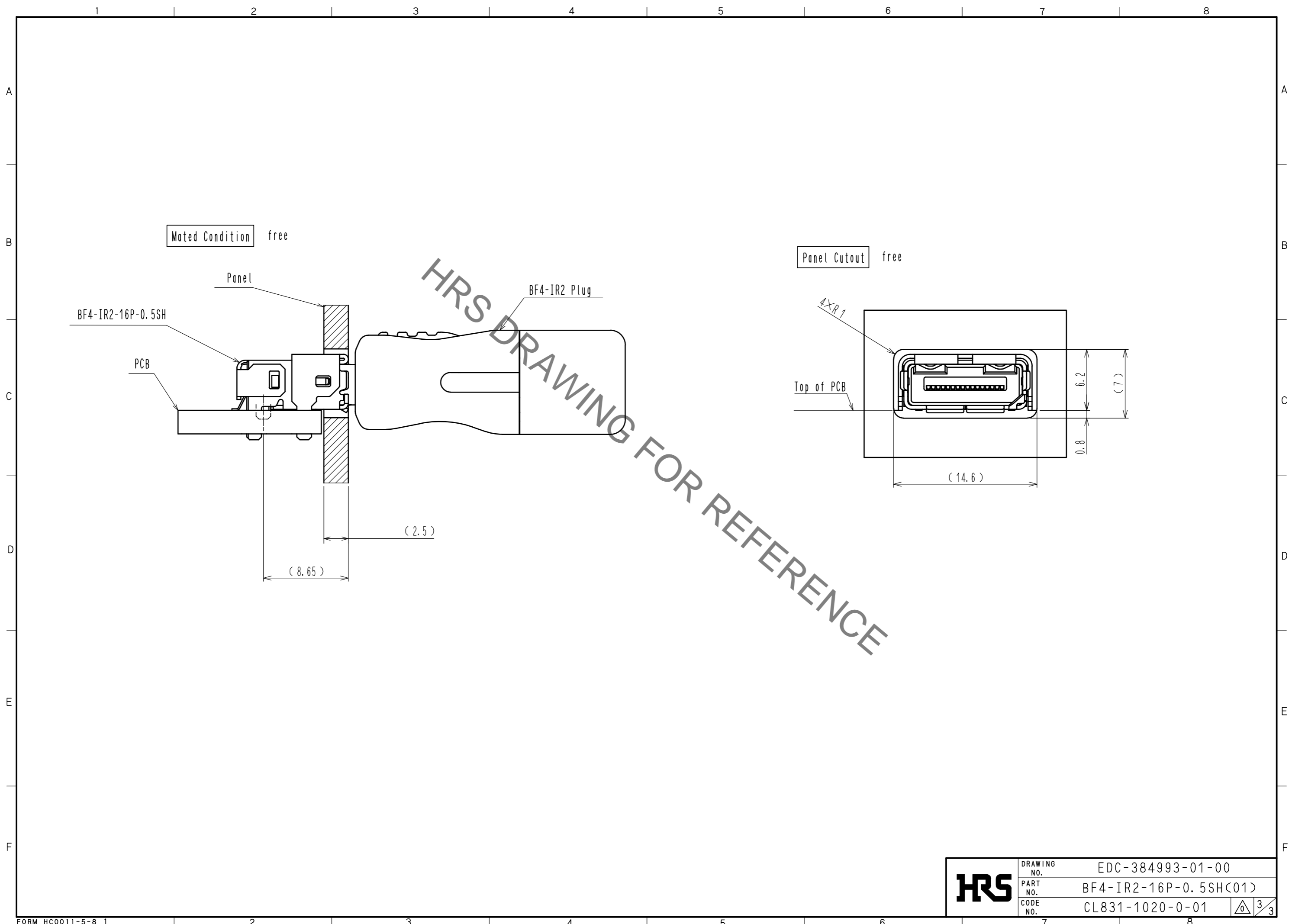


Recommended stencil dimensions
 (Scale: free)
 (Thickness: 120 μ m)



HRS	DRAWING NO.	EDC-384993-01-00
	PART NO.	BF4-IR2-16P-0.5SH(C01)
	CODE NO.	CL831-1020-0-01
		\triangle 2/3

Jan.1.2021 Copyright 2021 HIROSE ELECTRIC CO., LTD. All Rights Reserved.
In case of consideration for using Automotive equipment / device which demand high reliability, kindly contact our sales window correspondents.



HRS	DRAWING NO.	EDC-384993-01-00
	PART NO.	BF4-IR2-16P-0.5SH(01)
	CODE NO.	CL831-1020-0-01
		3/3