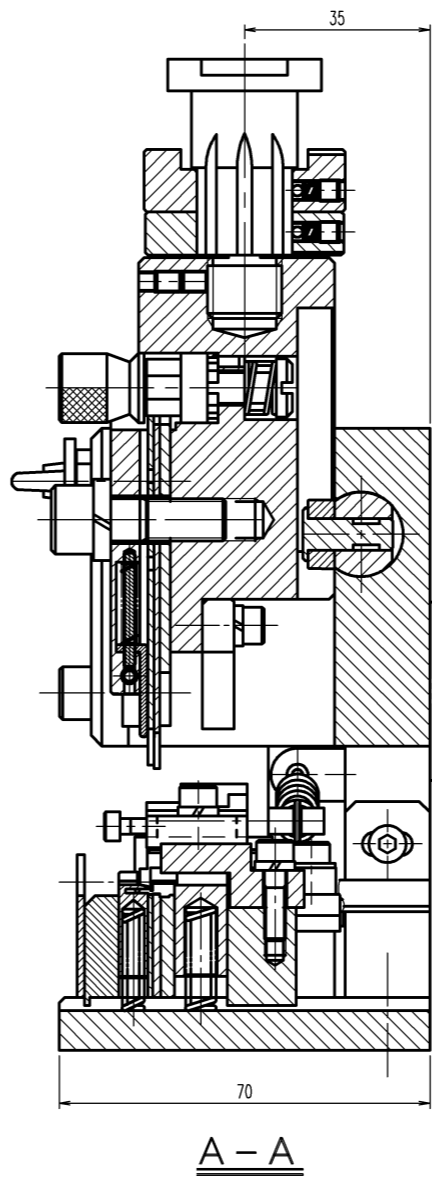
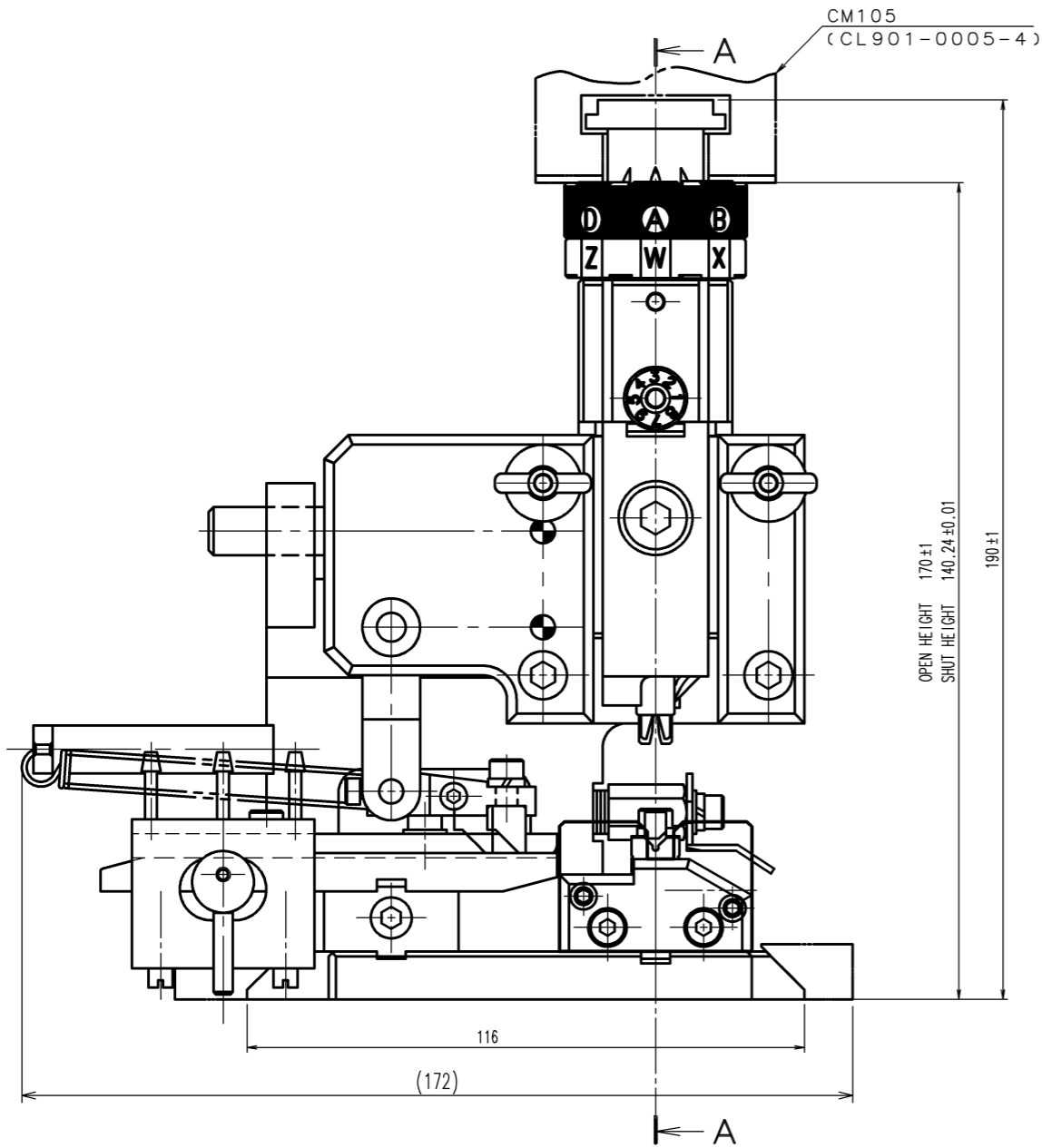


1 2 3 4 5 6 7 8

COUNT	DESCRIPTION OF REVISIONS	BY	CHKD	DATE	COUNT	DESCRIPTION OF REVISIONS	BY	CHKD	DATE
△				..	△				..
△				..	△				..
△				..	△				..

A  
B  
C  
D  
E

A  
B  
C  
D  
E



Notes. 1 Contact of GT32-2428SCF(CL782-0007-8) is assembled for this tool.

TO  
PE

F

F

2			4		
1			3		
NO.	MATERIAL	FINISH, REMARKS	NO.	MATERIAL	FINISH, REMARKS
CODE NO. (OLD) CL			DRAWN	DESIGNED	CHECKED
			H. KUDO	M. TAKAHASHI	S. OIZUMI
			13.3.26	13.3.26	13.3.27
			APPROVED	RELEASED	
			H. YONEMURA	..	
			13.3.27	..	
DRAWING NO. EDC3-276358			PART NO. AP105-GT32-2428S		
SCALE FREE			CODE NO. CL901-5223-2		
UNITS mm			1/1		

1 2 3 4 5 6 7 8