

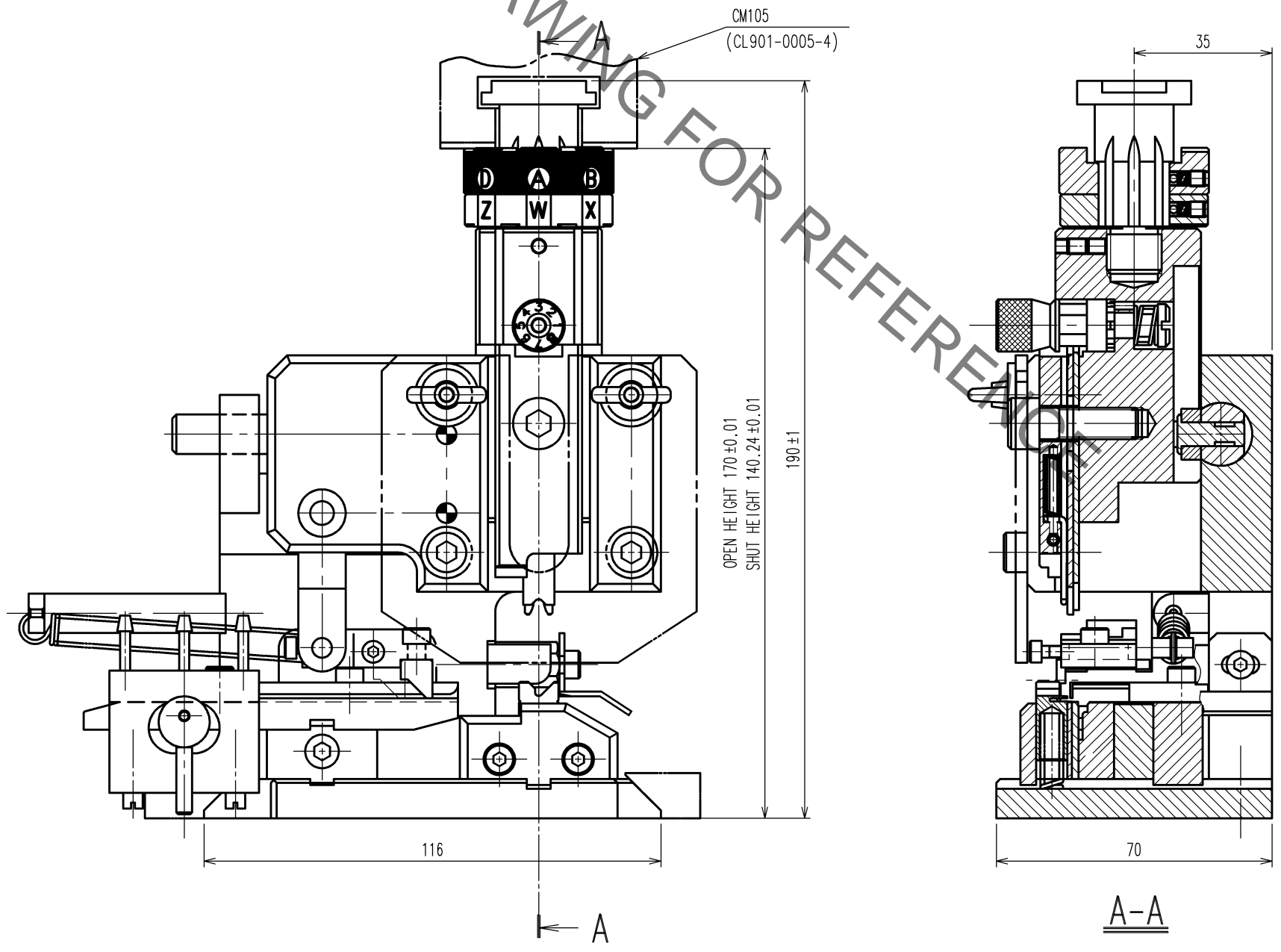
In case of consideration for using Automotive equipment / device which demand high reliability, kindly contact our sales window

1 2 3 4 5 6 7 8

COUNT	DESCRIPTION OF REVISIONS	BY	CHKD	DATE	COUNT	DESCRIPTION OF REVISIONS	BY	CHKD	DATE
△				..	△				..
△				..	△				..
△				..	△				..

A
B
C
D
E

A
B
C
D
E



Notes. 1 Contact of ZE064-2022SCF(CL753-2001-0) is assembled for this tool.

TO
PE

2			4		
1	-	-	3		
NO.	MATERIAL	FINISH, REMARKS	NO.	MATERIAL	FINISH, REMARKS
CODE NO. (OLD) CL-			DRAWN	DESIGNED	CHECKED
			M.HOSHINO	K.SUGIBUCHI	T.ITO
			18.05.07	18.05.07	18.05.07
			APPROVED	RELEASED	
			T.ITO	T.ITO	..
			18.05.07	18.05.07	
DRAWING NO. EDC-285307-00-00			PART NO. AP105-ZE064-2022S		
SCALE FREE			CODE NO. CL901-5241-0		
UNITS mm			HRS HIROSE ELECTRIC CO., LTD		

1 2 3 4 5 6 7 8