

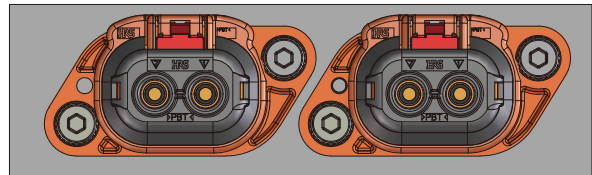
NEW

Automotive High Voltage Waterproof Connector

HVH-280 Series (Waterproof)



● Low Profile and Small Size

**Fig.1**

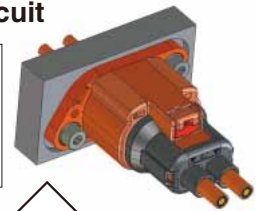
■ Features

- 1. Rated current : 30A
Rated voltage : 600V AC/DC**
- 2. Low profile and small size**
Miniaturization by using two screws greatly reduces the mounting area. Rated current is 30A with a 40% height reduction compared to competitive products.
- 3. High Heat Resistance**
Ambient temperature up to 120°C.
- 4. High Vibration Resistance**
Can be used in severe environments such as inside vehicles where strong vibration is present.
- 5. IPXXB (finger protection)
(Compliant with JIS C0920)**
- 6. IPX9K (high pressure washing)
waterproof (Compliant with JIS D 5020)**
Suitable for harsh high pressure washing environments such as an interface connector for automobiles and industrial equipment.
- 7. Reinforced EMI Prevention**
The metal shield and ground provide complete EMI protection.
- 8. CPA (Half-Fit Prevention Mechanism)**
The use of a CPA (Connector Position Assurance) mechanism ensures a secure fit and prevents malfunctions due to poor mating.
- 9. Mating Detection Circuit**
A mating detection circuit ensures worker safety. The connector is designed so that no current flows to the power terminal unless the detection circuit's signal terminal contacts it (interlock mechanism) to prevent electric shocks.

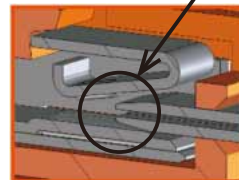
*When using the interlock mechanism, it is necessary for the customer to build the circuit.

● Mating Detection Circuit

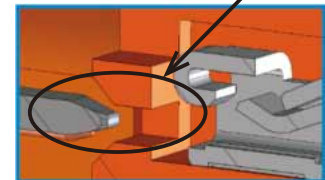
When the power terminal comes into contact, no current flows through the detection signal terminal.



Power Terminal Contact Point (Contact)

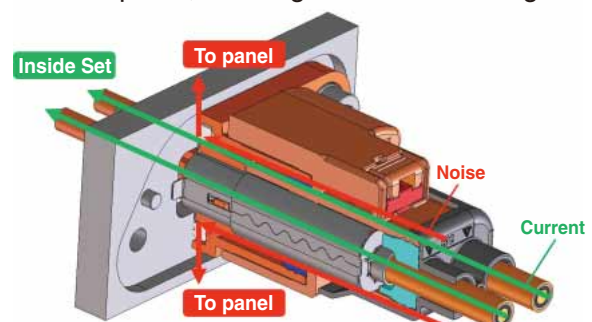


Signal Terminal Contact Point (No Contact)

**Fig.2**

● EMI Prevention

Noise is transmitted through a metal shield to the panel, creating effective shielding.

**Fig.3**

Product Specifications

Ratings	Rated Current	30A (Note 1)	Operating Temperature	-40°C to +120°C
			Storage Temperature Range	-10°C to +60°C (Note 2)
	Rated Voltage	600V AC/DC	Storage Humidity Range	Relative humidity 85% or less (No condensation)

Items	Specifications	Conditions
1. Contact resistance	Power 3mΩ/ Signal 10mΩ/ Shield 50mΩ max.	Measured at 10A DC
2. Insulation resistance	100MΩ min	Measured at 1000V DC
3. Withstanding Voltage	There shall be no flashover or dielectric breakdown.	Apply 2500V AC for 1 minute.
4. Mating Durability	Contact Resistance : Power 5mΩ/ Signal 20mΩ Max.	30 mating cycles (insertion/extraction)
5. Vibration Resistance	No electrical discontinuity of 1μs or more.	Frequency : 20 to 200Hz (acceleration : 88m/s ²) 3 minutes per cycle (Repeated) 3 directions, 3 cycles each.
6. Lock Strength	98N Min.	Breaking strength of the lock is measured while tensile in the direction of the mating axis
7. Breakage torque	No breakage	Tightened at 2.88N·m (Max.) using an M4 screw
8. Humidity Resistance	Contact resistance : Power 5mΩ/ Signal 20mΩ Max. Insulation resistance : 100MΩ Min.	Left at a temperature of 85°C for 96 hours with a relative humidity of 90 to 95%
9. Thermal shock	Contact Resistance : Power 5mΩ Max. Insulation Resistance : 100MΩ Min.	Temperature -40°C → Room temperature → 120°C → Room temperature Time : 30 → 5 → 30 → 5 minutes for 1000 cycles
10. Heat resistance	Contact Resistance : Power 5mΩ/ Signal 20mΩ Max.	Left at a temperature of 125°C for 300 hours
11. Cold resistance	Contact Resistance : Power 5mΩ/ Signal 20mΩ Max.	Left at a temperature of -40°C for 120 hours
12. Sulfurous Acid Resistance	Contact Resistance : Power 5mΩ/ Signal 20mΩ Max.	Left unmated in sulfurous acid gas for 96 hours at a room temperature with a concentration of 25ppm and a humidity of 75% RH or higher
13. Water resistance	No water immersion	After leaving the panel assembled in 125°C, flooding and cooling

Note 1 : Ambient temperature of 105°C and 12 AWG used for operating current listed. The rating current depends on operating temperature and cable used. Please contact a Hirose Sales Office for inquiries.

Note 2 : This storage temperature is for long-term storage of unused products.

Materials / Finish

Product Component	Part	Material	Finish	UL Standard
Plug	Housing	PBT resin	Orange	UL94V-0
	Holder	PBT resin	Black	——
	Seal	Silicone rubber	White	——
	Shield Terminal	Stainless steel	Tin plating	——
	Terminal	Copper alloy	Tin plating	——
	Collar	SWCH	Nickel plating	——
Socket	Housing	PBT resin	Orange	UL94V-0
	CPA	PBT resin	Red	UL94V-0
	Holder	PBT resin	Black	——
	Seal	Silicone rubber	Blue, rouge	——
	Shield terminal	Stainless steel	Tin plating	——
	Terminal	Copper alloy	Tin plating	——

Product Number Structure

Refer to the chart below when determining the product specifications from the product number. Please select from the product numbers listed in this catalog when placing orders.

● Plug Housing

HVH - 280 - 2 / 2 P - HU
 ① ② ③ ④ ⑤ ⑥

● Socket Holder

HVH - 280 - 2 / 2 S - HO
 ① ② ③ ④ ⑤ ⑥

● Terminal

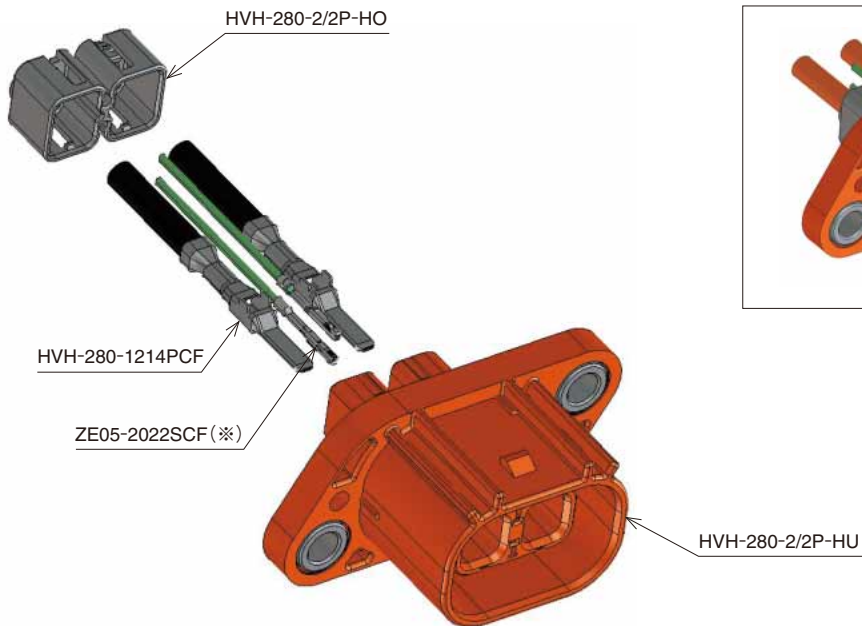
HVH - 280 - 1214 SCF
 ① ② ③ ④

① Series Name : HVH
② Series No. : 280
③ Number of contacts Power : 2
④ Signal : 2
⑤ Connector type P : Plug type S : Socket type
⑥ Form type HU : Housing HO : Holder

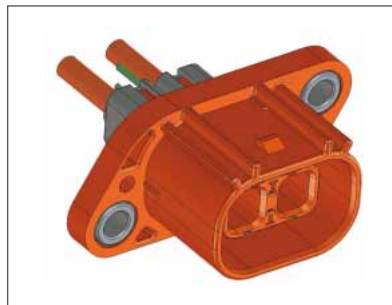
① Series Name : HVH
② Series No. : 280
③ Applicable Wire size 1214 : 12 to 14 AWG
④ Form Type PCF : Plug crimp terminal/reel SCF : Socket crimp terminal/reel

Product Configurations

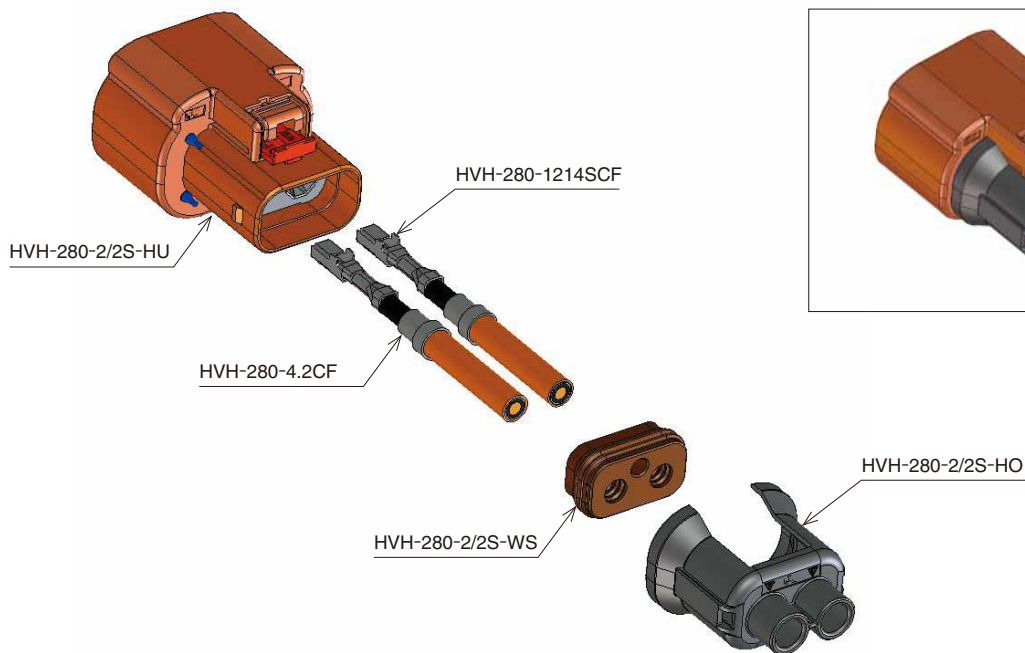
● Plug connector



■ Plug connector (assembled)



● Socket connector



■ Socket connector (assembled)

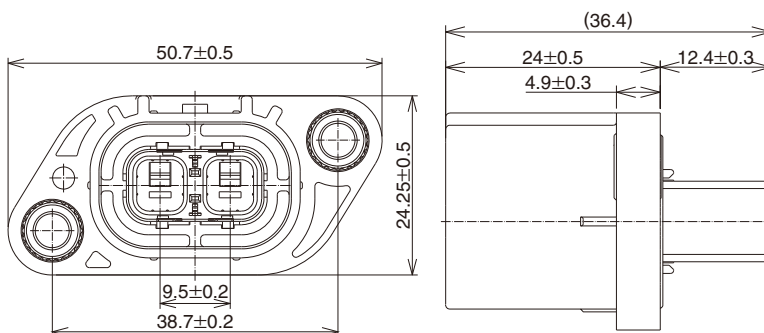


HVH-280 Series Mating Table

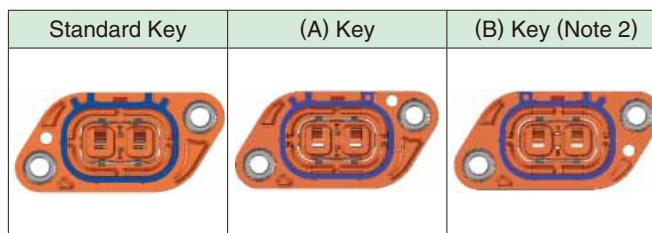
Plug connector		Socket connector	
	Configuration Product Name		Configuration Product Name
HVH-280 2pos. Plug connector	HVH-280-2/2P-HU	HVH-280 2pos. Socket Connector	HVH-280-2/2S-HU
	HVH-280-2/2P-HO		HVH-280-2/2S-HO
	HVH-280-1214PCF		HVH-280-2/2S-WS
	ZE05-2022SCF (※)		HVH-280-1214SCF
			HVH-280-4.2CF

※Required only for when using the mating detection feature.

■ Plug

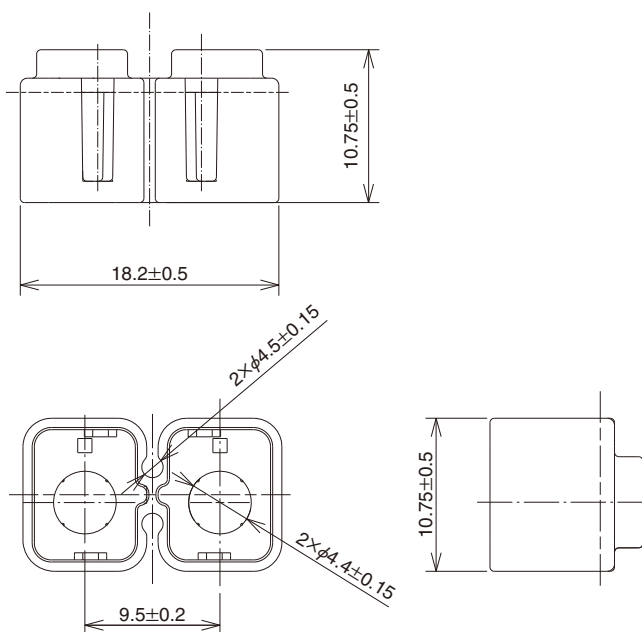


Part No.	HRS No.	Key Position
HVH-280-2/2P-HU	778-0500-0	Standard key
HVH-280-2/2P-HU (A)	778-0510-0	(A) Key
HVH-280-2/2P-HU (B)	Under development (Note 2)	(B) Key



Note 1 : The product is sold in sets (100 pieces per set) so please order based on number of sets.
 Note 2 : (B)Key is currently under development. Please contact Hirose sales representative for the details.
 Note 3 : Please contact Hirose sales representative for panel cut-out dimensions.

■ Plug Holder

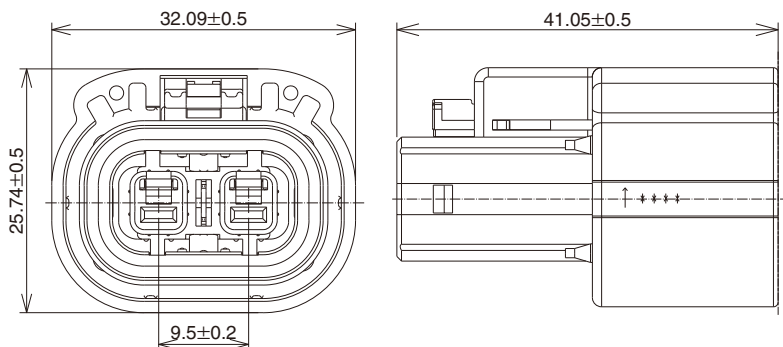


Part No.	HRS No.
HVH-280-2/2P-HO	778-0506-0

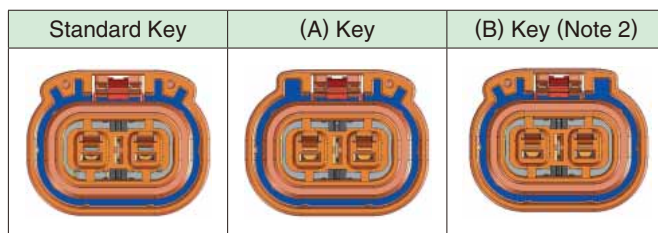
Note 1 : The product is sold in packs (100 pieces per pack) so please order based on number of packs.
 Note 2 : This product is compatible with wires that have an outer diameter of φ4.0 to 4.4mm Interface cable : φ1.5mm max.
 Please contact a Hirose sales representative regarding other cables.

Aug. 1. 2020 Copyright 2020 HIROSE ELECTRIC CO., LTD. All Rights Reserved.

Socket

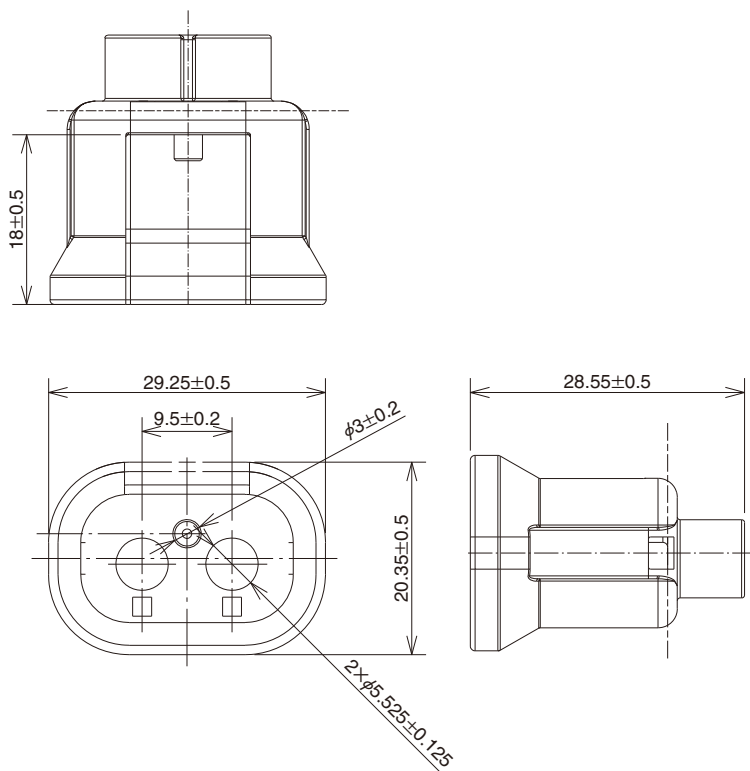


Part No.	HRS No.	Key Position
HVH-280-2/2S-HU	778-0504-0	Standard Key
HVH-280-2/2S-HU (A)	778-0508-0	(A) Key
HVH-280-2/2S-HU (B)	Under development (Note 2)	(B) Key



Note 1 : The product is sold in sets (100 pieces per set) so please order based on number of sets.
 Note 2 : (B)Key is currently under development. Please contact Hirose representative for the details.

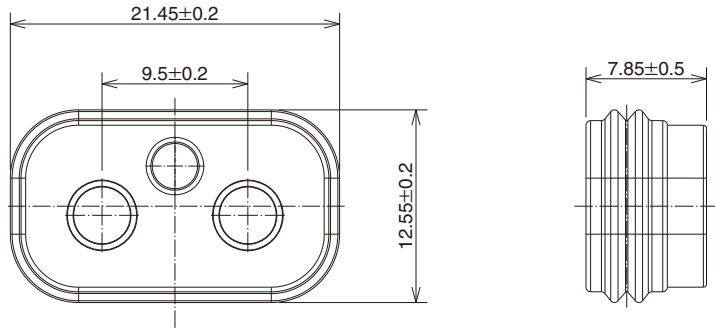
Socket Holder



Part No.	HRS No.
HVH-280-2/2S-HO	778-0507-0

Note 1 : The product is sold in packs (100 pieces per pack) so please order based on number of packs.
 Note 2 : This product is compatible with wires that have an outer diameter of $\phi 5.0$ to 5.4mm.
 Please contact a Hirose sales representative regarding other cables.

■ Seal



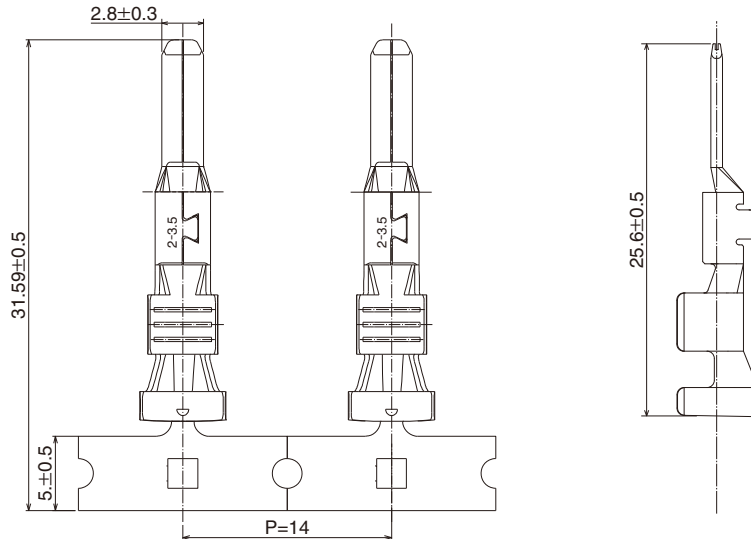
Part No.	HRS No.
HVH-280-2/2S-WS	778-0505-0

Note 1 : The product is sold in packs (100 pieces per pack) so please order based on number of packs.

Note 2 : This product is compatible with wires that have an outer diameter of $\phi 5.0$ to 5.4mm.

Please contact a Hirose sales representative regarding other cables.

■ Plug Crimp Terminal (Power)

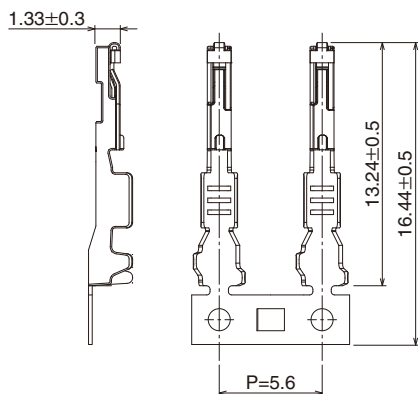


Part No.	HRS No.	Material	Finish	Core cable size	Outer Diameter	Sales Unit
HVH-280-1214PCF	778-0501-0	Copper Alloy	Tin plating	12 to 14 AWG 2.176 to 3.619mm ²	φ3.6 to 4.4	1 Reel (2,000 rolls)

Note 1 : The core cable cross-sectional area is a reference value. Please reference it when selecting electrical wires. Contact a Hirose sales representative for cross-section areas of cables other than those listed above.

Note 2 : Please contact a Hirose sales representative regarding whether crimping tools made by other companies can be used.

■ Plug detection crimp terminal (Signal)

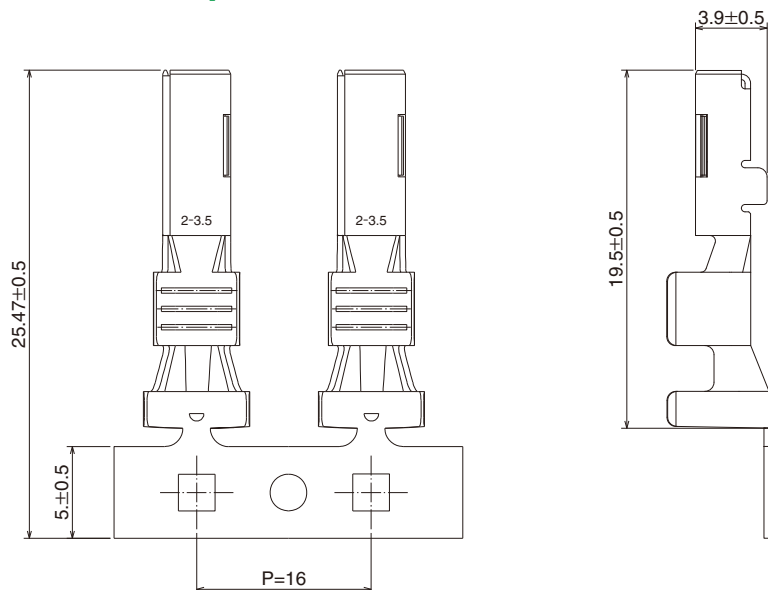


Part No.	HRS No.	Material	Finish	Core cable size	Outer Diameter	Sales Unit
ZE05-2022SCF	752-2001-0	Copper alloy	Tin plating	20 to 22 AWG 0.35 to 0.517mm ²	φ1.5	1 Reel (10,000 rolls)

Note 1 : The core cable cross-sectional area is a reference value. Please reference it when selecting electrical wires. Contact a Hirose sales representative for cross-section areas of cables other than those listed above.

Note 2 : Please contact a Hirose sales representative regarding whether crimping tools made by other companies can be used.

Socket crimp terminal

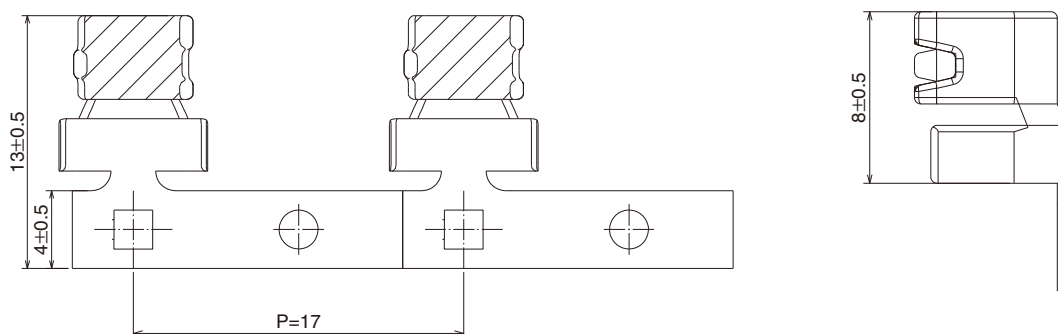


Part No.	HRS No.	Material	Finish	Core cable size	Outer Diameter	Sales Unit
HVH-280-1214SCF	778-0502-0	Copper alloy	Tin plating	12 to 14 AWG 2.176 to 3.619mm ²	φ3.6 to 4.4	1 reel (1,700 rolls)

Note 1 : The core cable cross-sectional area is a reference value. Please reference it when selecting electrical wires. Contact a Hirose sales representative for cross-section areas of cables other than those listed above.

Note 2 : Please contact a Hirose sales representative regarding whether crimping tools made by other companies can be used.

Ground crimp terminal for socket



Part No.	HRS No.	Material	Finish	Braided Outside Diameter	Outer Diameter	Sales Unit
HVH-280-4.2CF	778-0503-0	Copper alloy	Tin plating	Approx φ4.3	φ5.0 to 5.4	1 reel (1,400 rolls)

Note 1 : Please contact a Hirose representative regarding the use of cables other than the sizes listed above.

Note 2 : Please contact a Hirose sales representative regarding whether crimping tools made by other companies can be used.

Applicable Adapter Tool

Type	Part No.	HRS No.	Applicable contact
Applicator	AP105-HVH-280-1214P	901-5245-0	HVH-280-1214PCF
	AP105-HVH-280-1214S	901-5244-0	HVH-280-1214SCF
	AP105-HVH-280-4.2CF	901-5246-0	HVH-280-4.2CF
	AP105-ZE05-2022S	901-5239-0	ZE05-2022SCF
Extraction tool	HVH-280-ZE05/RE-MD	902-5158-0	ZE05-2022SCF

Note 1 : Please use a press machine of 2t or more.

Note 2 : Please contact a Hirose sales representative regarding whether crimping tools made by other companies can be used.

Note 3 : Crimping work shall be conducted in accordance with the "Crimping Standard" and "Crimping Conditions Table".

◆ How to Extract the Terminal

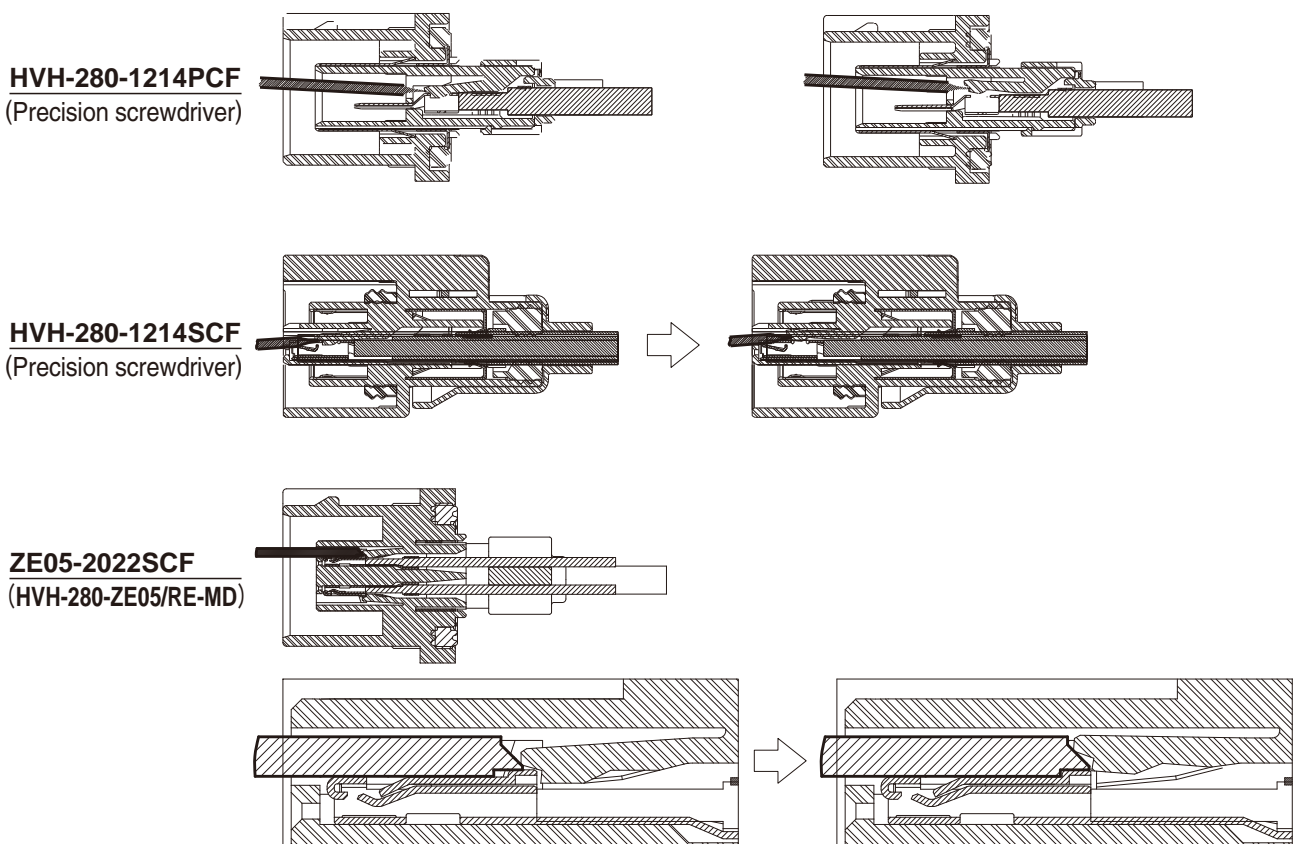
- Terminal extraction tools : Precision screwdriver (flathead screwdriver), HVH-280-ZE05/RE-MD
- Applicable crimp terminals : HVH-280-1214 PCF, HVH-280-1214SCF, ZE05-2022SCF
- Operation Method

• Repair Method

To repair, press the mold lance with the terminal extraction tool in the direction shown in the diagram below. While pressing extract the terminal. Make sure not to deform the terminal lock part or contact part.

Caution : Do not push the terminal locking part or contact. It may lead to deformation or damage to the housing and other parts. When damaged, please replace it with a new one.

Housing cross-section diagram



◆ Usage Precautions

1. Pulling out the connector with force may result in damage. If it is difficult to pull out, lightly push it once and then operate the lock to pull it out.
2. When inserting or extracting the terminal, always disconnect from the power source first.
3. Do not touch the terminals while the power is on since it is very dangerous.
4. Contact a sales representative for harness instructions and handling manuals.
5. Do not perform insertion or extraction with a live wire. (Live wire insertion/extraction refers to inserting/extracting while electricity is running)

◆ Usage Environment

Please consult with your Hirose Electric sales representative if your system environmental conditions repeat high and low temperatures.

USA:

HIROSE ELECTRIC (U.S.A.), INC. HEADQUARTERS CHICAGO OFFICE
2300 Warrenville Road, Suite 150,
Downers Grove, IL 60515
Phone : +1-630-282-6700
<http://www.hirose.com/us/>

USA:

HIROSE ELECTRIC (U.S.A.), INC. SAN JOSE OFFICE
2841 Junction Ave, Suite 200
San Jose, CA. 95134
Phone : +1-408-253-9640
Fax : +1-408-253-9641
<http://www.hirose.com/us/>

USA:

HIROSE ELECTRIC (U.S.A.), INC. DETROIT OFFICE (AUTOMOTIVE)
17197 N. Laurel Park Drive, Suite 253,
Livonia, MI 48152
Phone : +1-734-542-9963
Fax : +1-734-542-9964
<http://www.hirose.com/us/>

USA:

HIROSE ELECTRIC (U.S.A.), INC. BOSTON OFFICE
300 Brickstone Square Suite 201,
Andover, MA 01810
Phone : +1-978-662-5255

THE NETHERLANDS:

HIROSE ELECTRIC EUROPE B.V.
Hogehillweg #8 1101 CC Amsterdam Z-0
Phone : +31-20-6557460
Fax : +31-20-6557469
<http://www.hirose.com/eu/>

GERMANY:

HIROSE ELECTRIC EUROPE B.V. GERMAN BRANCH
Schoenbergstr. 20, 73760 ostfildern
Phone : +49-711-456002-1
Fax : +49-711-456002-299
<http://www.hirose.com/eu/>

GERMANY:

HIROSE ELECTRIC EUROPE B.V. NUREMBERG OFFICE
Neumeyerstrasse 22-26, 90411 Nurnberg
Phone : +49-911 32 68 89 63
Fax : +49-911 32 68 89 69
<http://www.hirose.com/eu/>

GERMANY:

HIROSE ELECTRIC EUROPE B.V. HANOVER OFFICE
Bayernstr. 3, Haus C 30855 Langenhagen, Germany
Phone : +49-511 97 82 61 30
Fax : +49-511 97 82 61 35
<http://www.hirose.com/eu/>

FRANCE:

HIROSE ELECTRIC EUROPE B.V. PARIS OFFICE
130 Avenue Joseph Kessel, Bat E, 78960
Voisins le Bretonneux, France
Phone : +33-1-85764886
Fax : +33-1-85764823
<http://www.hirose.com/eu/>

UNITED KINGDOM:

HIROSE ELECTRIC EUROPE BV (UK BRANCH)
4 Newton Court, Kelvin Drive, Knowlhill,
Milton Keynes, MK5 8NH
Phone : +44-1908 202050
Fax : +44-1908 202058
<http://www.hirose.com/eu/>

CHINA:

HIROSE ELECTRIC (CHINA) CO., LTD. (SHANGHAI, HEADQUARTERS)
18, Enterprise Center Tower 2, 209# Gong He
Road, Jing'an District, Shanghai, CHINA 200070
Phone : +86-21-6391-3355
Fax : +86-21-6391-3335
<http://www.hirose.com/cn/>

CHINA:

HIROSE ELECTRIC (CHINA) CO.,LTD. BEIJING BRANCH
A1001, Ocean International Center, Building 56# East 4th
Ring Middle Road, ChaoYang District, Beijing, 100025
Phone : +86-10-5165-9332
Fax : +86-10-5908-1381
<http://www.hirose.com/cn/>

CHINA:

HIROSE ELECTRIC (CHINA) CO., LTD. SHENZHEN BRANCH
Room 09-13, 19/F, Office Tower Shun Hing Square, Di Wang Commercial Centre,
5002 Shen Nan Dong Road, Shenzhen City, Guangdong Province, 518008
Phone : +86-755-8207-0851
Fax : +86-755-8207-0873
<http://www.hirose.com/cn/>

HONG KONG:

HIROSE ELECTRIC HONGKONG TRADING CO., LTD.
Room 1001, West Wing, Tsim Sha Tsui Centre, 66
Mody Road, Tsim Sha Tsui East, Kowloon, Hong Kong
Phone : +852-2803-5338
Fax : +852-2591-6560
<http://www.hirose.com/hk/>

TAIWAN:

HIROSE ELECTRIC TAIWAN CO., LTD.
103 8F, No.87, Zhengzhou Rd., Taipei
Phone : +886-2-2555-7377
Fax : +886-2-2555-7355
<http://www.hirose.com/tw/>

KOREA:

HIROSE KOREA CO.,LTD.
143, Gongdan 1-daero, Siheung-si,
Gyeonggi-do, 15084, Korea
Phone : +82-31-496-7000
Fax : +82-31-496-7100
<http://www.hirose.co.kr/>

SINGAPORE:

HIROSE ELECTRIC SINGAPORE PTE. LTD.
03, Anson Road, #20-01, Springleaf Tower,
Singapore 079909
Phone : +65-6324-6113
Fax : +65-6324-6123
<http://www.hirose.com/sg/>

INDIA:

HIROSE ELECTRIC SINGAPORE PTE. LTD. DELHI LIAISON OFFICE
Office NO.552, Regus-Green Boulevard, Level5, Tower C,
Sec62, Plot B-9A, Block B, Noida, 201301, Uttar Pradesh, India
Phone : +91-12-660-8018
Fax : +91-120-4804949
<http://www.hirose.com/sg/>

INDIA:

HIROSE ELECTRIC SINGAPORE PTE. LTD. BANGALORE LIAISON OFFICE
Unit No-403, 4th Floor, No-84, Barton Centre, Mahatma
Gandhi (MG) Road, Bangalore 560 001, Karnataka, India
Phone : +91-80-4120 1907
Fax : +91-80-4120 9908
<http://www.hirose.com/sg/>

MALAYSIA:

PENANG REPRESENTATIVE OFFICE
73-3-1, Ideal@The One, Jalan Mahsuri, Bayan
Lepas Penang, 11950, Malaysia
Phone : +604-648-5536
<http://www.hirose.com/sg/>

THAILAND:

BANGKOK OFFICE (REPRESENTATIVE OFFICE)
Unit 4703, 47th FL., 1 Empire Tower, South Sathorn
Road, Yannawa, Sathorn, Bangkok 10120 Thailand
Phone : +66-2-686-1255
Fax : +66-2-686-3433
<http://www.hirose.com/sg/>



HIROSE ELECTRIC CO.,LTD.

2-6-3,Nakagawa Chuoh,Tsuzuki-Ku,Yokohama-Shi 224-8540,JAPAN
TEL: +81-45-620-3526 Fax: +81-45-591-3726
<http://www.hirose.com>
<http://www.hirose-connectors.com>