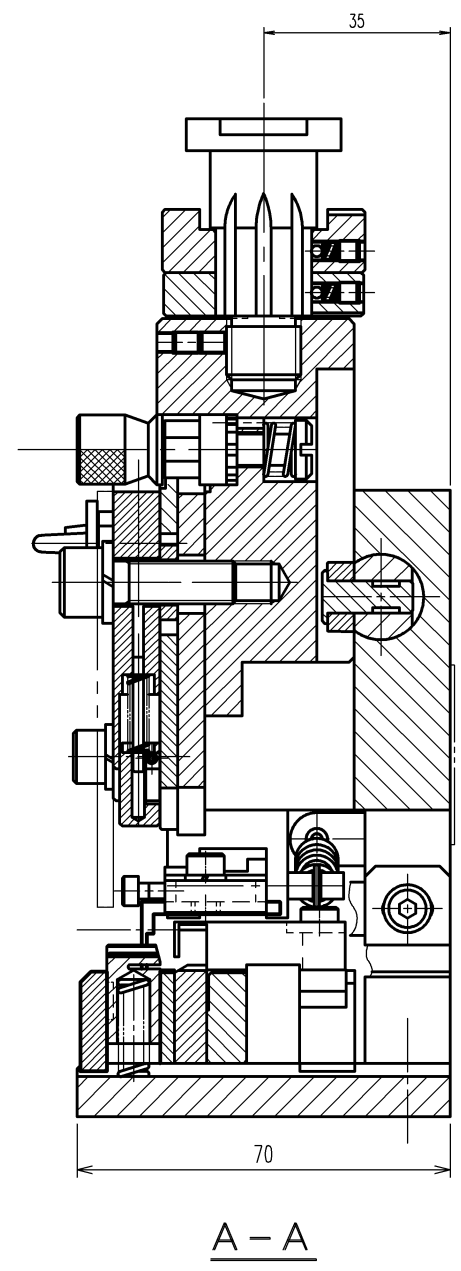
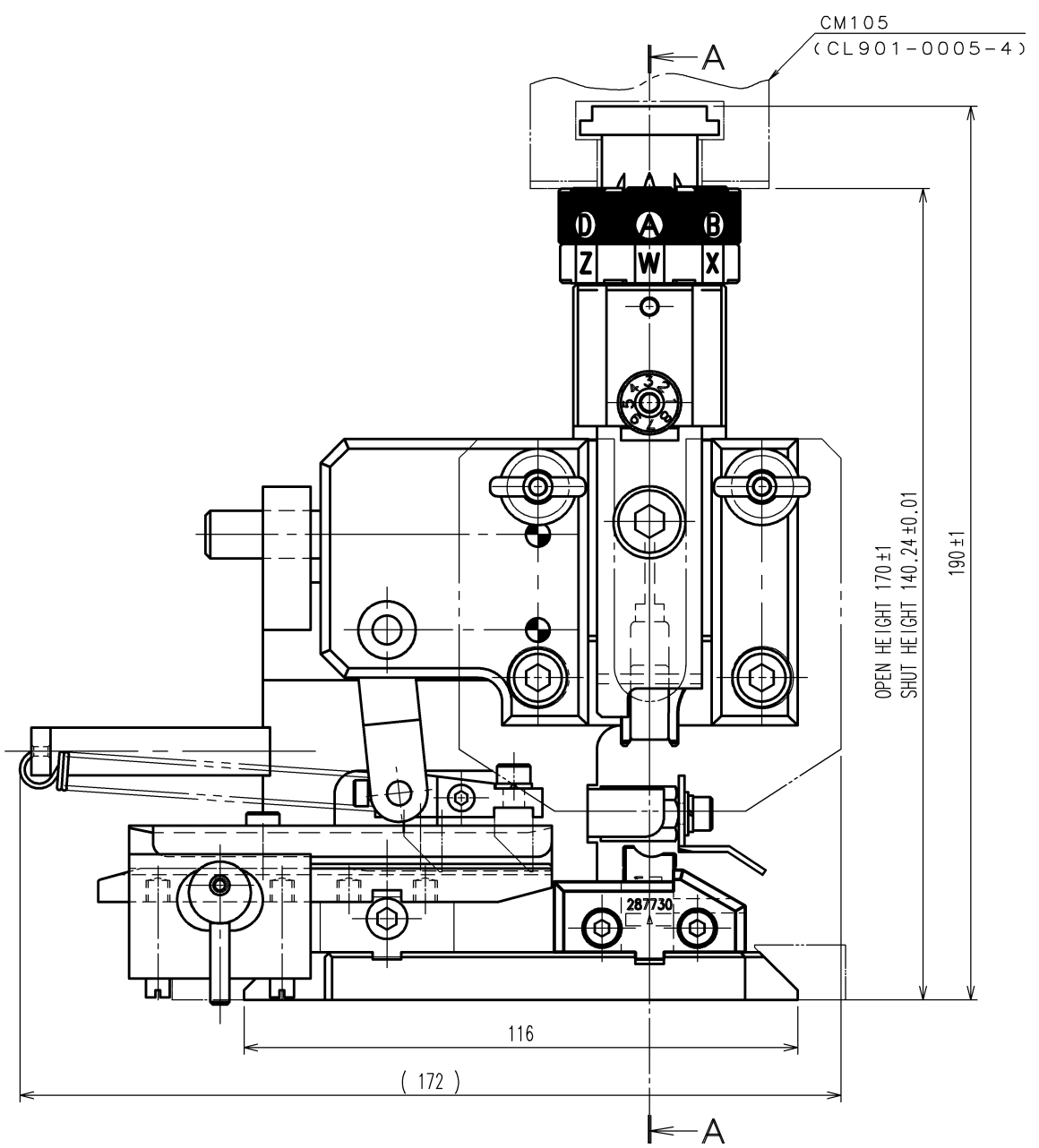


1 2 3 4 5 6 7 8

COUNT	DESCRIPTION OF REVISIONS	BY	CHKD	DATE	COUNT	DESCRIPTION OF REVISIONS	BY	CHKD	DATE
△				..	△				..
△				..	△				..
△				..	△				..

A  
B  
C  
D  
E  
F



Notes. 1 Contact of HVH-280-4.2CF(CL778-0503-0) is assembled for this tool.

TO  
PE

2			4		
1			3		
NO.	MATERIAL	FINISH, REMARKS	NO.	MATERIAL	FINISH, REMARKS
CODE NO. (OLD) CL			DRAWN	DESIGNED	CHECKED
			H.KUDO	M.TAKAHASHI	H.TOKUTA
			18.11.8	18.11.8	18.11.29
			APPROVED	RELEASED	
			T. ITO		..
			18.11.29		
DRAWING NO.			PART NO.		
EDC-285337-00-00			AP105-HVH-280-4.2CF		
SCALE FREE			CODE NO.		
UNITS mm			CL901-5246-0		
HRS HIROSE ELECTRIC CO., LTD			1/1		

1 2 3 4 5 6 7 8