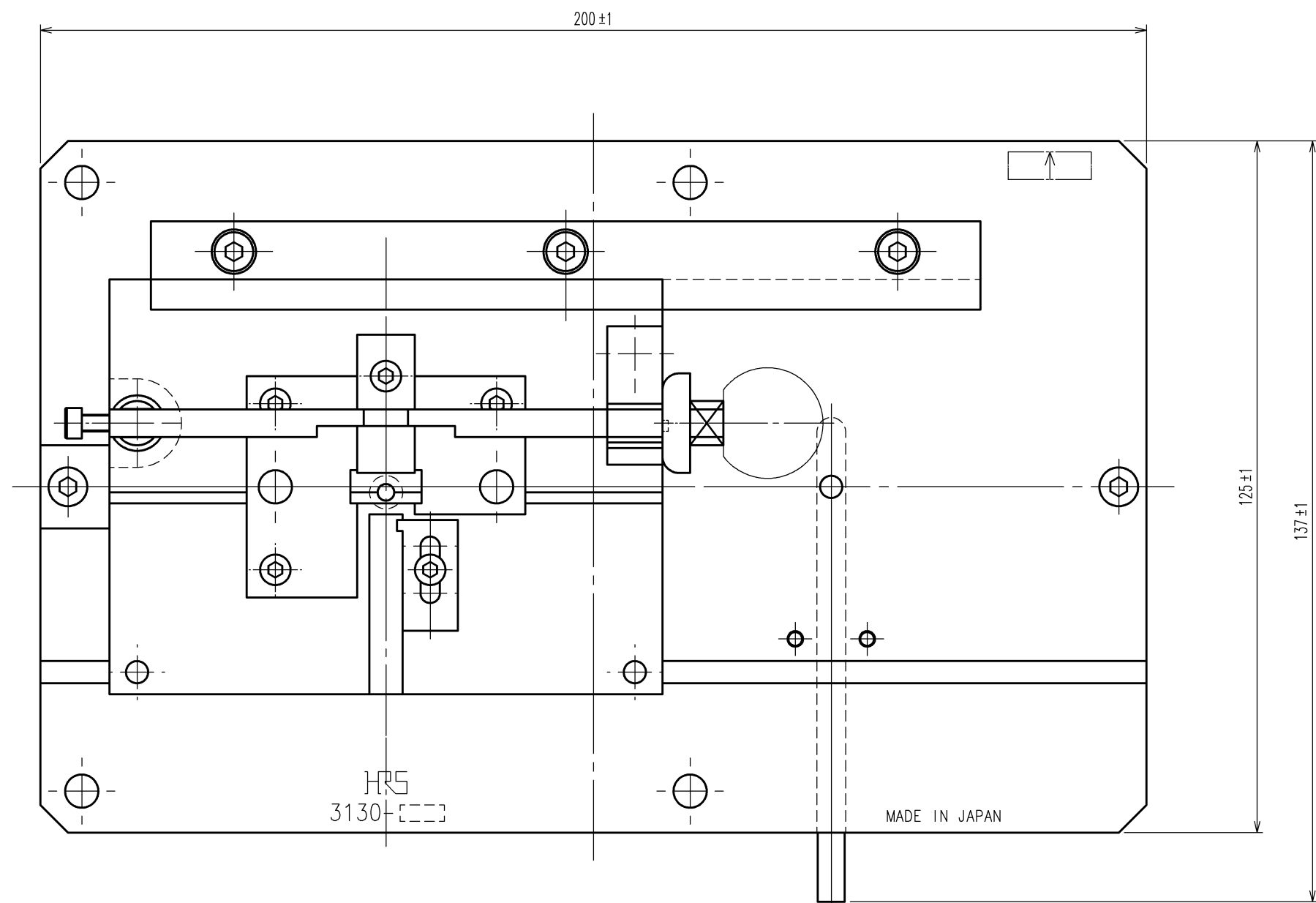


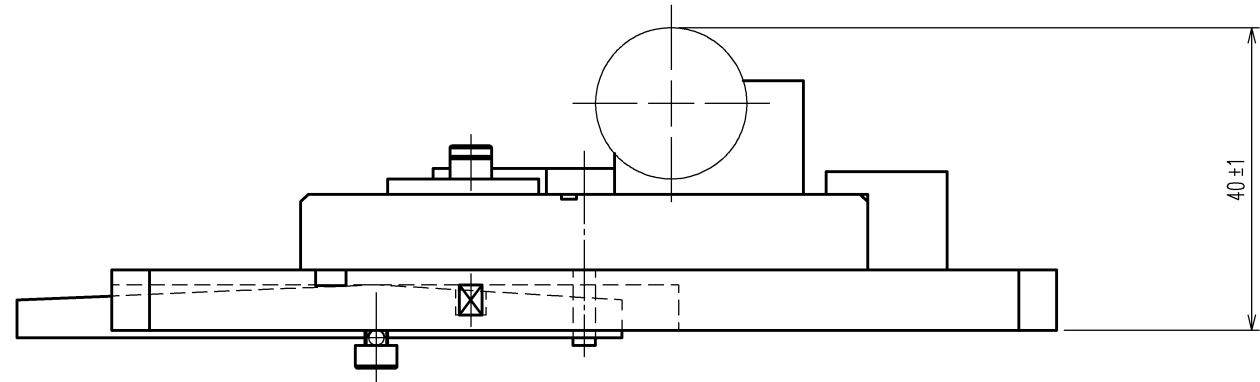
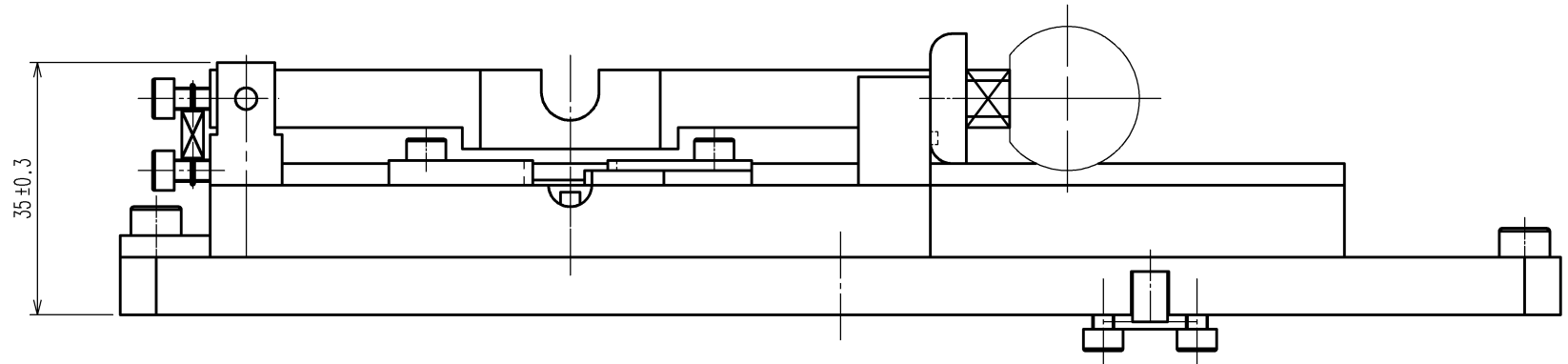
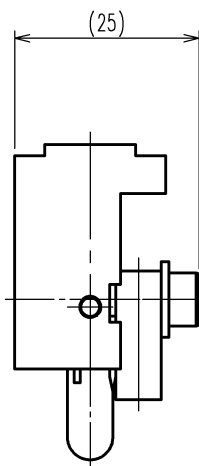
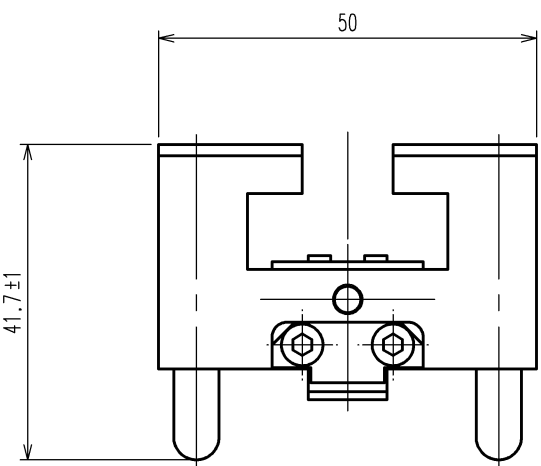
1 2 3 4 5 6 7 8 9 10 11

COUNT	DESCRIPTION OF REVISIONS	BY	CHKD	DATE	COUNT	DESCRIPTION OF REVISIONS	BY	CHKD	DATE
△				. .	△				. .
△				. .	△				. .
△				. .	△				. .

A
B
C
D
E
F
G
H



Notes 1.3130-8P-C(**) is assembled for this tool.



TO
PE

2			4		
1			3		
NO.	MATERIAL	FINISH, REMARKS	NO.	MATERIAL	FINISH, REMARKS
CODE NO. (OLD)			DRAWN	DESIGNED	CHECKED
CL			H. KUDO	H. YANAGISAWA	S. SKABE
			11.6.23	11.6.23	11.6.24
			APPROVED	RELEASED	
			S. SAKABE		
			11.6.24		
DRAWING NO. EDC2-080619			PART NO. 3130-8CT		
SCALE 1 : 1			CODE NO. CL902-0287-4		
UNITS mm			HRS HIROSE ELECTRIC CO., LTD.		

1 2 3 4 5 6 7 8 9 10 11 FORM NO. 230