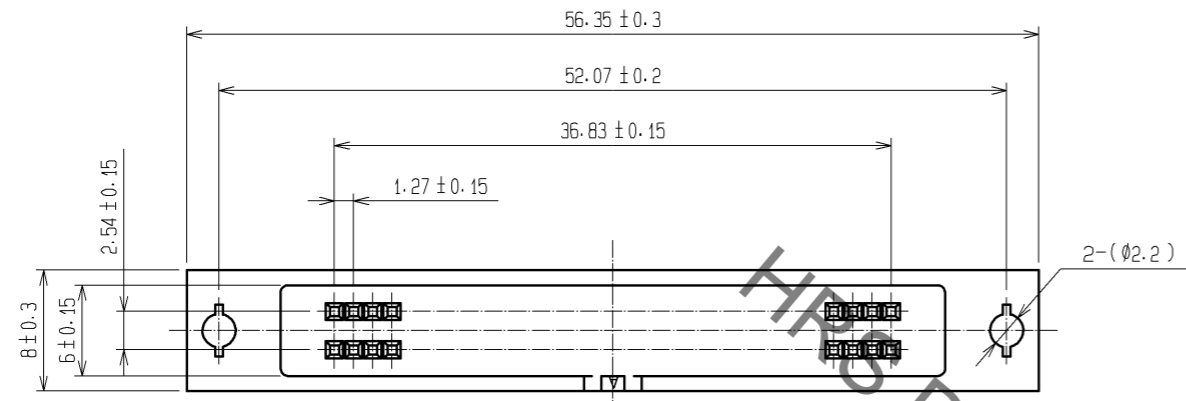
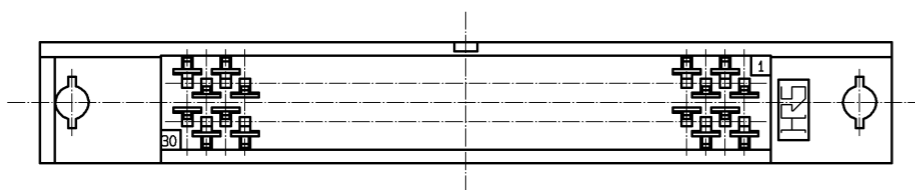
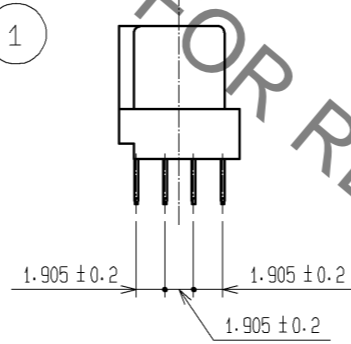
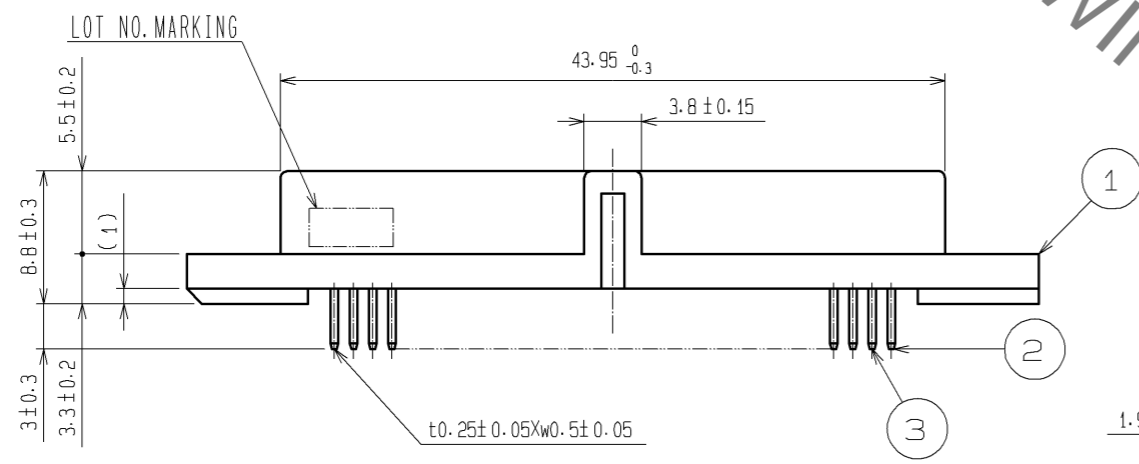
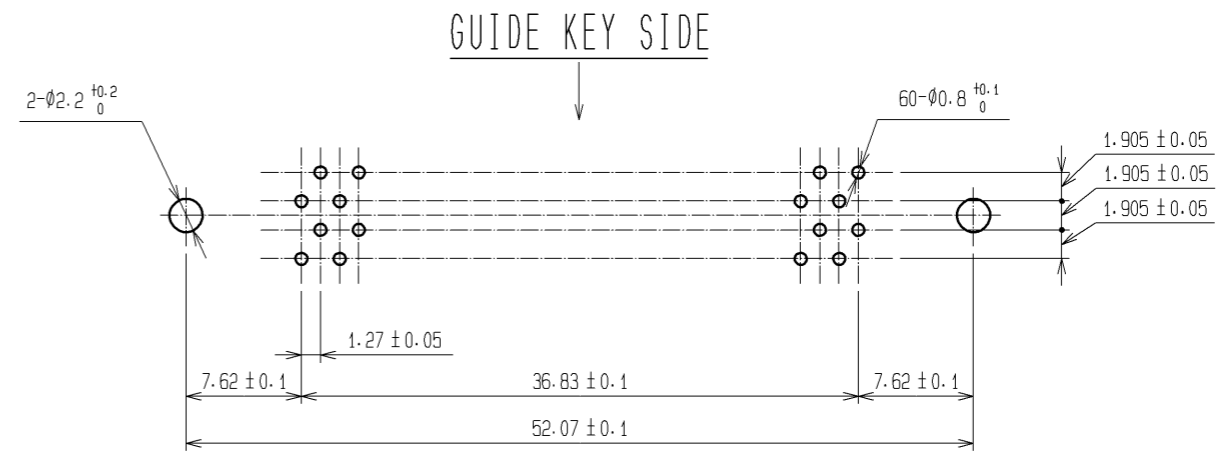


Oct.1.2022 Copyright 2022 HIROSE ELECTRIC CO., LTD. All Rights Reserved.  
 In case of consideration for using Automotive equipment / device which demand high reliability, kindly contact our sales window correspondents.



RECOMMENDED PC BOARD HOLE PATTERN  
(MOUNT SIDE)



NOTE 1. THE DIMENSIONS IN PARENTHESES ARE FOR REFERENCE.

1	PBT	BLACK UL94V-0	2.3	COPPER ALLOY	CONTACT AREA:GOLD 0.2µm min. DIP AREA:TIN-PLATING 2µm min. UNDER PLATING:NICKEL 2.5µm min.
NO.	MATERIAL	FINISH . REMARKS	NO.	MATERIAL	FINISH . REMARKS
UNITS mm		SCALE 2 : 1	COUNT 	DESCRIPTION OF REVISIONS	DESIGNED
<b>HRS</b> HIROSE ELECTRIC CO., LTD.		APPROVED : HS. OKAWA 08.03.24	CHECKED : HS. OZAWA 08.03.24	DESIGNED : KY. NAKAMURA 08.03.24	DRAWN : TP. MATSUMOTO 08.03.21
				DRAWING NO. EDC3-019045-21	
				PART NO. HIF6B-60DA-1. 27DSA(71)	
				CODE NO. CL631-0158-2-71	