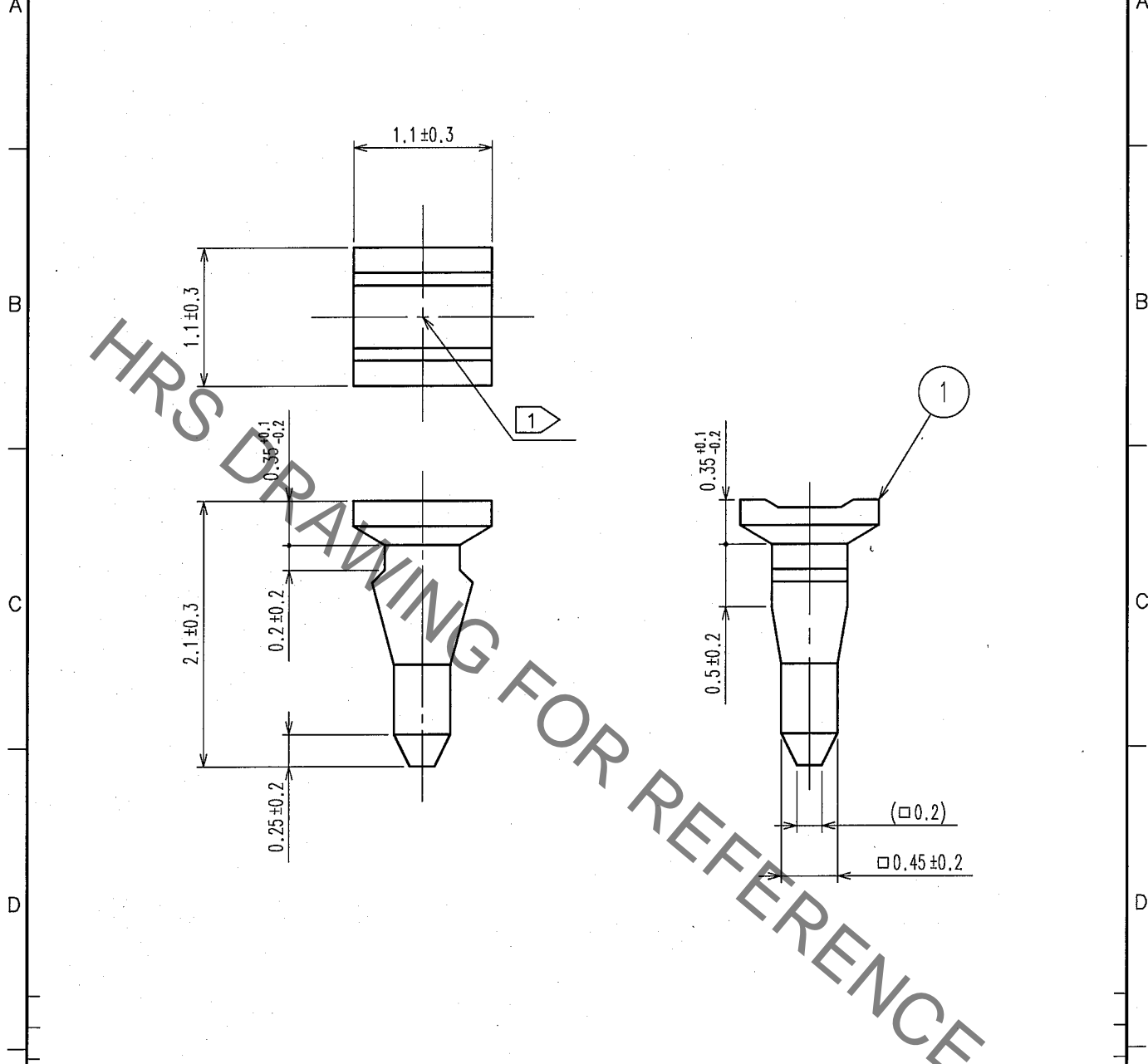


Mar. 1. 2023 Copyright 2023 HIROSE ELECTRIC CO., LTD. All Rights Reserved.
 In case of consideration for using Automotive equipment / device which demand high reliability, kindly contact our sales window correspondents.

1	2		3		4				
COUNT	DESCRIPTION OF REVISIONS	BY	CHKD	DATE	COUNT	DESCRIPTION OF REVISIONS	BY	CHKD	DATE
△				..	△				..
△				..	△				..
△				..	△				..



NOTE 1 THIS PRODUCT IS PROVIDED IN A SET OF 10 PIECES IN CONJUNCTION WITH A RUNNER. THE UNIT FOR SALE CONSISTS OF 10 SETS, WHICH ARE INCLUDED IN ONE PACK.

NO. 1		MATERIAL POLYACETAL		FINISH, REMARKS WHITE		
NO. 1		MATERIAL POLYACETAL		FINISH, REMARKS WHITE		
CODE NO. (OLD) CL		DRAWN A. SUZUKAWA 06.10.16	DESIGNED <i>K. Nakamura</i> 06.10.17	CHECKED <i>J. Ozawa</i> 06.10.17	APPROVED <i>H. Okawa</i> 06.10.17	RELEASED
DRAWING NO. EDC4-021374		PART NO. A3-GP IN(A)				
SACLE 20:1		CODE NO. CL621-0178-2		1/1		
UNITS mm		HRS HIROSE ELECTRIC CO., LTD.		FORM NO. 228		

TO

