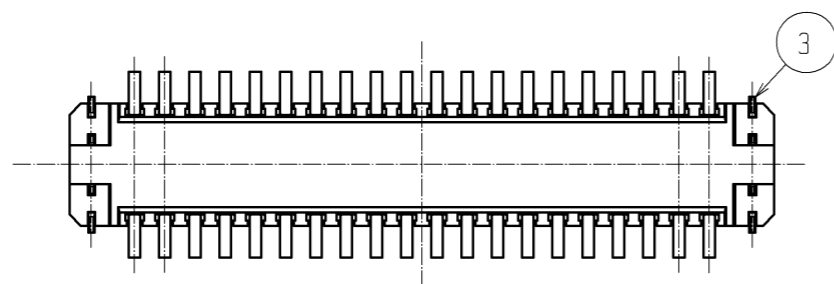
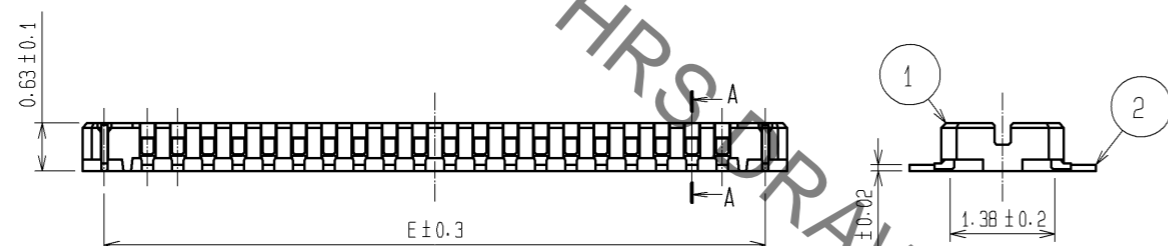
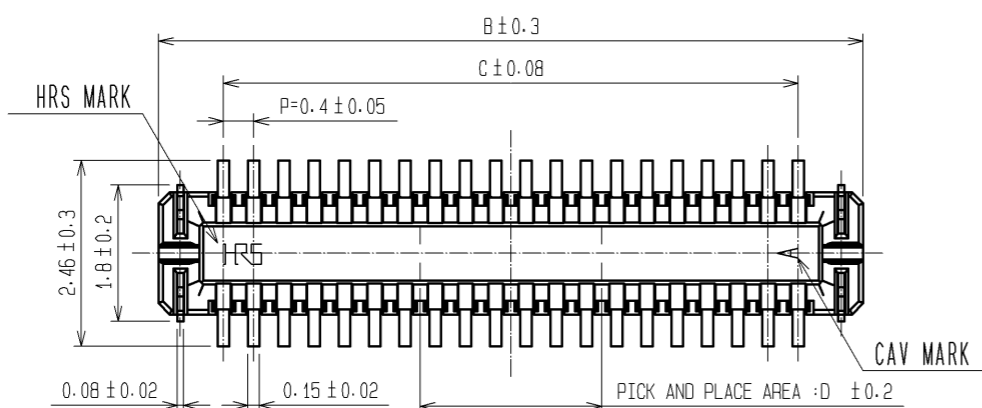
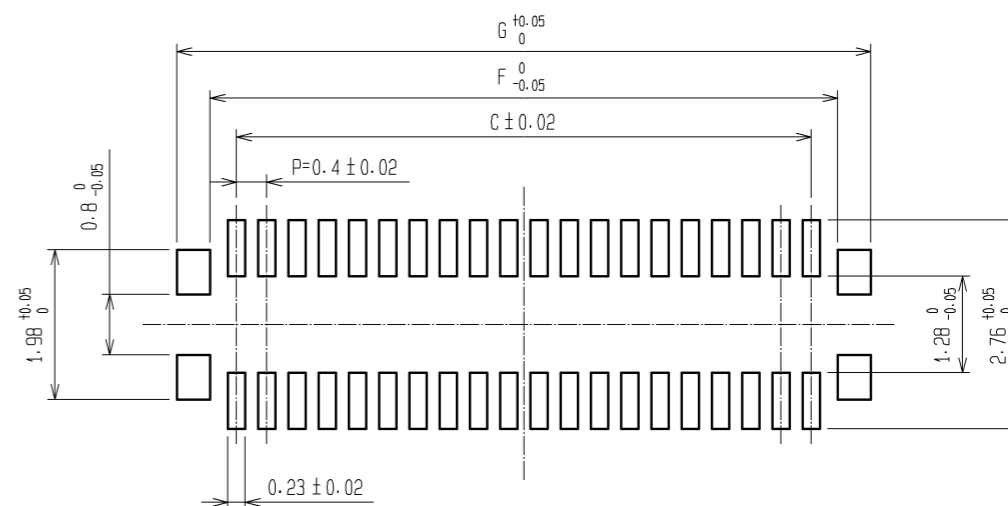


Nov.1.2019 Copyright 2019 HIROSE ELECTRIC CO., LTD. All Rights Reserved.
In case of consideration for using Automotive equipment / device which demand high reliability, kindly contact our sales window correspondents.

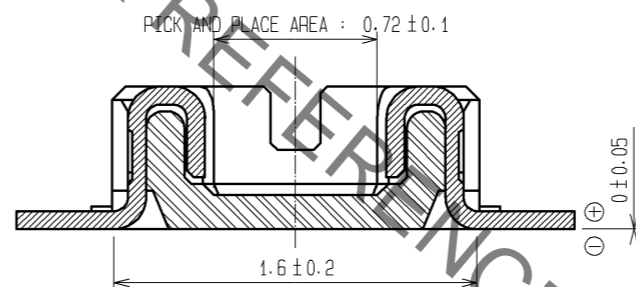


RECOMMENDED PATTERN

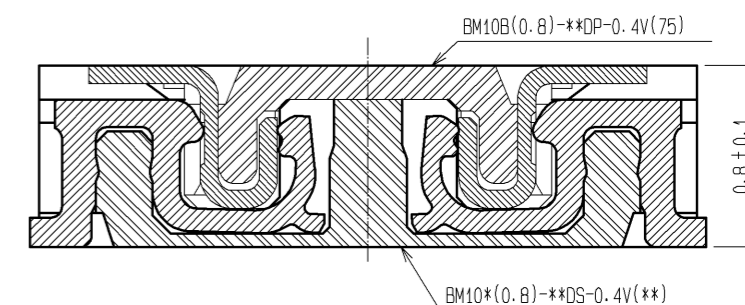


RECOMMENDED SOLDER PASTE : THICKNESS 120μm
RECOMMENDED METAL MASK OPENING RATIO : 100%

A-A



ENGAGEMENT FIGURE



NOTE 1. ALL LEADS CO-PLANARITY SHALL BE 0.1 MAX.
2. PER REEL : 8000 CONNECTORS.
3. AT THE BEGINNING OF THE REEL, 100 mm AT MIN SHALL BE EMPTY POCKETS.
AT THE END OF THE REEL, 160 mm AT MIN SHALL BE EMPTY.

5 METAL HOLD DOWN PLATING SPECIFICATIONS.
MOUNTING AREA: GOLD 0.05μm MIN.
UNDERPLATING : NICKEL 1μm MIN.
6. PEEL FORCE OF COVER TAPE REFERS TO JIS C 0806.

7 PLEASE CONTACT US IN CASE YOU WILL MAKE DIFFERENT SETTINGS FROM OUR RECOMMENDATION.

4 CONTACT PLATING SPECIFICATIONS.
CONTACT AREA : GOLD 0.1μm MIN.
SMT LEAD : GOLD 0.05μm MIN.
UNDERPLATING : NICKEL 1μm MIN.
(SURFACE : SEALING)

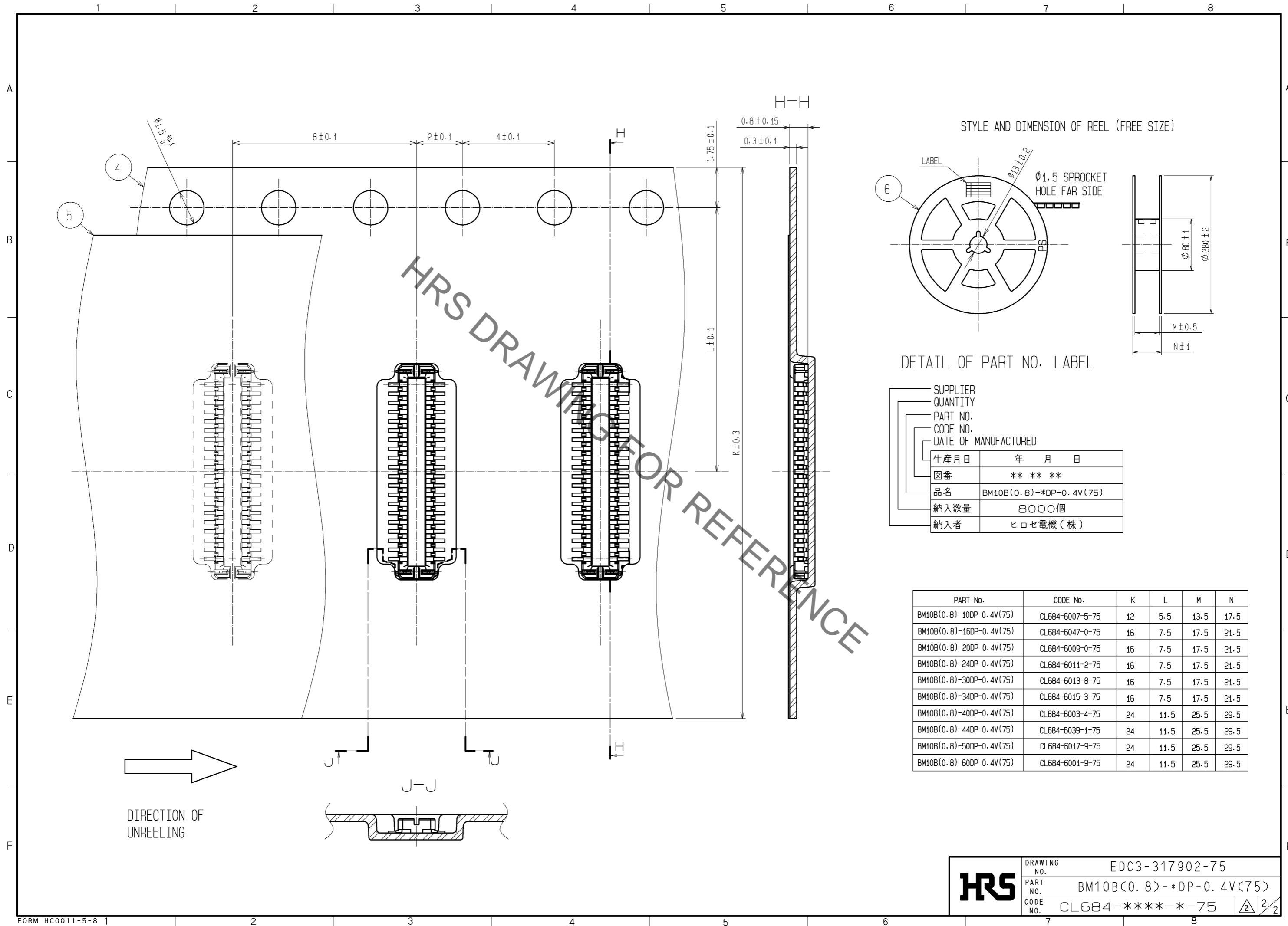
PART No.	CODE No.	B	C	D	E	F	G
BM10B(0.8)-10DP-0.4V(75)	CL684-6007-5-75	3.32	1.6	0.8	2.74	2.3	3.18
BM10B(0.8)-16DP-0.4V(75)	CL684-6047-0-75	4.52	2.8	1.6	3.94	3.5	4.38
BM10B(0.8)-20DP-0.4V(75)	CL684-6009-0-75	5.32	3.6	1.6	4.74	4.3	5.18
BM10B(0.8)-24DP-0.4V(75)	CL684-6011-2-75	6.12	4.4	2.0	5.54	5.1	5.98
BM10B(0.8)-30DP-0.4V(75)	CL684-6013-8-75	7.32	5.6	2.0	6.74	6.3	7.18
BM10B(0.8)-34DP-0.4V(75)	CL684-6015-3-75	8.12	6.4	2.4	7.54	7.1	7.98
BM10B(0.8)-40DP-0.4V(75)	CL684-6003-4-75	9.32	7.6	2.4	8.74	8.3	9.18
BM10B(0.8)-44DP-0.4V(75)	CL684-6039-1-75	10.12	8.4	2.8	9.54	9.1	9.98
BM10B(0.8)-50DP-0.4V(75)	CL684-6017-9-75	11.32	9.6	2.8	10.74	10.3	11.18
BM10B(0.8)-60DP-0.4V(75)	CL684-6001-9-75	13.32	11.6	3.2	12.74	12.3	13.18

NO.	MATERIAL	FINISH	REMARKS	NO.	MATERIAL	FINISH	REMARKS
3	PHOSPHOR BRONZE	5		6	PS		PLASTIC REEL (BLACK)
2	PHOSPHOR BRONZE	4		5	POLYESTER		CLEAR (COVER TAPE)
1	LCP		UL94V-0, BLACK	4	PS		CLEAR (EMBOSSED CARRIER TAPE)

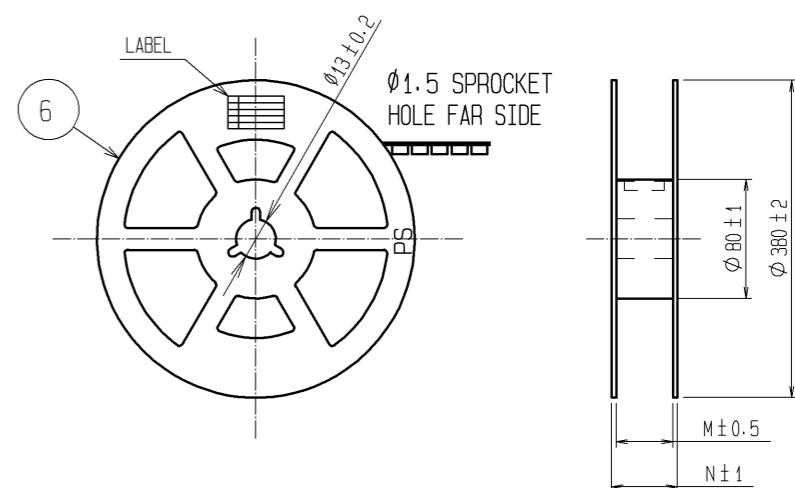
UNITS	SCALE	COUNT	DESCRIPTION OF REVISIONS	DESIGNED	CHECKED	DATE
mm	10 : 1	4	DIS-H-005402	KR. AJITO	TS. MIYAZAKI	10.12.16

APPROVED	DESIGNED	CHECKED	DRAWN	DRAWING NO.	PART NO.	CODE NO.
KH. IKEDA	NY. YAMASHIRO	TS. MIYAZAKI	NY. YAMASHIRO	EDC3-317902-75	BM10B(0.8)-*DP-0.4V(75)	CL684-****-*75

Nov.1.2019 Copyright 2019 HIROSE ELECTRIC CO., LTD. All Rights Reserved.
 In case of consideration for using Automotive equipment / device which demand high reliability, kindly contact our sales window correspondents.



STYLE AND DIMENSION OF REEL (FREE SIZE)



SUPPLIER
 QUANTITY
 PART NO.
 CODE NO.
 DATE OF MANUFACTURED

生産月日	年 月 日
図番	** ** *
品名	BM10B(0.8)-*DP-0.4V(75)
納入数量	8000個
納入者	ヒロセ電機(株)

PART No.	CODE No.	K	L	M	N
BM10B(0.8)-10DP-0.4V(75)	CL684-6007-5-75	12	5.5	13.5	17.5
BM10B(0.8)-16DP-0.4V(75)	CL684-6047-0-75	16	7.5	17.5	21.5
BM10B(0.8)-20DP-0.4V(75)	CL684-6009-0-75	16	7.5	17.5	21.5
BM10B(0.8)-24DP-0.4V(75)	CL684-6011-2-75	16	7.5	17.5	21.5
BM10B(0.8)-30DP-0.4V(75)	CL684-6013-8-75	16	7.5	17.5	21.5
BM10B(0.8)-34DP-0.4V(75)	CL684-6015-3-75	16	7.5	17.5	21.5
BM10B(0.8)-40DP-0.4V(75)	CL684-6003-4-75	24	11.5	25.5	29.5
BM10B(0.8)-44DP-0.4V(75)	CL684-6039-1-75	24	11.5	25.5	29.5
BM10B(0.8)-50DP-0.4V(75)	CL684-6017-9-75	24	11.5	25.5	29.5
BM10B(0.8)-60DP-0.4V(75)	CL684-6001-9-75	24	11.5	25.5	29.5

➔
 DIRECTION OF UNREELING

HRS	DRAWING NO.	EDC3-317902-75	
	PART NO.	BM10B(0.8)-*DP-0.4V(75)	
	CODE NO.	CL684-****-*-75	2/2