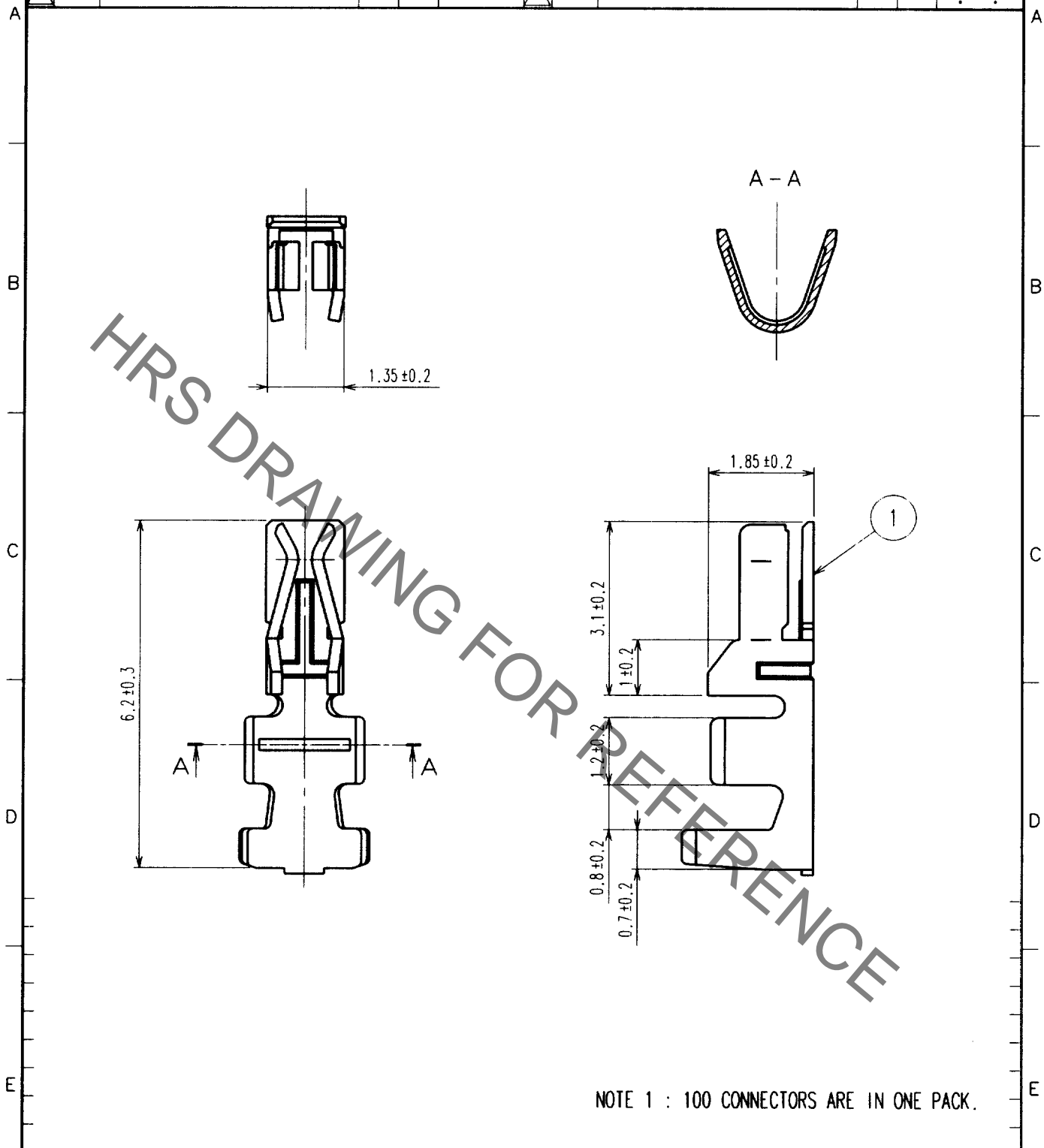


Sep.1.2019 Copyright 2019 HIROSE ELECTRIC CO., LTD. All Rights Reserved.  
In case of consideration for using Automotive equipment / device which demand high reliability, kindly contact our sales window correspondents.

1		2			3			4		
COUNT	DESCRIPTION OF REVISIONS	BY	CHKD	DATE	COUNT	DESCRIPTION OF REVISIONS	BY	CHKD	DATE	
△					△					
△					△					
△					△					



NOTE 1 : 100 CONNECTORS ARE IN ONE PACK.

NO. 1		MATERIAL PHOSPHOR BRONZE		FINISH, REMARKS TIN PLATED	
CODE NO. (OLD)		DRAWN S.Hara		DESIGNED F.Osai	
		'00. 2.21		'00. 3.24	
				CHECKED C.Hironami	
				'00. 3.31	
				APPROVED K.Katayose	
				'00. 4.13	
DRAWING NO. EDC4-081373		PART NO. DF11-22SC			
SACLE 10 : 1		CODE NO. CL543-0602-2		1/1	
UNITS mm		HRS HIROSE ELECTRIC CO.,LTD.		FORM NO.228	

TO