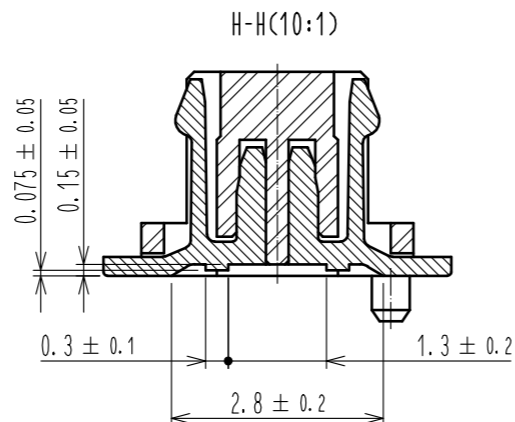
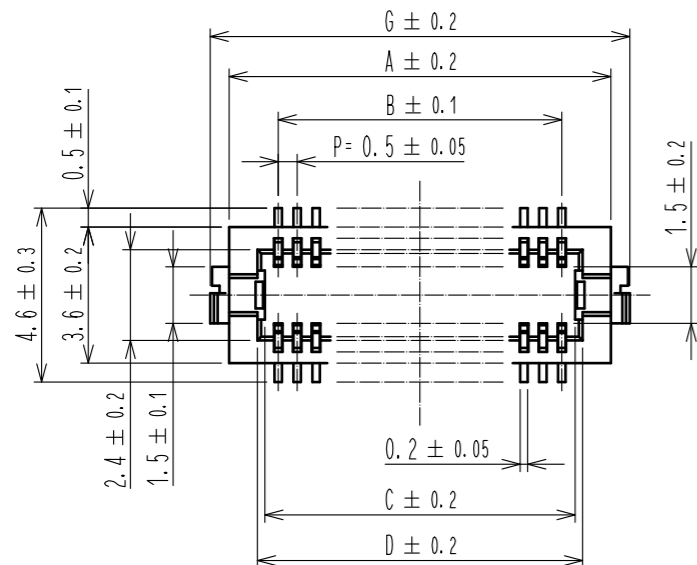
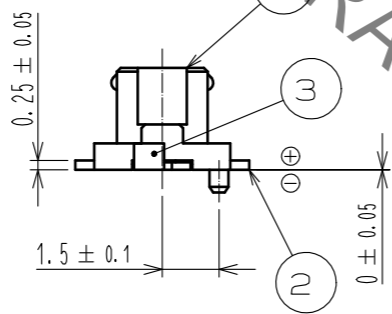
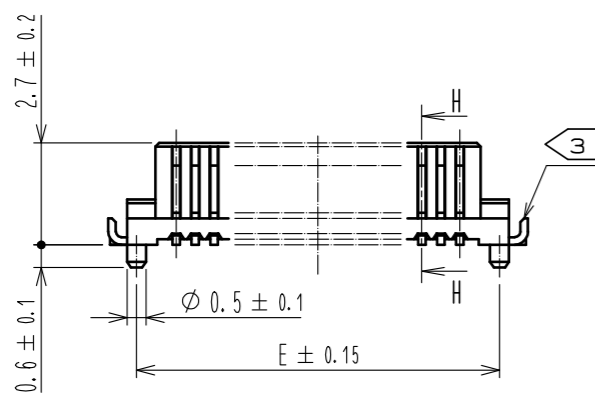


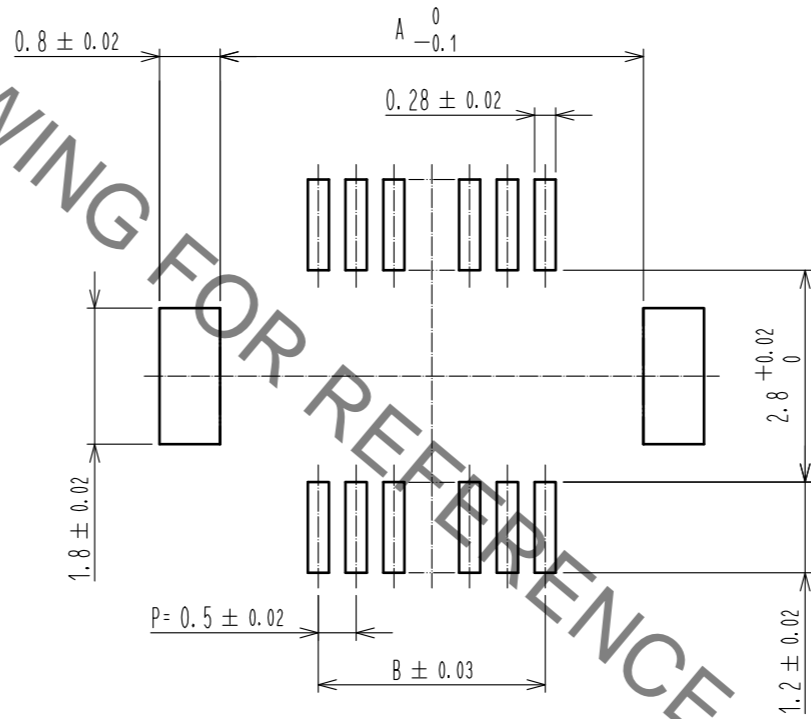
Apr.1.2019 Copyright 2019 HIROSE ELECTRIC CO., LTD. All Rights Reserved.
In case of consideration for using Automotive equipment / device which demand high reliability, kindly contact our sales window correspondents.



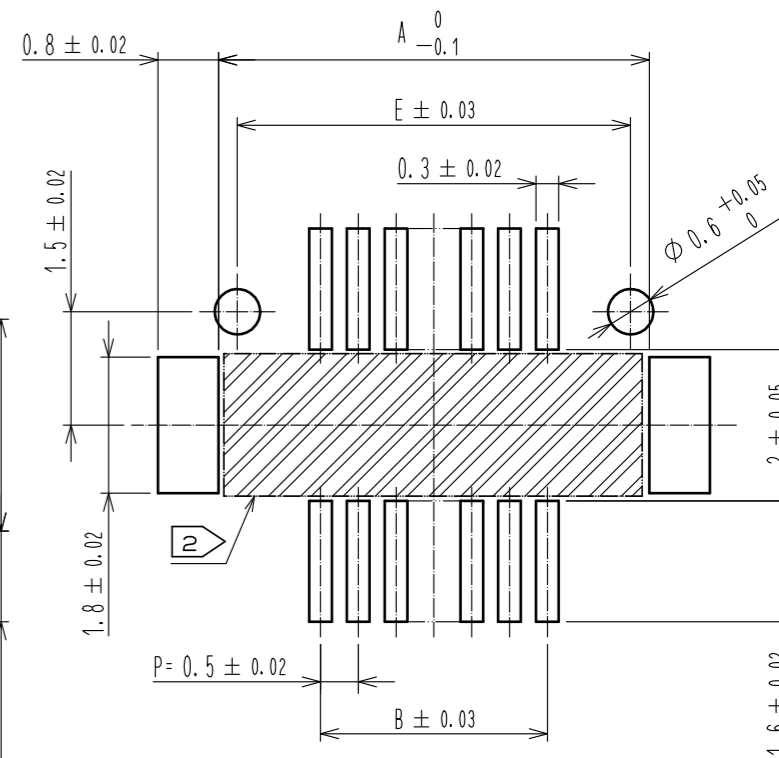
CODE No.	CONTACT	A	B	C	D	E	F	G
CL537-0003-6-86	20	7.1	4.5	5.2	5.6	6.6	5.3	8.1
CL537-0005-1-86	30	9.6	7.0	7.7	8.1	9.1	7.8	10.6
CL537-0012-7-86	32	10.1	7.5	8.2	8.6	9.6	8.3	11.1
CL537-0006-4-86	36	11.1	8.5	9.2	9.6	10.6	9.3	12.1
CL537-0007-7-86	40	12.1	9.5	10.2	10.6	11.6	10.3	13.1
CL537-0009-2-86	50	14.6	12.0	12.7	13.1	14.1	12.8	15.6
CL537-0011-4-86	60	17.1	14.5	15.2	15.6	16.6	15.3	18.1



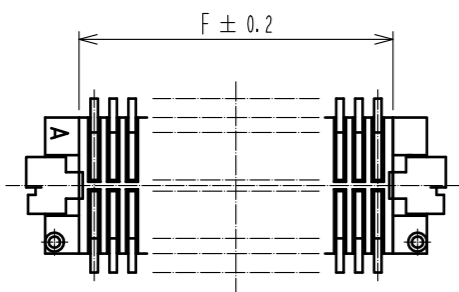
RECOMMEND METAL MASK PATTERN (10:1)



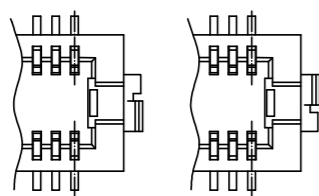
RECOMMENDED LAND PATTERN (10:1)



RECOMMENDED THICKNESS OF SOLDER PASTE : 120 μm



- NOTES 1 LEAD CO-PLANARITY SHALL BE 0.08 mm MAX.
 2 IF THERE IS PATTERN ON PART, THERE IS A POSSIBILITY THAT IT WILL MAKE CONTACT WITH THE LEADS.
 3 REINFORCED METAL FITTINGS AS FOLLOWS.

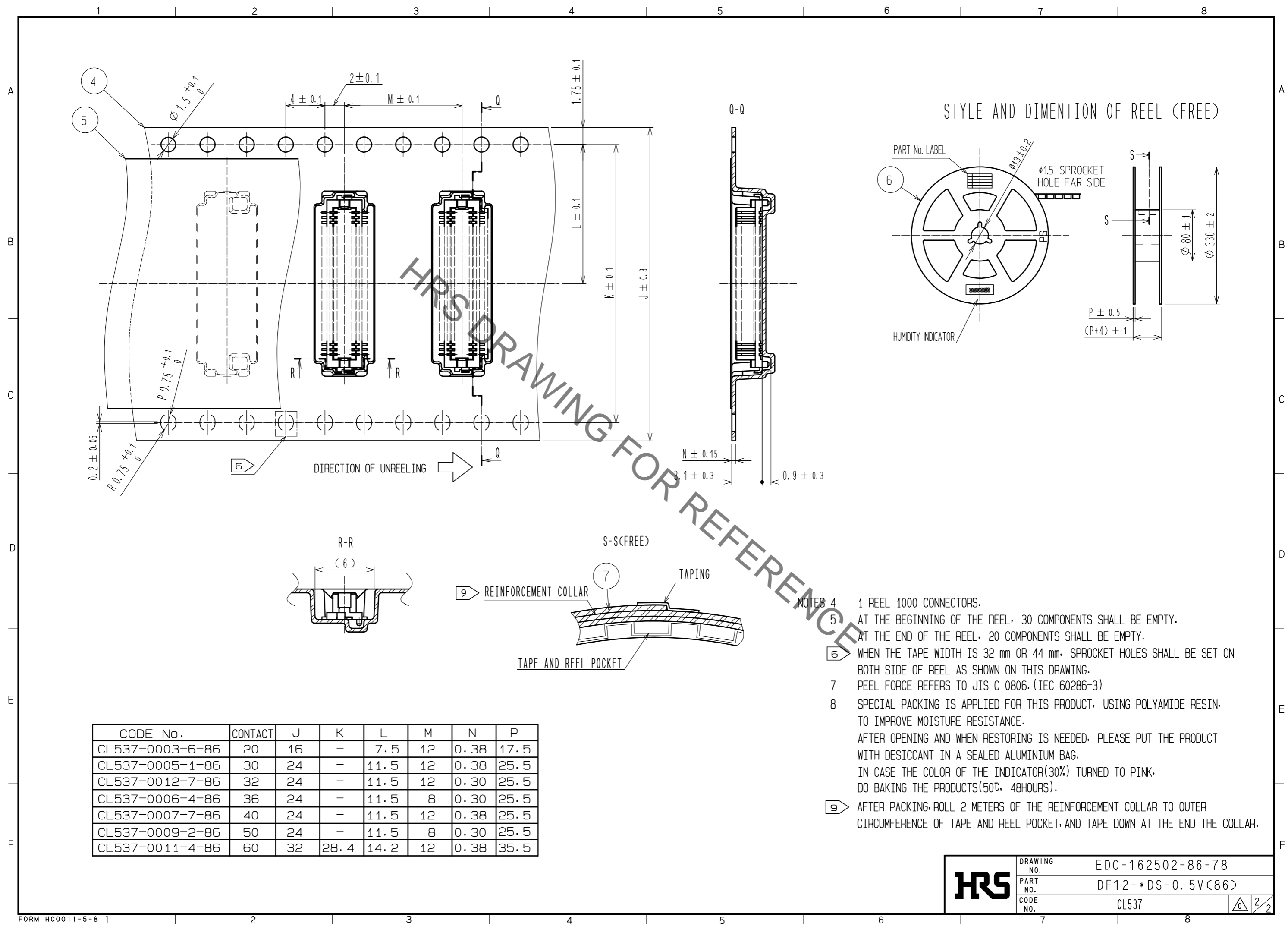


NO.	MATERIAL	FINISH . REMARKS	NO.	MATERIAL	FINISH . REMARKS
2	PHOSPHOR BRONZE	CONTACT AREA:GOLD PLATED 0.2μm min LEAD AREA:GOLD PLATED 0.015μm min OTHERS(UNDER PLATING):NICKEL PLATED 2μm min	7	PS	CLEAR (REINFORCEMENT COLLAR)
1	POLYAMIDE	UL94V-0 . NATURAL (BEIGE)	6	PS	BLACK (PLASTIC REEL)
			5	POLYESTER	CLEAR (COVER TAPE)
			4	PS	CLEAR (EMBOSSED CARRIER TAPE)
			3	BRASS	TIN PLATED 2μm min (UNDER PLATING):NICKEL 1μm min

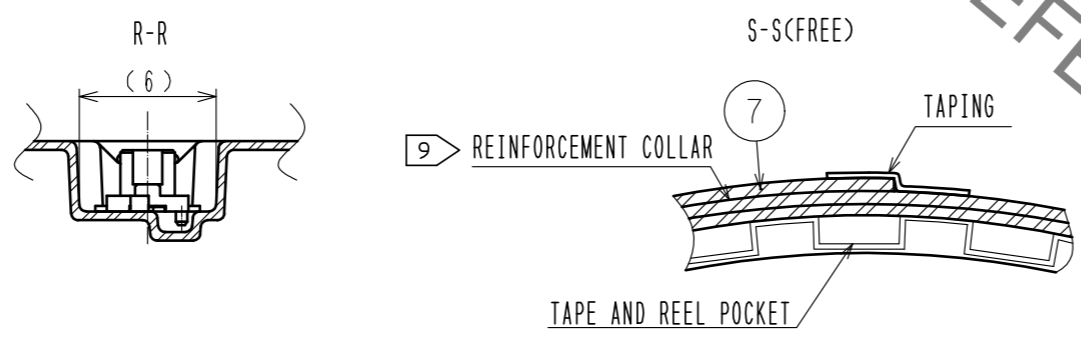
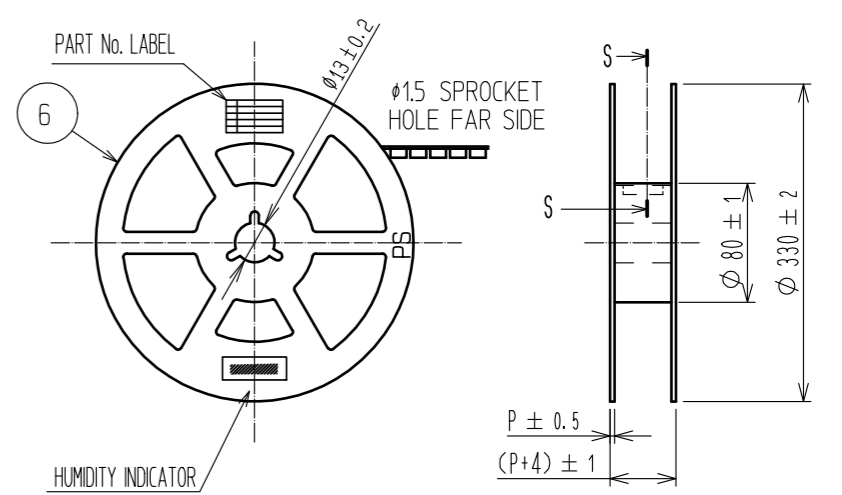
UNITS	SCALE	COUNT	DESCRIPTION OF REVISIONS	DESIGNED	CHECKED	DATE
mm	5 : 1	△				

APPROVED	: WR. FUKUCHI	20190409	DRAWING NO.	EDC-162502-86-78
CHECED	: WR. FUKUCHI	20190409	PART NO.	DF12- *DS-0.5V(86)
DESIGNED	: KT. KUSAKA	20190409	CODE NO.	CL537
DRAWN	: RN. IIDA	20190409		

Apr.1.2019 Copyright 2019 HIROSE ELECTRIC CO., LTD. All Rights Reserved.
 In case of consideration for using Automotive equipment / device which demand high reliability, kindly contact our sales window correspondents.



STYLE AND DIMENTION OF REEL (FREE)



CODE No.	CONTACT	J	K	L	M	N	P
CL537-0003-6-86	20	16	-	7.5	12	0.38	17.5
CL537-0005-1-86	30	24	-	11.5	12	0.38	25.5
CL537-0012-7-86	32	24	-	11.5	12	0.30	25.5
CL537-0006-4-86	36	24	-	11.5	8	0.30	25.5
CL537-0007-7-86	40	24	-	11.5	12	0.38	25.5
CL537-0009-2-86	50	24	-	11.5	8	0.30	25.5
CL537-0011-4-86	60	32	28.4	14.2	12	0.38	35.5

- NOTES
- 4 1 REEL 1000 CONNECTORS.
 - 5 AT THE BEGINNING OF THE REEL, 30 COMPONENTS SHALL BE EMPTY.
 AT THE END OF THE REEL, 20 COMPONENTS SHALL BE EMPTY.
 - 6 WHEN THE TAPE WIDTH IS 32 mm OR 44 mm, SPROCKET HOLES SHALL BE SET ON BOTH SIDE OF REEL AS SHOWN ON THIS DRAWING.
 - 7 PEEL FORCE REFERS TO JIS C 0806. (IEC 60286-3)
 - 8 SPECIAL PACKING IS APPLIED FOR THIS PRODUCT, USING POLYAMIDE RESIN TO IMPROVE MOISTURE RESISTANCE.
 AFTER OPENING AND WHEN RESTORING IS NEEDED, PLEASE PUT THE PRODUCT WITH DESICCANT IN A SEALED ALUMINIUM BAG.
 IN CASE THE COLOR OF THE INDICATOR(30%) TURNED TO PINK, DO BAKING THE PRODUCTS(50℃, 48HOURS).
 - 9 AFTER PACKING, ROLL 2 METERS OF THE REINFORCEMENT COLLAR TO OUTER CIRCUMFERENCE OF TAPE AND REEL POCKET, AND TAPE DOWN AT THE END THE COLLAR.

HRS	DRAWING NO.	EDC-162502-86-78
	PART NO.	DF12-*DS-0.5V(86)
	CODE NO.	CL537