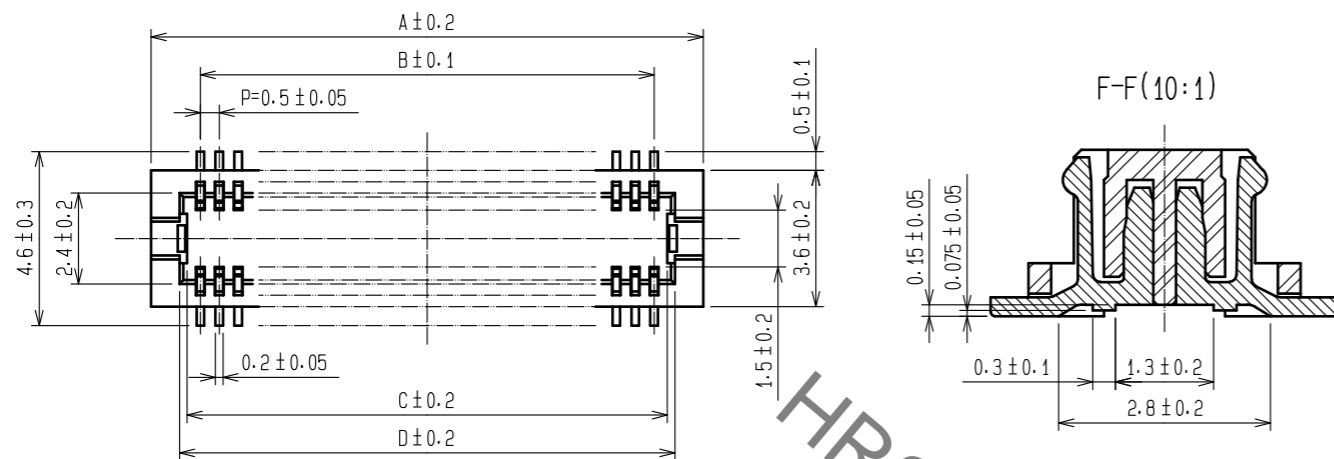
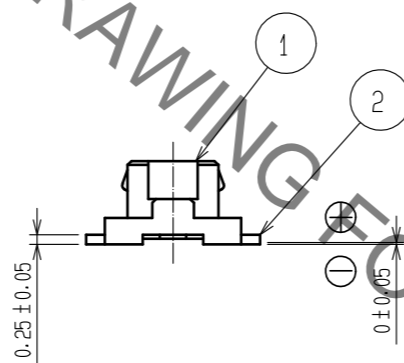
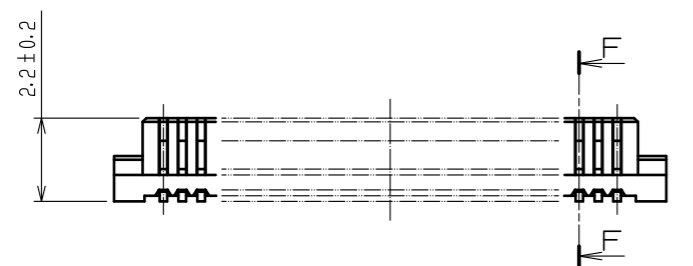


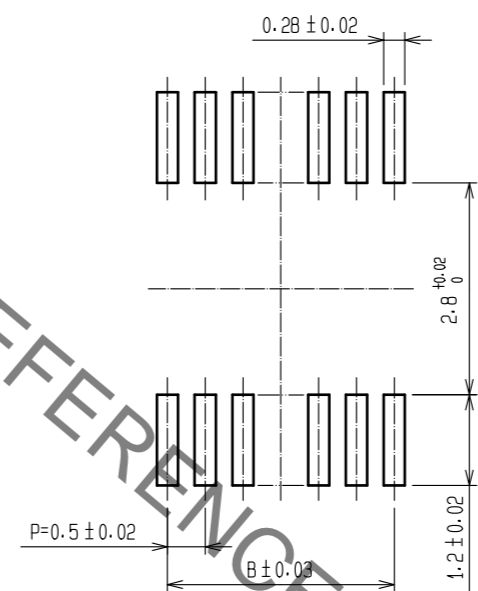
Aug.1.2021 Copyright 2021 HIROSE ELECTRIC CO., LTD. All Rights Reserved.  
In case of consideration for using Automotive equipment / device which demand high reliability, kindly contact our sales window correspondents.



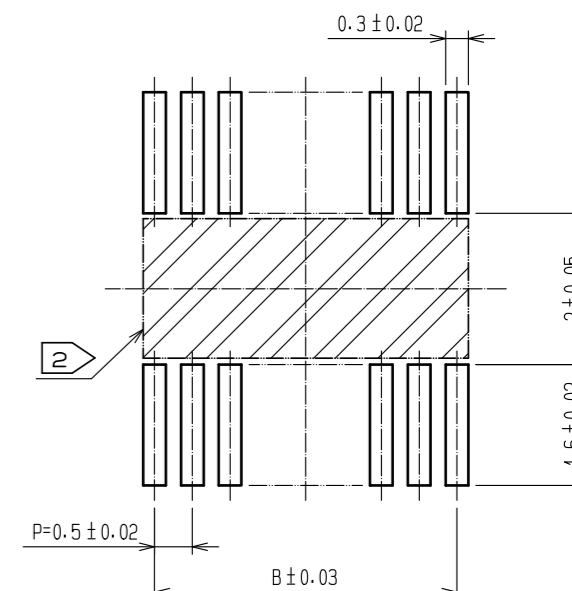
CODE No.	CONTACT	A	B	C	D	E
CL537-0191-0-51	10	4.6	2.0	2.7	3.1	2.8
CL537-0192-0-51	14	5.6	3.0	3.7	4.1	3.8
CL537-0193-0-51	20	7.1	4.5	5.2	5.6	5.3
CL537-0194-0-51	30	9.6	7.0	7.7	8.1	7.8
CL537-0195-0-51	32	10.1	7.5	8.2	8.6	8.3
CL537-0196-0-51	36	11.1	8.5	9.2	9.6	9.3
CL537-0197-0-51	40	12.1	9.5	10.2	10.6	10.3
CL537-0198-0-51	50	14.6	12.0	12.7	13.1	12.8
CL537-0199-0-51	60	17.1	14.5	15.2	15.6	15.3
CL537-0285-0-51	80	22.1	19.5	20.2	20.6	20.3



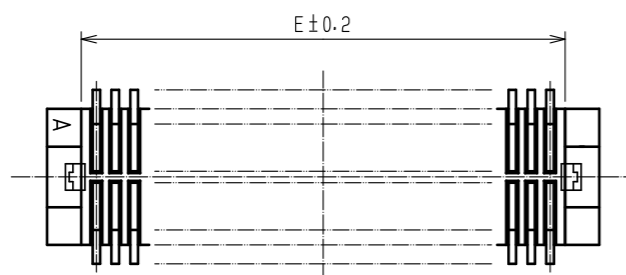
RECOMMENDED METAL MASK (10:1)



RECOMMENDED PATTERN(10:1)



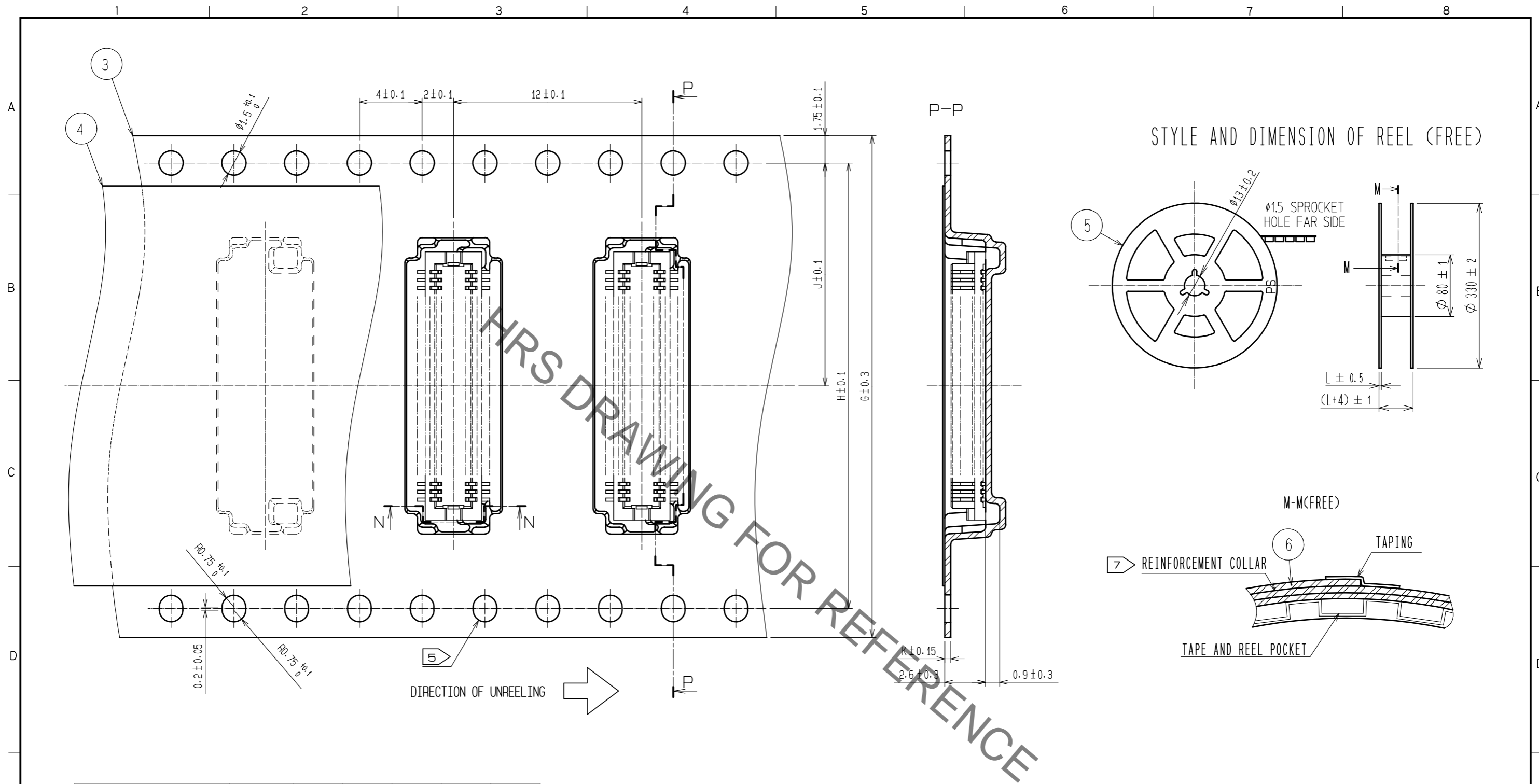
METAL MASK THICKNESS : 120 μm



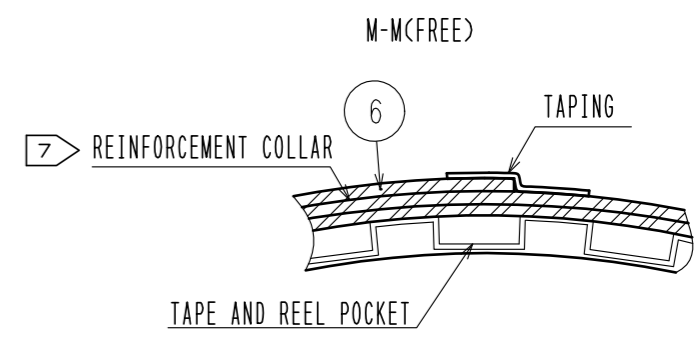
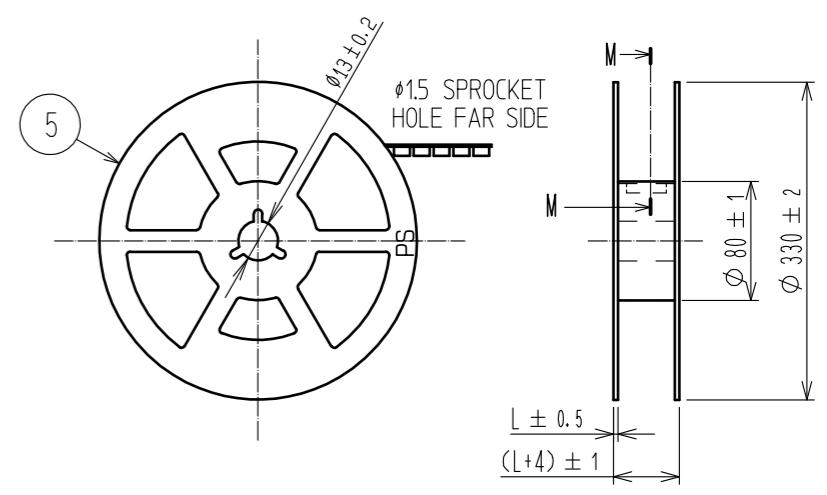
NOTES 1 LEAD CO-PLANARITY SHALL BE 0.08 mm MAX.  
2 IF THERE IS PATTERN ON PART, THERE IS A POSSIBILITY THAT IT WILL MAKE CONTACT WITH THE LEADS.

2	PHOSPHOR BRONZE	CONTACT AREA:GOLD PLATED 0.2μm min	6	PS	CLEAR (REINFORCEMENT COLLAR)			
		LEAD AREA:GOLD PLATED 0.015μm min	5	PS	BLACK (PLASTIC REEL)			
		OTHERS(UNDER PLATING):NICKEL PLATED 2μm min	4	POLYESTER	CLEAR (COVER TAPE)			
1	POLYAMIDE	UL94V-0-BLACK	3	PS	CLEAR (EMBOSSED CARRIER TAPE)			
NO.	MATERIAL	FINISH . REMARKS	NO.	MATERIAL	FINISH . REMARKS			
UNITS		SCALE	COUNT	DESCRIPTION OF REVISIONS		DESIGNED	CHECKED	DATE
mm		5 : 1	0					
<b>HRS</b> HIROSE ELECTRIC CO., LTD.		APPROVED : WR. FUKUCHI	20200702	DRAWING NO.		EDC-390688-51-77		
		CHECED : TS. MIYAZAKI	20200702	PART NO.		DF12NC(3.0)-*DS-0.5V(51)		
		DESIGNED : RN. IIDA	20200702	CODE NO.		CL537		
		DRAWN : RN. IIDA	20200702			1/2		

Aug.1.2021 Copyright 2021 HIROSE ELECTRIC CO., LTD. All Rights Reserved.  
 In case of consideration for using Automotive equipment / device which demand high reliability, kindly contact our sales window correspondents.

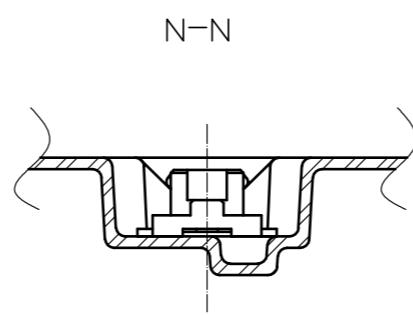


STYLE AND DIMENSION OF REEL (FREE)



CODE No.	CONTACT	G	H	J	K	L
CL537-0191-0-51	10	16	-	7.5	0.30	17.5
CL537-0192-0-51	14	16	-	7.5	0.30	17.5
CL537-0193-0-51	20	16	-	7.5	0.38	17.5
CL537-0194-0-51	30	24	-	11.5	0.38	25.5
CL537-0195-0-51	32	24	-	11.5	0.30	25.5
CL537-0196-0-51	36	24	-	11.5	0.38	25.5
CL537-0197-0-51	40	24	-	11.5	0.38	25.5
CL537-0198-0-51	50	24	-	11.5	0.38	25.5
CL537-0199-0-51	60	32	28.4	14.2	0.38	33.5
CL537-0285-0-51	80	44	40.4	20.2	0.38	45.5

- NOTES
- 3 1 REEL 1000 CONNECTORS.
  - 4 AT THE BEGINNING OF THE REEL, 30 COMPONENTS SHALL BE EMPTY.  
AT THE END OF THE REEL, 20 COMPONENTS SHALL BE EMPTY.
  - 5 WHEN THE TAPE WIDTH IS 32 mm OR 44 mm, SPROCKET HOLES SHALL BE SET ON BOTH SIDE OF REEL AS SHOWN ON THIS DRAWING.
  - 6 PEEL FORCE REFERS TO JIS C 0806. (IEC 60286-3)
  - 7 AFTER PACKING, ROLL 2 METERS OF THE REINFORCEMENT COLLAR TO OUTER CIRCUMFERENCE OF TAPE AND REEL POCKET, AND TAPE DOWN AT THE END THE COLLAR.



<b>HRS</b>	DRAWING NO.	EDC-390688-51-77	
	PART NO.	DF12NC(3.0)-*DS-0.5V(51)	
	CODE NO.	CL537	2/2