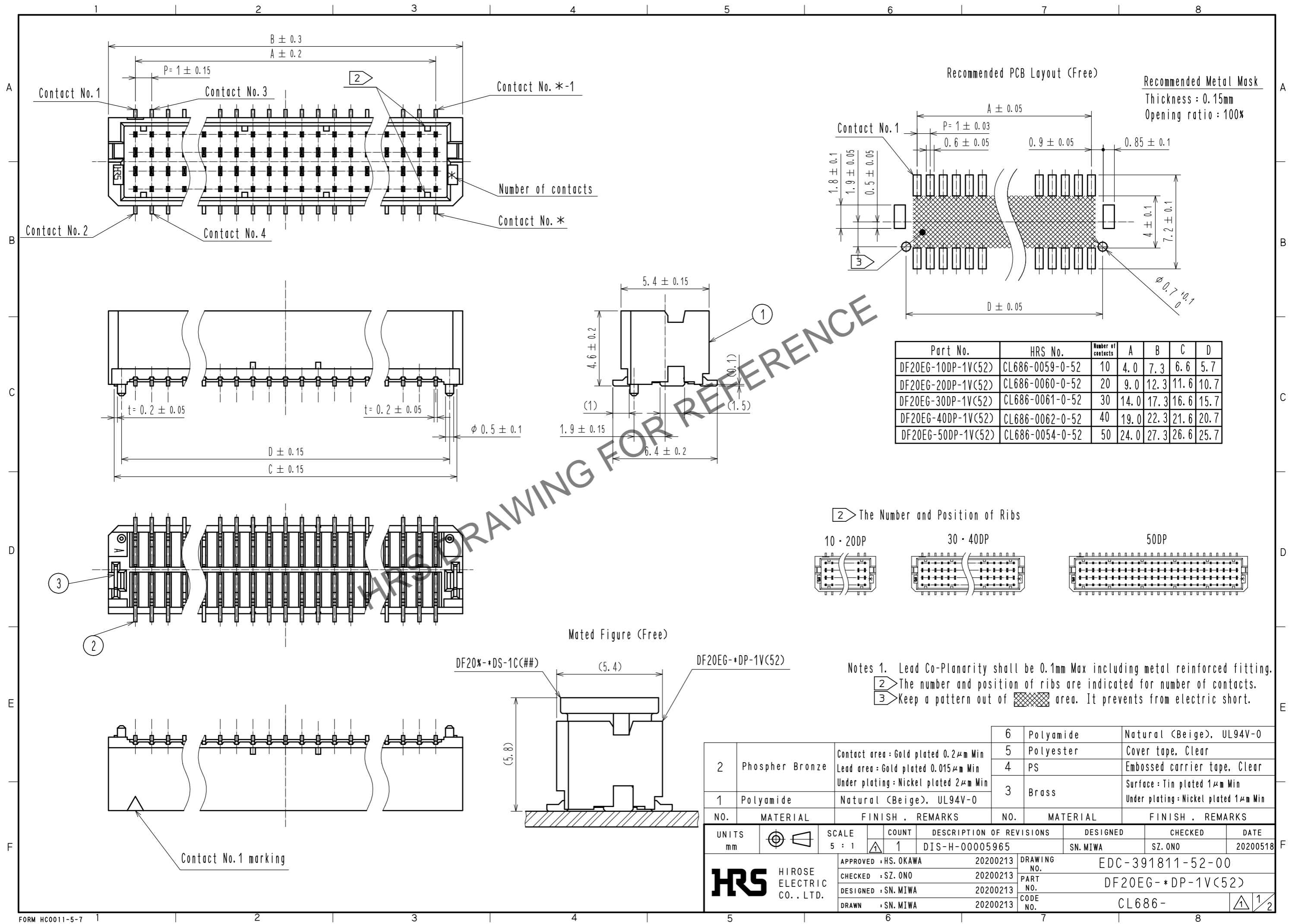


Nov.1.2024 Copyright 2024 HIROSE ELECTRIC CO., LTD. All Rights Reserved.  
In case of consideration for using Automotive equipment / device which demand high reliability, kindly contact our sales window correspondents.

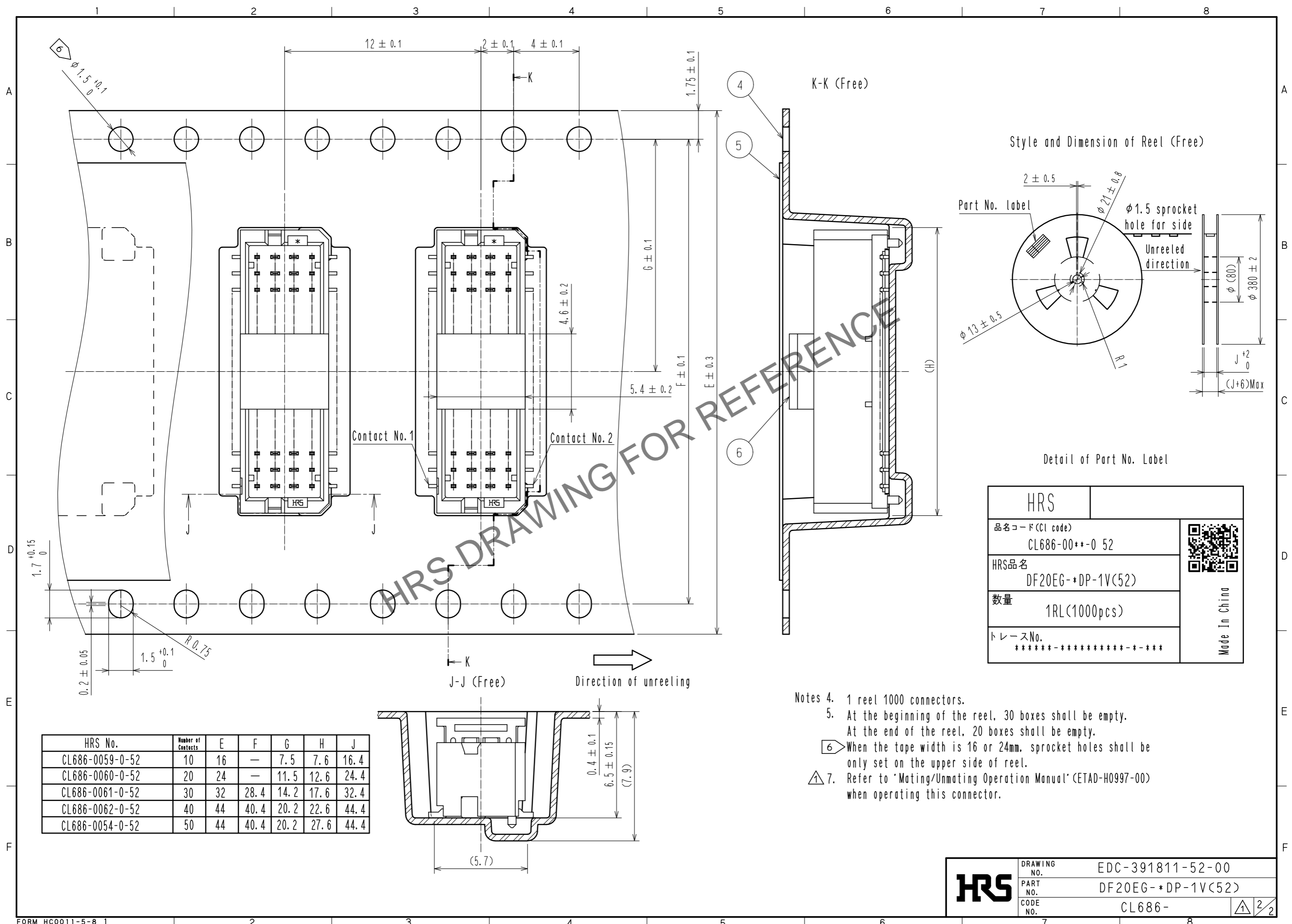


NO.	MATERIAL	FINISH	REMARKS	NO.	MATERIAL	FINISH	REMARKS
2	Phosphor Bronze	Contact area : Gold plated 0.2 $\mu$ m Min Lead area : Gold plated 0.015 $\mu$ m Min Under plating : Nickel plated 2 $\mu$ m Min		6	Polyamide	Natural (Beige), UL94V-0	
1	Polyamide	Natural (Beige), UL94V-0		5	Polyester	Cover tape, Clear	
				4	PS	Embossed carrier tape, Clear	
				3	Brass	Surface : Tin plated 1 $\mu$ m Min Under plating : Nickel plated 1 $\mu$ m Min	

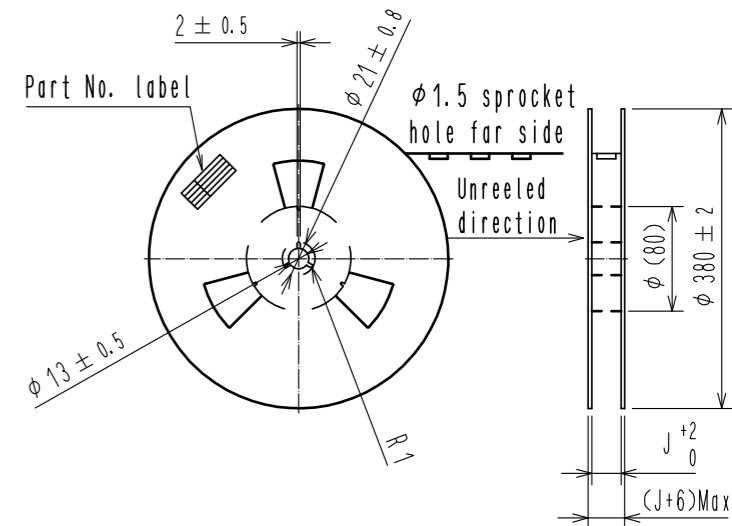
UNITS	SCALE	COUNT	DESCRIPTION OF REVISIONS	DESIGNED	CHECKED	DATE
mm	5 : 1	1	DIS-H-00005965	SN.MIWA	SZ.ONO	20200518

APPROVED	DATE	DRAWING NO.
HS. OKAWA	20200213	EDC-391811-52-00
SZ. ONO	20200213	PART NO. DF20EG-*DP-1V(52)
SN. MIWA	20200213	CODE NO. CL686-
SN. MIWA	20200213	


Nov.1.2024 Copyright 2024 HIROSE ELECTRIC CO., LTD. All Rights Reserved.  
 In case of consideration for using Automotive equipment / device which demand high reliability, kindly contact our sales window correspondents.



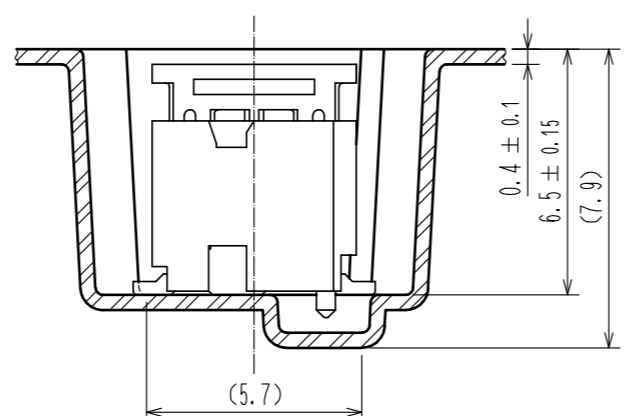
Style and Dimension of Reel (Free)



Detail of Part No. Label

HRS		 Made In China
品名コード (CI code)	CL686-00**-0 52	
HRS品名	DF20EG-*DP-1V(52)	
数量	1RL(1000pcs)	
トレースNo.	*****-*****-**-****	

HRS No.	Number of Contacts	E	F	G	H	J
CL686-0059-0-52	10	16	—	7.5	7.6	16.4
CL686-0060-0-52	20	24	—	11.5	12.6	24.4
CL686-0061-0-52	30	32	28.4	14.2	17.6	32.4
CL686-0062-0-52	40	44	40.4	20.2	22.6	44.4
CL686-0054-0-52	50	44	40.4	20.2	27.6	44.4



- Notes 4. 1 reel 1000 connectors.  
 5. At the beginning of the reel, 30 boxes shall be empty.  
 At the end of the reel, 20 boxes shall be empty.  
 6. When the tape width is 16 or 24mm, sprocket holes shall be only set on the upper side of reel.  
 7. Refer to 'Mating/Unmating Operation Manual' (ETAD-H0997-00) when operating this connector.

<b>HRS</b>	DRAWING NO.	EDC-391811-52-00
	PART NO.	DF20EG-*DP-1V(52)
	CODE NO.	CL686-