

May.1.2019 Copyright 2019 HIROSE ELECTRIC CO., LTD. All Rights Reserved.  
In case of consideration for using Automotive equipment / device which demand high reliability, kindly contact our sales window correspondents.

| COUNT | DESCRIPTION OF REVISIONS | BY | CHKD | DATE | COUNT | DESCRIPTION OF REVISIONS | BY | CHKD | DATE |
|-------|--------------------------|----|------|------|-------|--------------------------|----|------|------|
|       |                          |    |      |      |       |                          |    |      |      |
|       |                          |    |      |      |       |                          |    |      |      |
|       |                          |    |      |      |       |                          |    |      |      |

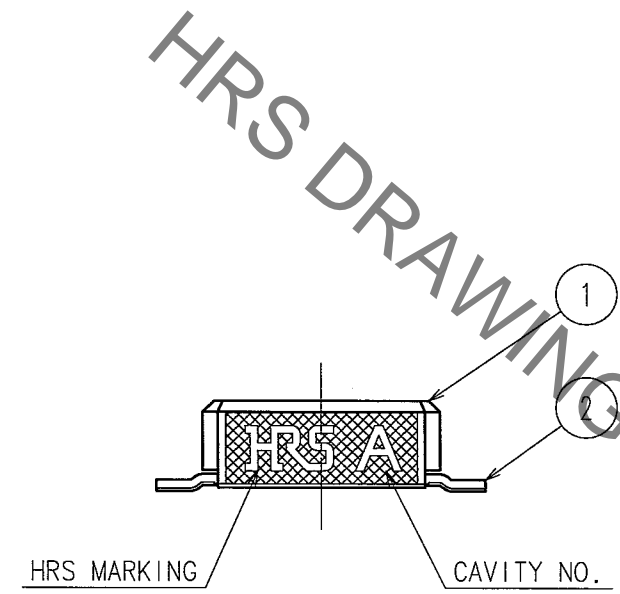
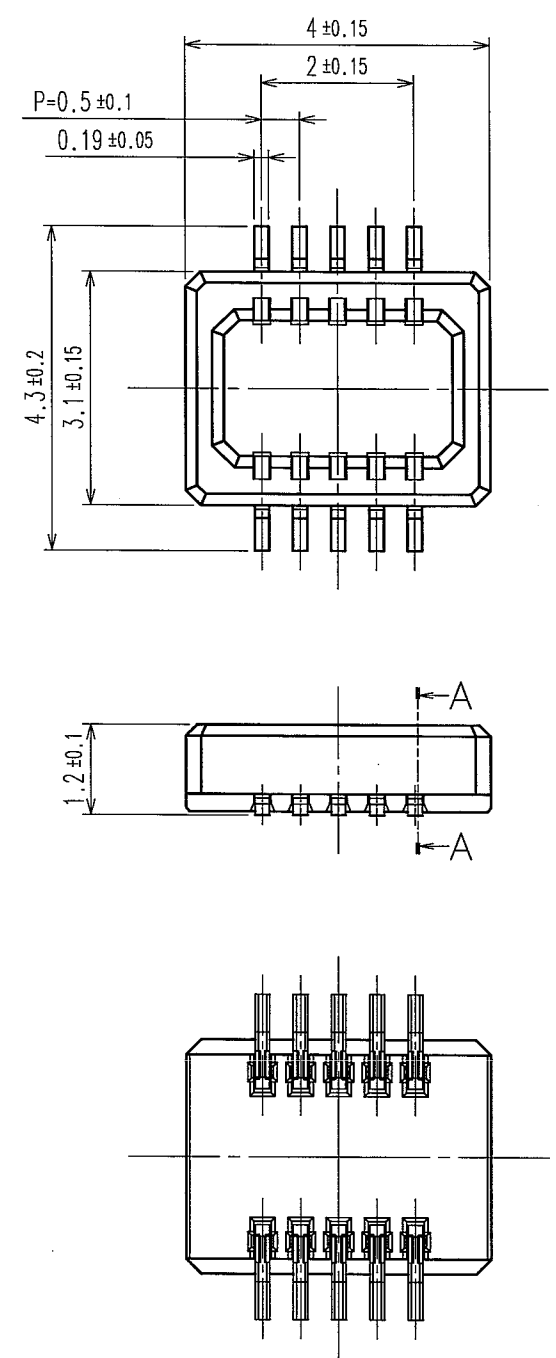


Fig.1 : RECOMMENDED PATTERN      Fig.2 : PLATING SPECIFICATION (40:1)

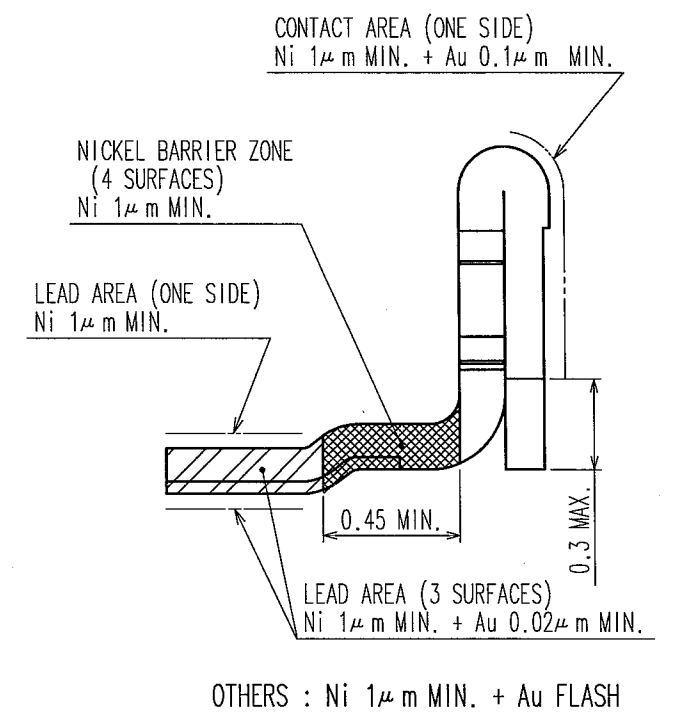
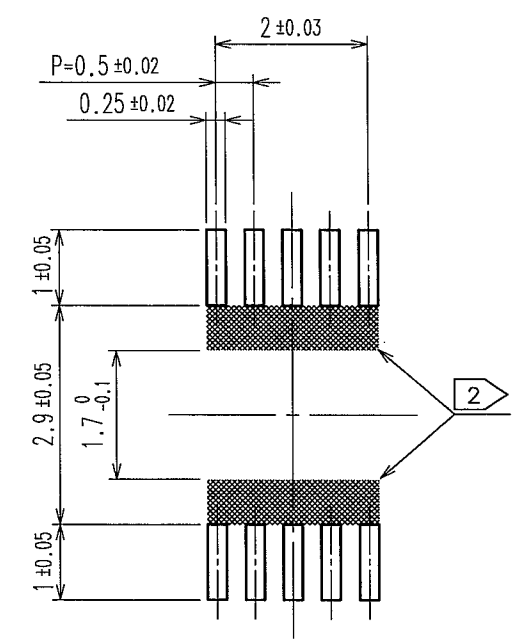
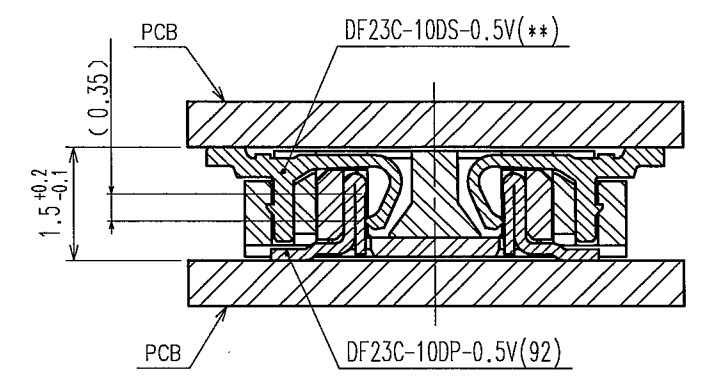
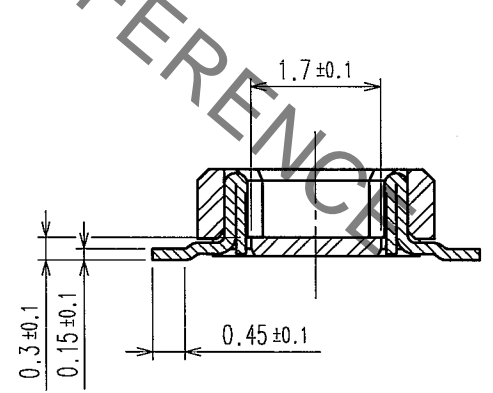


Fig.3 : A-A CROSS SECTION VIEW

Fig.4 : MATING VIEW



NOTES 1 LEAD CO-PLANARITY SHALL BE 0.1mm MAX.  
2 WHEN A PART MARKED WITH HAS A PATTERN BUT NO RESIST ON IT, TAKE CARE TO PREVENT THE CONNECTOR FROM TOUCHING IT.

| NO. | MATERIAL        | FINISH, REMARKS | NO. | MATERIAL  | FINISH, REMARKS     |
|-----|-----------------|-----------------|-----|-----------|---------------------|
| 2   | PHOSPHOR BRONZE | 3               | 5   | PS        | BLACK(PLASTIC REEL) |
| 1   | LCP             | BLACK,UL94V-0   | 4   | POLYESTER | CLEAR               |
|     |                 |                 | 3   | PS        | CLEAR               |

|                |           |           |             |           |          |
|----------------|-----------|-----------|-------------|-----------|----------|
| CODE NO. (OLD) | DRAWN     | DESIGNED  | CHECKED     | APPROVED  | RELEASED |
|                | N.Sato    | J. Yumaki | T. Miyajima | K. Ikeda  |          |
|                | '07.08.27 | '07.08.27 | '07.08.27   | '07.08.27 |          |

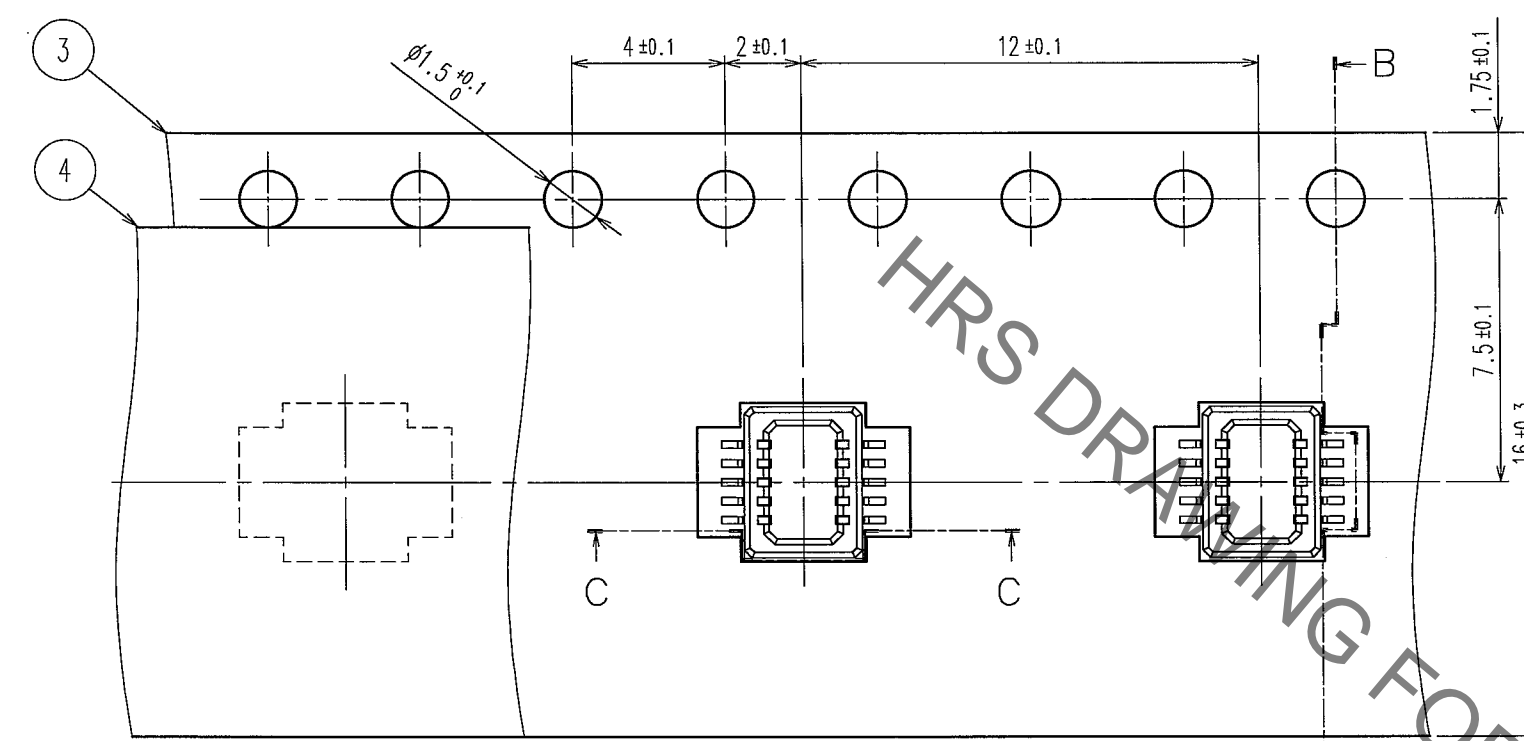
|        |                          |                     |
|--------|--------------------------|---------------------|
| SCALE  | DRAWING NO.              | PART NO.            |
| 10 : 1 | EDC3-164008-05           | DF23C-10DP-0.5V(92) |
| UNITS  | HRS                      | CODE NO.            |
| mm     | HIROSE ELECTRIC CO., LTD | CL688-0806-1-92     |

In case of consideration for using Automotive equipment / device which demand high reliability, kindly contact our sales window correspondents.

1/2

May.1.2019 Copyright 2019 HIROSE ELECTRIC CO., LTD. All Rights Reserved.  
 In case of consideration for using Automotive equipment / device which demand high reliability, kindly contact our sales window correspondents.

| COUNT | DESCRIPTION OF REVISIONS | BY | CHKD | DATE | COUNT | DESCRIPTION OF REVISIONS | BY | CHKD | DATE |
|-------|--------------------------|----|------|------|-------|--------------------------|----|------|------|
| △     |                          |    |      |      | △     |                          |    |      |      |
| △     |                          |    |      |      | △     |                          |    |      |      |
| △     |                          |    |      |      | △     |                          |    |      |      |



DIRECTION OF UNREELING →

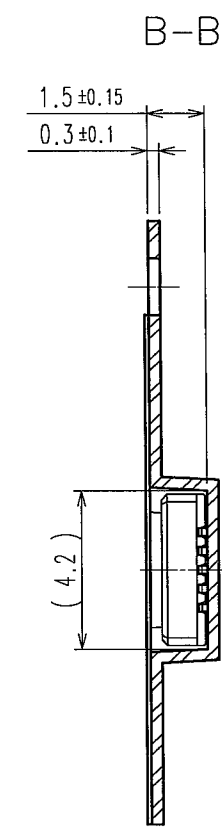
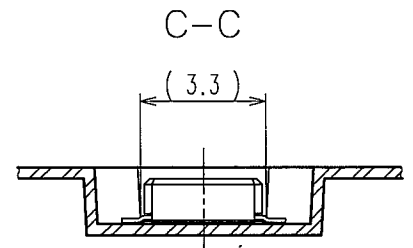
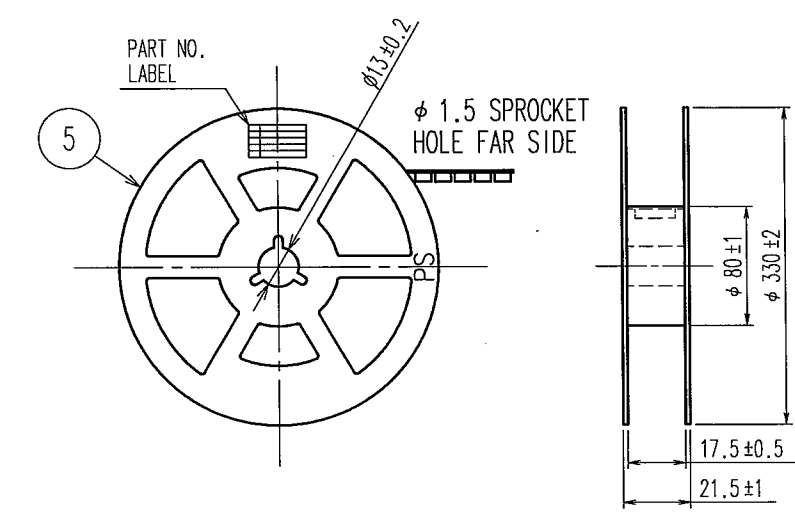


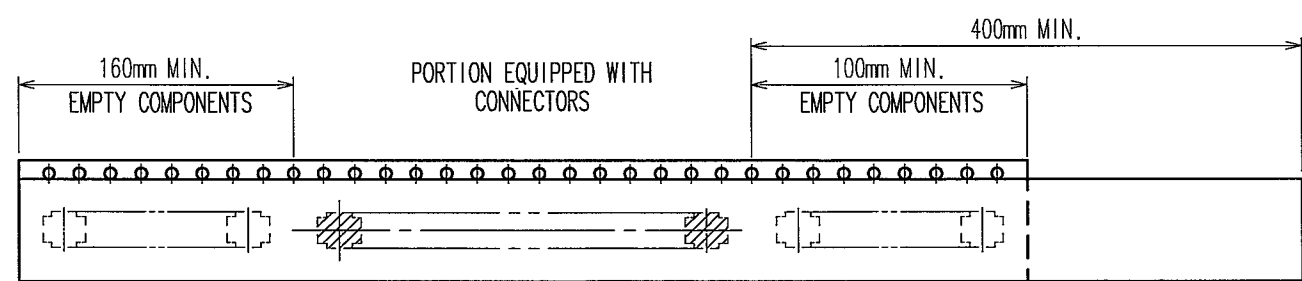
Fig.6 : REEL DIMENSIONS (FREE)



6 DETAIL OF PART NO. LABEL

|                      |                          |
|----------------------|--------------------------|
| DATE OF MANUFACTURED | ** * * *                 |
| CODE NO.             | CL688-0806-1-92          |
| PART NO.             | DF23C-10DP-0.5V(92)      |
| QUANTITY             | 2000                     |
| SUPPLIER             | HIROSE ELECTRIC CO.,LTD. |

- NOTES 3 PER REEL 2000 CONNECTORS  
 4 THE DIMENSIONS IN PARENTHESES ARE FOR REFERENCE  
 5 REFER TO JIS C 0806 (PACKAGING OF COMPONENTS FOR AUTOMATIC HANDLING)  
 6 DETAIL OF PART NO. LABEL IS WRITTEN IN JAPANESE.



5 Fig.5 : TAPING

|                               |                                 |                                     |                                     |                                   |          |
|-------------------------------|---------------------------------|-------------------------------------|-------------------------------------|-----------------------------------|----------|
| CODE NO. (OLD)                | DRAWN<br>N.Sato<br>'07.08.27    | DESIGNED<br>T. Gunokee<br>'07.08.27 | CHECKED<br>T. Miyagaki<br>'07.08.27 | APPROVED<br>K. Ikeda<br>'07.08.27 | RELEASED |
| DRAWING NO.<br>EDC3-164008-05 | PART NO.<br>DF23C-10DP-0.5V(92) |                                     | CODE NO.<br>CL688-0806-1-92         |                                   |          |
| SCALE<br>5 : 1                | UNITS<br>mm                     |                                     | HRS HIROSE ELECTRIC CO., LTD        |                                   |          |

2/2

