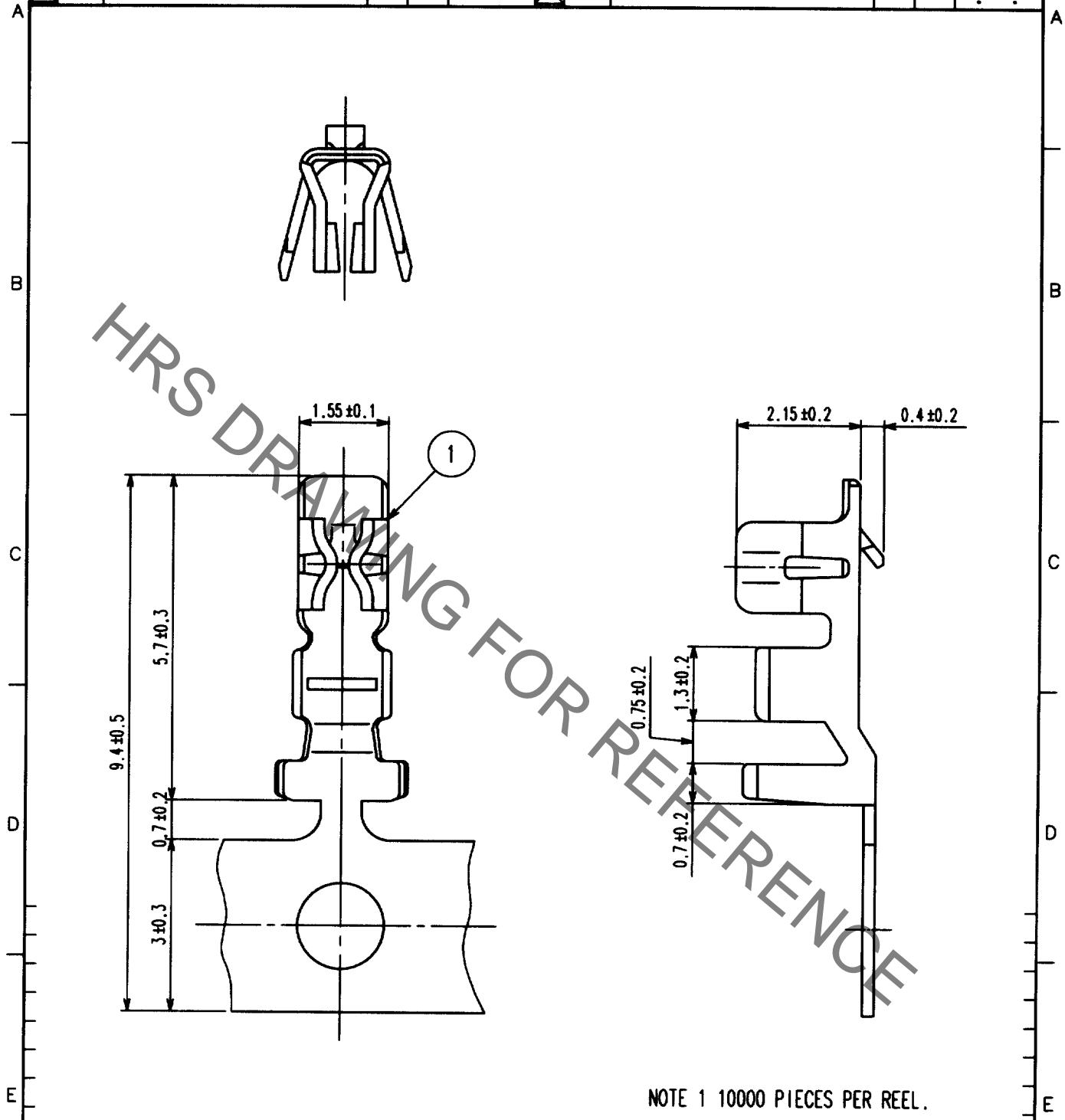


Sep.1.2019 Copyright 2019 HIROSE ELECTRIC CO., LTD. All Rights Reserved.  
 In case of consideration for using Automotive equipment / device which demand high reliability, kindly contact our sales window correspondents.

1	2	3	4						
COUNT	DESCRIPTION OF REVISIONS	BY	CHKD	DATE	COUNT	DESCRIPTION OF REVISIONS	BY	CHKD	DATE
△					△				
△					△				
△					△				



HRS DRAWING FOR REFERENCE

NOTE 1 10000 PIECES PER REEL.

1		PHOSPHOR BRONZE		TIN PLATING 1μm MIN UNDER PLATING COPPER	
NO.	MATERIAL	FINISH, REMARKS			
CODE NO. (OLD)		DRAWN	DESIGNED	CHECKED	APPROVED
		W.Fukuchi	W.Fukuchi	T.Miyazaki	K.Katayama
		'02.08.28	'02.08.28	'02.08.28	'02.8.28
DRAWING NO.		PART NO.		RELEASED	
EDC4-071846		DF3-22SCF			
UNITS		CODE NO.		1/1	
mm		CL543-0235-3			

TO