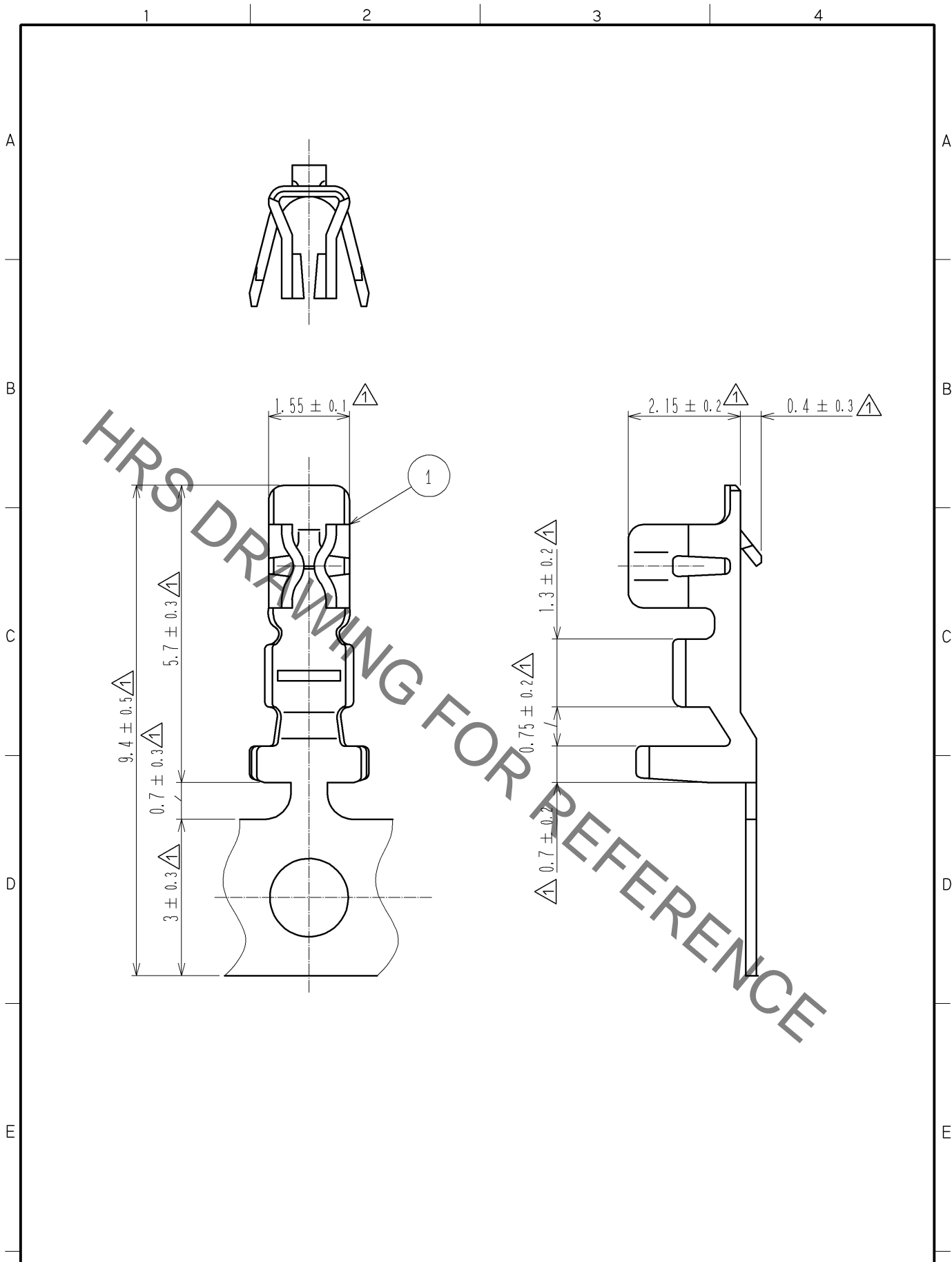


Apr.1.2019 Copyright 2019 HIROSE ELECTRIC CO., LTD. All Rights Reserved.
 In case of consideration for using Automotive equipment / device which demand high reliability, kindly contact our sales window correspondents.



NO.		MATERIAL		FINISH . REMARKS		1		PHOSPHOR BRONZE		TIN PLATING : 1μm min	
UNITS mm		SCALE 10 : 1		COUNT 11		DESCRIPTION OF REVISIONS DIS-H-002402		DESIGNED AK. MIURA		CHECKED HK. UMEHARA	
DATE 07. 08. 30		APPROVED : KJ. KATAYOSE		05. 01. 05		DRAWING NO. EDC4-018921-00		PART NO. DF3-2428SCF		CODE NO. CL543-0001-2-00	
HRS HIROSE ELECTRIC CO., LTD.		CHECKED : TY. OMA		05. 01. 05		1/1					
		DESIGNED : IO. DENPOUYA		05. 01. 05							
		DRAWN : IO. DENPOUYA		05. 01. 05							