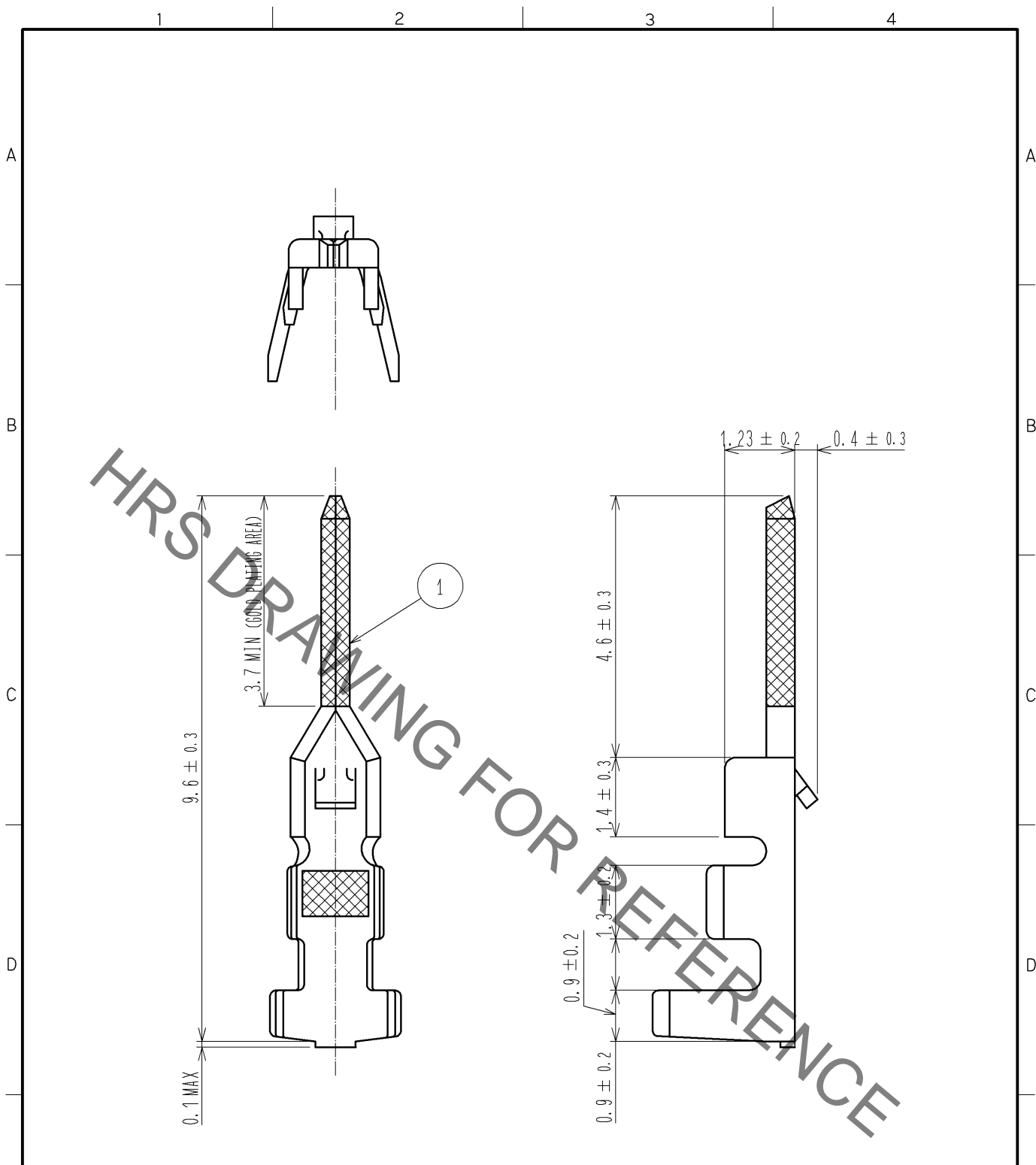


Oct.1.2020 Copyright 2020 HIROSE ELECTRIC CO., LTD. All Rights Reserved.
 In case of consideration for using Automotive equipment / device which demand high reliability, kindly contact our sales window correspondents.



NOTES1. 1 PACK : 100 CONTACTS.

NO.			MATERIAL			FINISH , REMARKS			NO.			MATERIAL			FINISH , REMARKS		
			3			PHOSPHOR BRONZE						CONTACT AREA: Au PLATING 0.2 μm UNDER PLATING: Ni PLATING 0.5 μm					
UNITS mm		SCALE 10: 1		COUNT		DESCRIPTION OF REVISIONS				DESIGNED		CHECKED		DATE			
HRS		HIROSE ELECTRIC CO., LTD.		APPROVED : KI. AKIYAMA 10. 07. 08		DRAWING NO. EDC4-071343-01											
				CHECKED : HK. UMEHARA 10. 07. 08		PART NO. DF3-EP2428PCA											
				DESIGNED : TH. YOSHIZAWA 10. 07. 08		CODE NO. CL543-0150-2-00											
				DRAWN : MI. SAKIMURA 10. 07. 08													