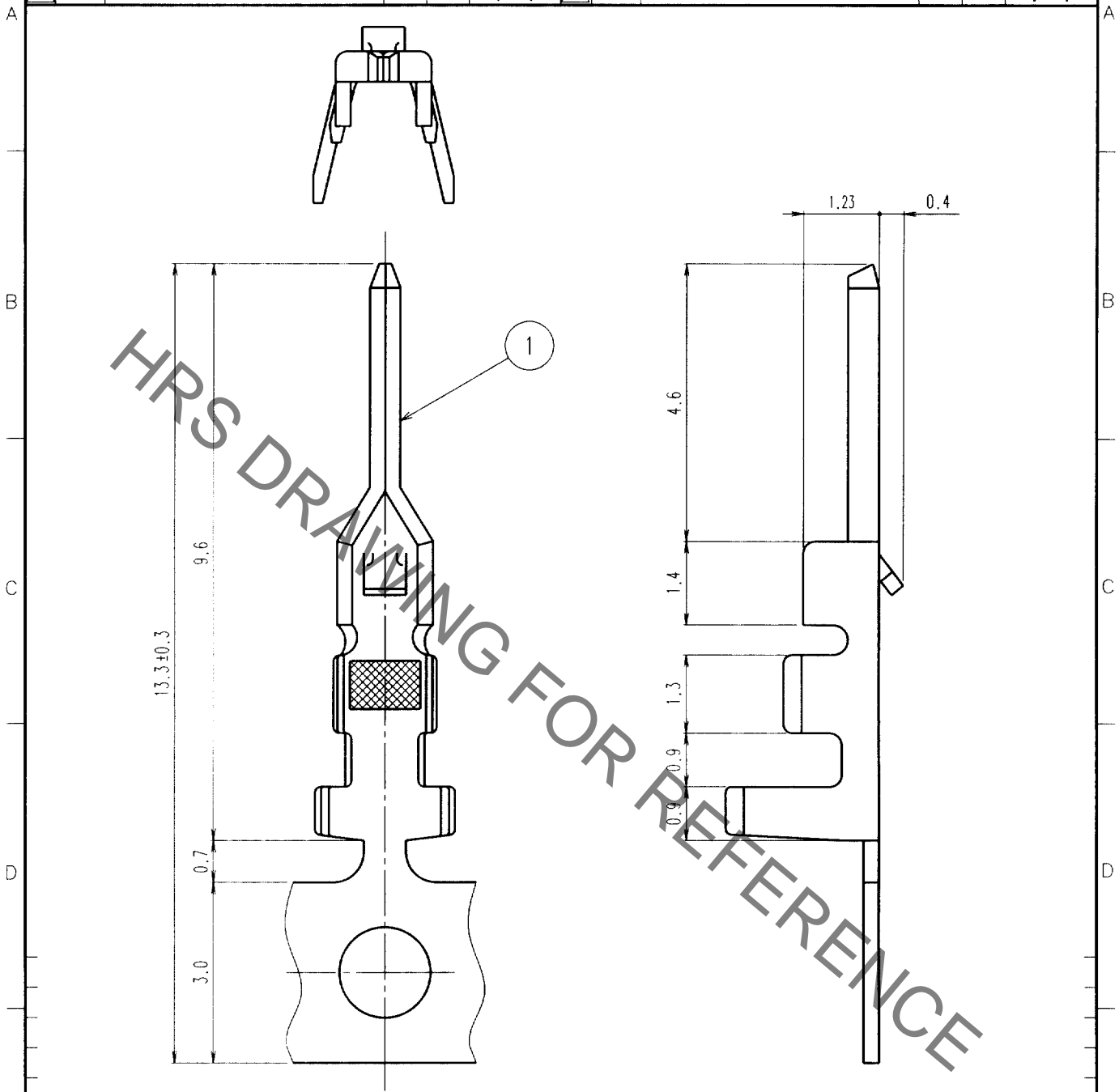


Sep.1.2019 Copyright 2019 HIROSE ELECTRIC CO., LTD. All Rights Reserved.
 In case of consideration for using Automotive equipment / device which demand high reliability, kindly contact our sales window correspondents.

1	2	3	4						
COUNT	DESCRIPTION OF REVISIONS	BY	CHKD	DATE	COUNT	DESCRIPTION OF REVISIONS	BY	CHKD	DATE
△				..	△				..
△				..	△				..
△				..	△				..



NOTES 1. 1 REEL : 10000 CONTACTS.
 2. TOLERANCES TO BE ±0.2
 UNLESS OTHERWISE SPECIFIED.

NO.		MATERIAL		FINISH, REMARKS		1		PHOSPHOR BRONZE		TIN PLATED	
CODE NO. (OLD)		DRAWN		DESIGNED		CHECKED		APPROVED		RELEASED	
		Y. Inoue		T. Miyazaki		K. Akiyama		K. Katayose			
		'98.10.19		'98.10.19		'98.10.19		'98.10.20			
DRAWING NO.		PART NO.		CODE NO.		1		1			
EDC4-020374		DF3-EP2428PCF		CL543-0062-7							
SCALE 10:1		HRS HIROSE ELECTRIC CO., LTD.									
UNITS mm											

TO