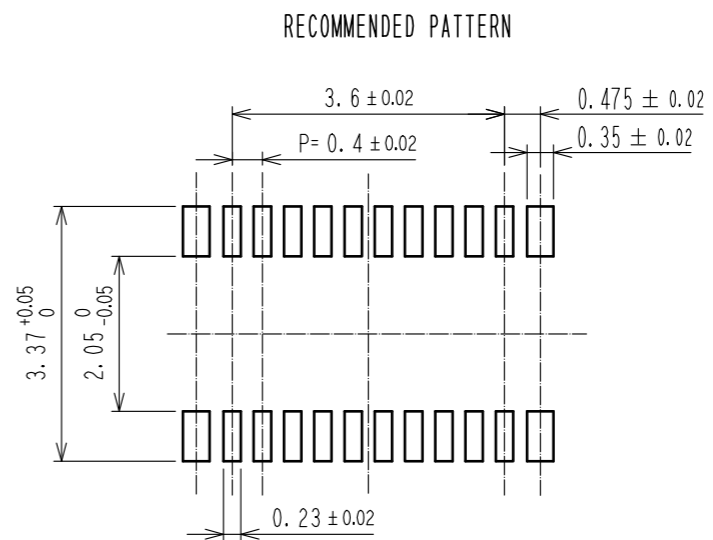
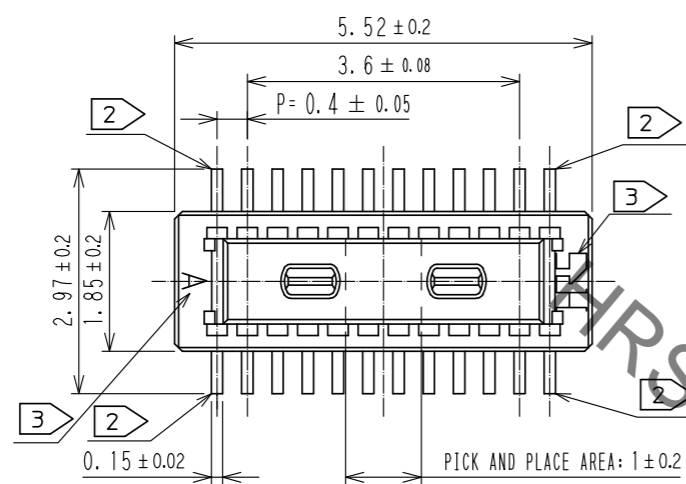
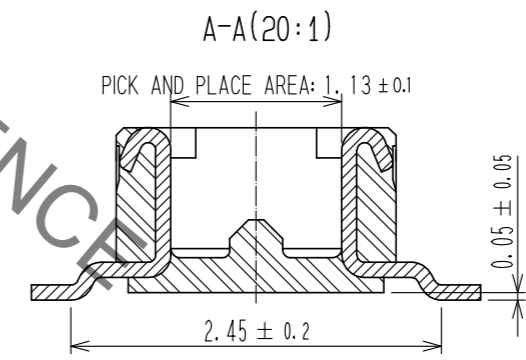
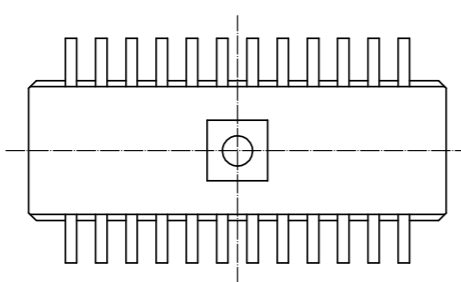
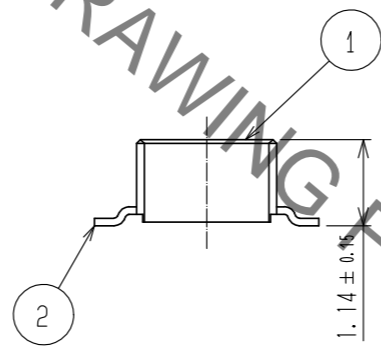
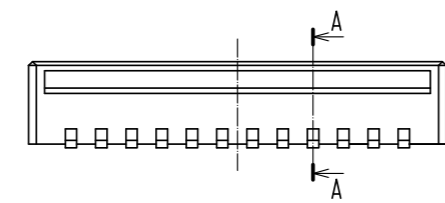


Dec.1.2019 Copyright 2019 HIROSE ELECTRIC CO., LTD. All Rights Reserved.
In case of consideration for using Automotive equipment / device which demand high reliability, kindly contact our sales window correspondents.



RECOMMENDED METAL MASK THICKNESS : 120 μm
RECOMMENDED METAL MASK OPENING RATIO : 80% FOR LEAD PAD

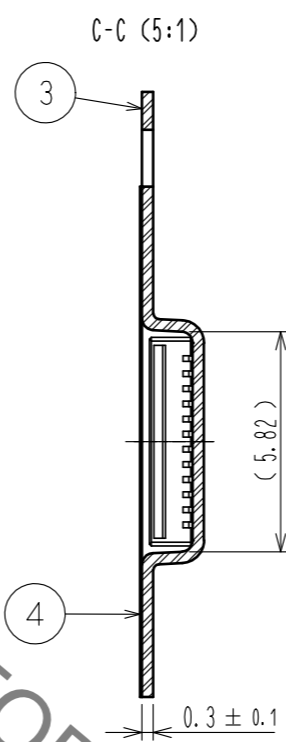
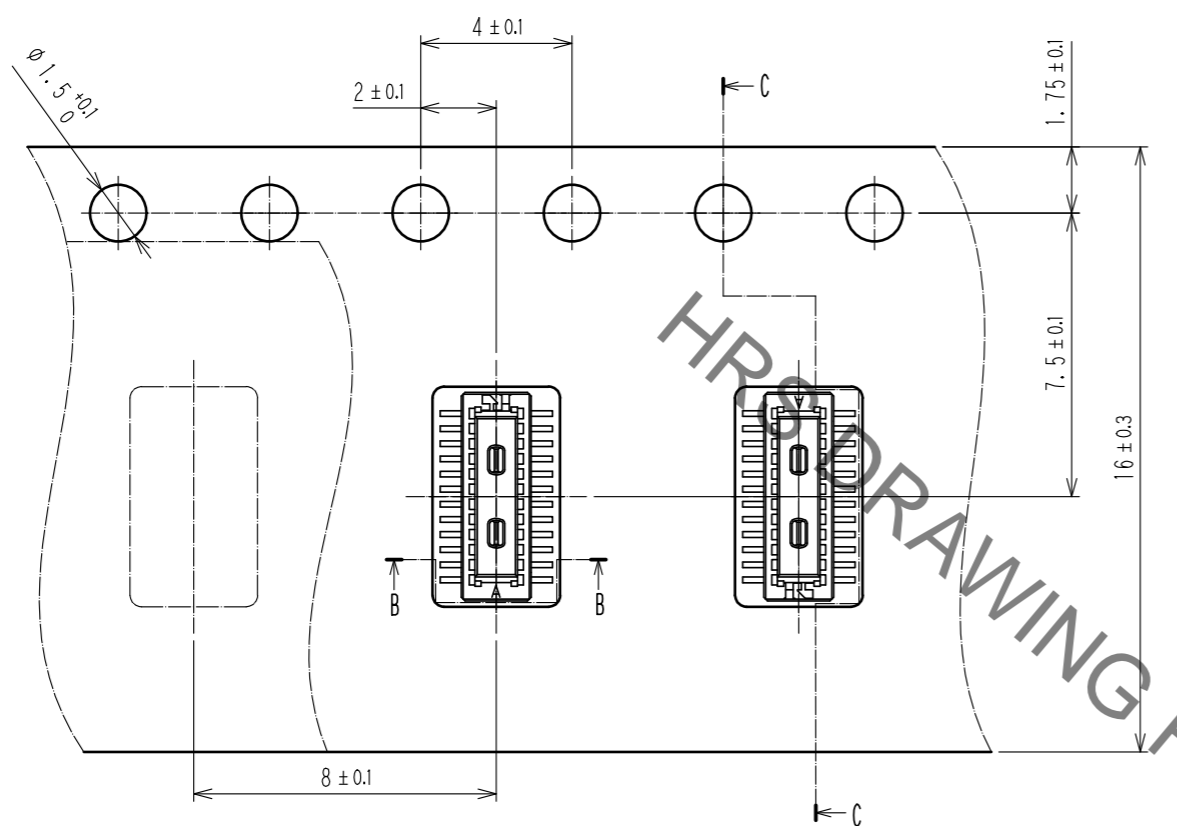


- NOTES
- 1. ALL LEADS CO-PLANARITY SHALL BE 0.1mm MAX.
 - 2 EACH ONE CONTACT AT 4 CORNERS SHALL BE USED AS METAL HOLD DOWN.
 - 3 HRS MARK AND CAV NO. IS INDICATED IN APPROXIMAL POSITION SHOWN.
THE INDICATION COULD BE ON THE UPPER SURFACE OF DESIGN ON THE CONNECTOR.

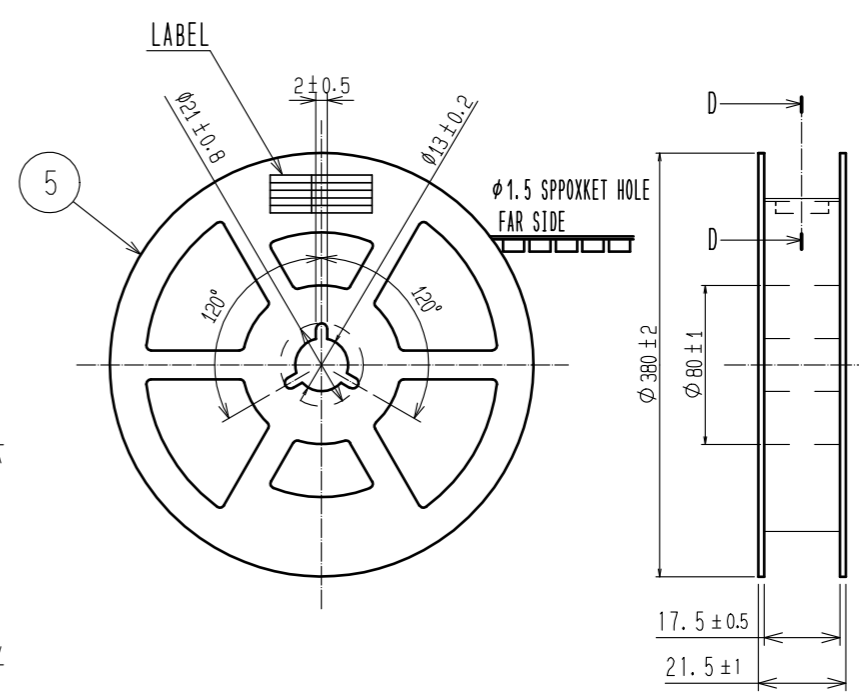
2	PHOSPHOR BRONZE	CONTACT AREA: GOLD 0.05 μm MIN	6	PS	CLEAR, REINFORCEMENT COLLAR			
		SMT LEAD: GOLD 0.05 μm MIN	5	PS	BLACK, PLASTIC REEL			
		UNDERPLATING: NICKEL 1 μm MIN	4	POLYESTER	CLEAR, COVER TAPE			
1	LCP	BLACK, UL94V-0	3	PS	CLEAR, EMBOSSED CARRIER TAPE			
NO.	MATERIAL	FINISH . REMARKS	NO.	MATERIAL	FINISH . REMARKS			
UNITS mm		SCALE 10: 1	COUNT 	DESCRIPTION OF REVISIONS		DESIGNED	CHECKED	DATE
HRS HIROSE ELECTRIC CO., LTD.		APPROVED : MO. ISHIDA	16.06.16	DRAWING NO. EDC-311342-58-00				
		CHECKED : TS. MIYAZAKI	16.06.16	PART NO. DF40C-20DP-0.4V(58)				
		DESIGNED : SH. HOSODA	16.06.14	CODE NO. CL684-4010-9-58				
		DRAWN : SN. NUMAZAKI	16.06.14					

Dec.1.2019 Copyright 2019 HIROSE ELECTRIC CO., LTD. All Rights Reserved.
 In case of consideration for using Automotive equipment / device which demand high reliability, kindly contact our sales window correspondents.

EMBOSSED CARRIER TAPE PACKAGING (5:1)

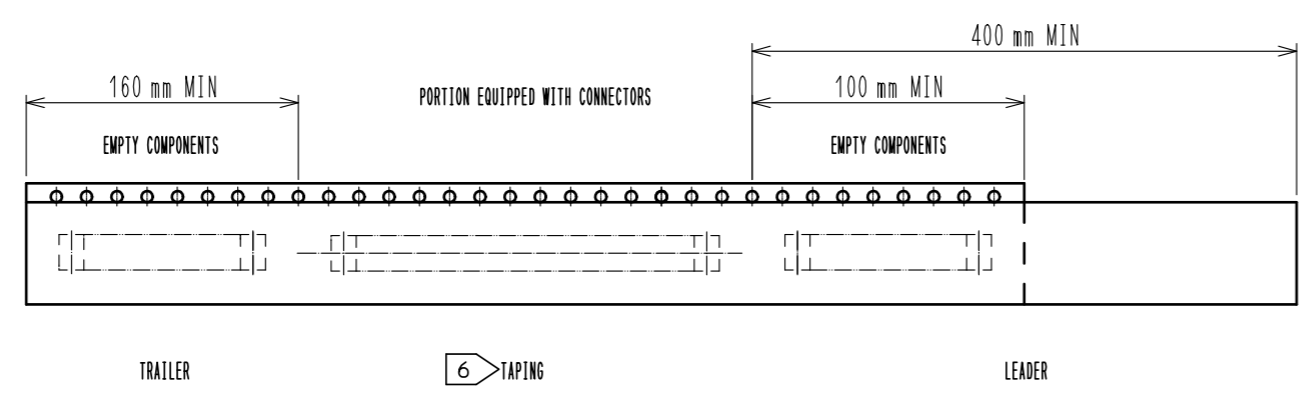
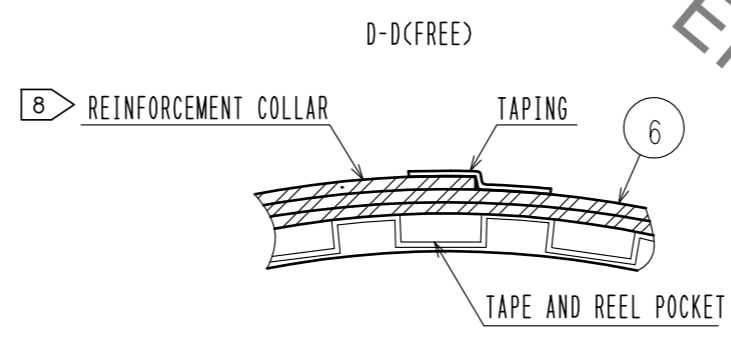
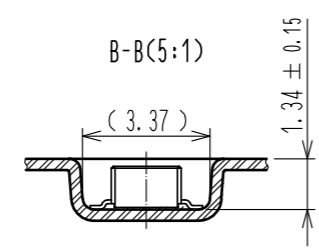


STYLE AND DIMENSION OF REEL (FREE)



7 > DETAIL OF LABEL

製造年月日	** ** *
製品コード	CL684-4010-9-58
製品名	DF40C-20DP-0.4V(58)
数量	1000
納入者	ヒロセ電機(株)



- NOTES
- PER REEL 1000 CONNECTORS.
 - THE DIMENSIONS IN PARENTHESES ARE FOR REFERENCE.
 - REFER TO JIS C 0806, IEC 60286-3 (PACKING OF COMPONENTS FOR AUTOMATIC HANDLING)
 - DETAIL OF PART NO. LABEL IS WRITTEN IN JAPANESE. PART NO. LABEL DESCRIBES THE FOLLOWING INFORMATION FROM TOP.
 PRODUCTION DATE:
 PRODUCT CODE: CL684-4010-9-58
 PART NUMBER: DF40C-20DP-0.4V(58)
 NUMBER OF PIECES: 1000 PIECES
 SUPPLIER NAME: HIROSE ELECTRIC CO., LTD.
 - AFTER PACKAGING, ROLL 2 METERS OF THE REINFORCEMENT COLLAR TO OUTER CIRCUMFERENCE OF TAPE AND REEL POCKET, AND TAPE DOWN AT THE END THE COLLAR.

HRS	DRAWING NO.	EDC-311342-58-00
	PART NO.	DF40C-20DP-0.4V(58)
	CODE NO.	CL684-4010-9-58