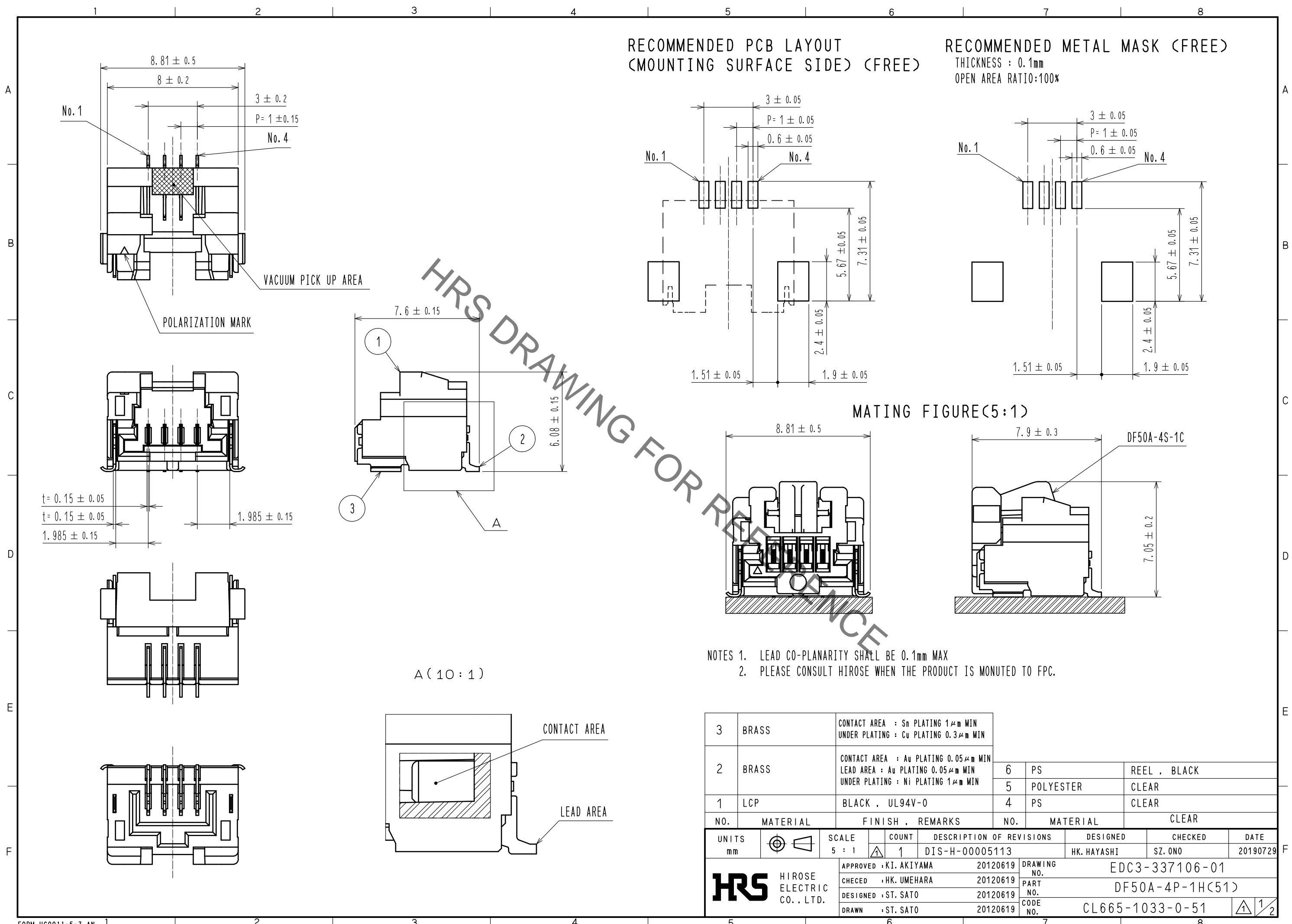


Dec.1.2019 Copyright 2019 HIROSE ELECTRIC CO., LTD. All Rights Reserved.  
In case of consideration for using Automotive equipment / device which demand high reliability, kindly contact our sales window correspondents.



RECOMMENDED PCB LAYOUT  
(MOUNTING SURFACE SIDE) (FREE)

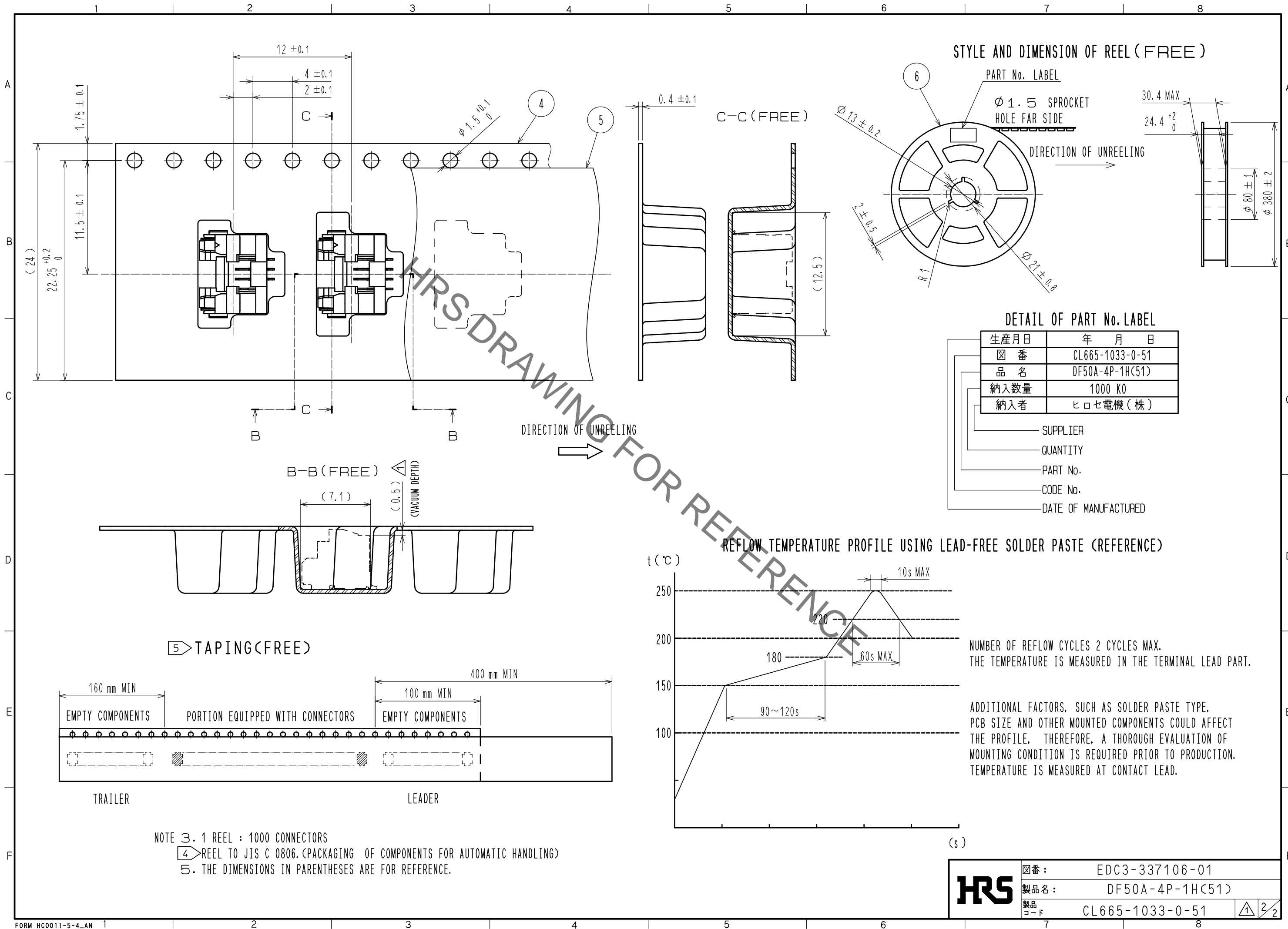
RECOMMENDED METAL MASK (FREE)  
THICKNESS : 0.1mm  
OPEN AREA RATIO:100%

MATING FIGURE(5:1)

- NOTES 1. LEAD CO-PLANARITY SHALL BE 0.1mm MAX  
2. PLEASE CONSULT HIROSE WHEN THE PRODUCT IS MONUTED TO FPC.

3	BRASS	CONTACT AREA : Sn PLATING 1μm MIN UNDER PLATING : Cu PLATING 0.3μm MIN			
2	BRASS	CONTACT AREA : Au PLATING 0.05μm MIN LEAD AREA : Au PLATING 0.05μm MIN UNDER PLATING : Ni PLATING 1μm MIN	6	PS	REEL , BLACK
1	LCP	BLACK , UL94V-0	5	POLYESTER	CLEAR
			4	PS	CLEAR
NO.	MATERIAL	FINISH , REMARKS	NO.	MATERIAL	CLEAR
UNITS	mm	SCALE	COUNT	DESCRIPTION OF REVISIONS	DESIGNED
		5 : 1	1	DIS-H-00005113	HK. HAYASHI
					CHECKED
					SZ. ONO
					DATE
					20190729
APPROVED : KI. AKIYAMA		20120619	DRAWING NO. EDC3-337106-01		
CHECED : HK. UMEHARA		20120619	PART NO. DF50A-4P-1H(51)		
DESIGNED : ST. SATO		20120619	CODE NO. CL665-1033-0-51		
DRAWN : ST. SATO		20120619			

Dec.1.2019 Copyright 2019 HIROSE ELECTRIC CO., LTD. All Rights Reserved.  
In case of consideration for using Automotive equipment / device which demand high reliability, kindly contact our sales window correspondents.



STYLE AND DIMENSION OF REEL (FREE)

PART No. LABEL

φ 1.5 SPROCKET HOLE FAR SIDE

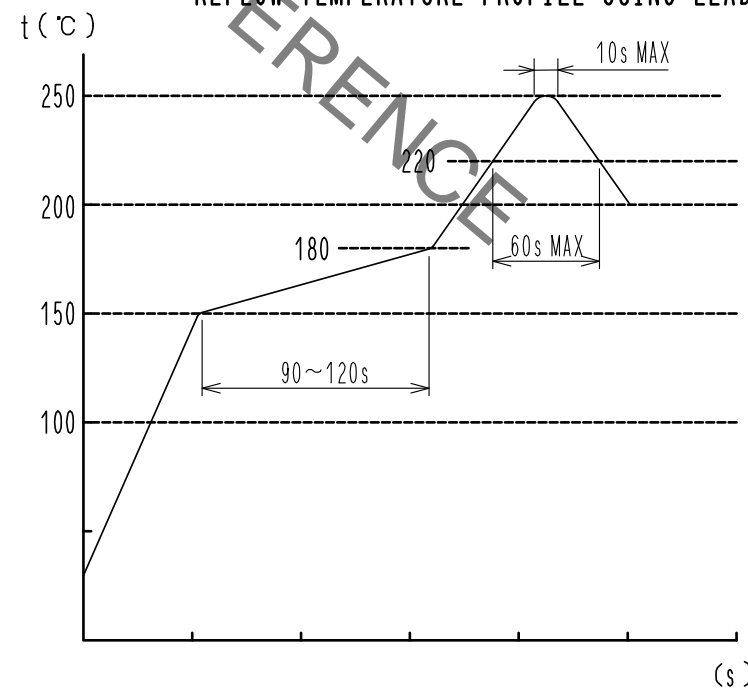
DIRECTION OF UNREELING

DETAIL OF PART No. LABEL

生産月日	年 月 日
図 番	CL665-1033-0-51
品 名	DF50A-4P-1H(51)
納入数量	1000 KO
納入者	ヒロセ電機(株)

- SUPPLIER
- QUANTITY
- PART No.
- CODE No.
- DATE OF MANUFACTURED

REFLOW TEMPERATURE PROFILE USING LEAD-FREE SOLDER PASTE (REFERENCE)



NUMBER OF REFLOW CYCLES 2 CYCLES MAX.  
THE TEMPERATURE IS MEASURED IN THE TERMINAL LEAD PART.

ADDITIONAL FACTORS, SUCH AS SOLDER PASTE TYPE, PCB SIZE AND OTHER MOUNTED COMPONENTS COULD AFFECT THE PROFILE. THEREFORE, A THOROUGH EVALUATION OF MOUNTING CONDITION IS REQUIRED PRIOR TO PRODUCTION. TEMPERATURE IS MEASURED AT CONTACT LEAD.

NOTE 3. 1 REEL : 1000 CONNECTORS  
 4 REEL TO JIS C 0806. (PACKAGING OF COMPONENTS FOR AUTOMATIC HANDLING)  
 5. THE DIMENSIONS IN PARENTHESES ARE FOR REFERENCE.

<b>HRS</b>	図番:	EDC3-337106-01	2/2
	製品名:	DF50A-4P-1H(51)	
	製品コード:	CL665-1033-0-51	