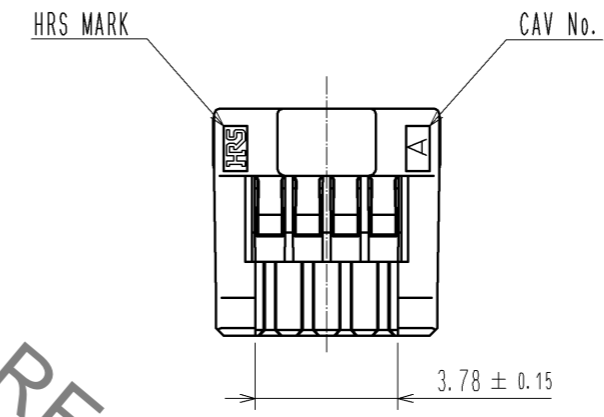
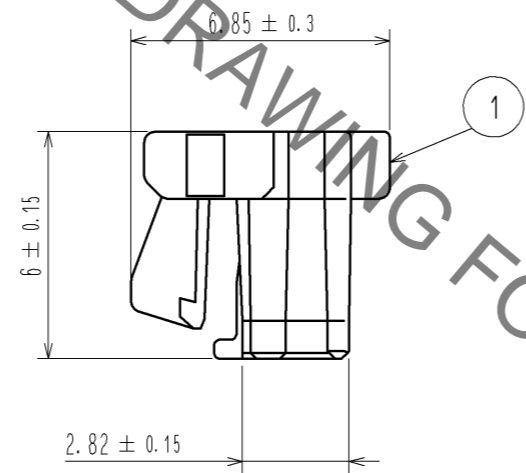
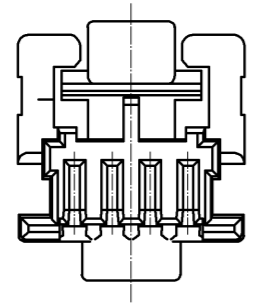
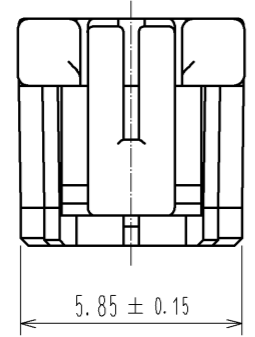
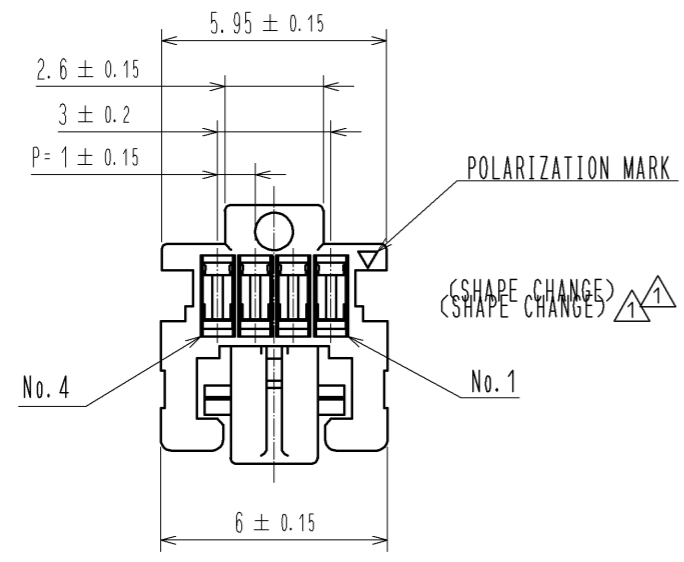


Jan.1.2020 Copyright 2020 HIROSE ELECTRIC CO., LTD. All Rights Reserved.
In case of consideration for using Automotive equipment / device which demand high reliability, kindly contact our sales window correspondents.



HRS DRAWING FOR REFERENCE

NOTE1. PER PACK:100 PIECES

NO.		MATERIAL		FINISH . REMARKS		1	PBT	UL94V-0. BLACK
UNITS		SCALE	COUNT	DESCRIPTION OF REVISIONS		DESIGNED	CHECKED	DATE
mm		5 : 1	1	DIS-H-005903		KT. ISHII	OM. MIYAMOTO	11.06.16
HRS		HIROSE ELECTRIC CO., LTD.		APPROVED : KI. AKIYAMA	10.12.14	DRAWING NO. EDC3-329223-00		
				CHECED : OM. MIYAMOTO	10.12.14	PART NO. DF50A-4S-1C		
				DESIGNED : TT. OHSAKO	10.12.13	CODE NO. CL665-1007-0-00		
				DRAWN : TT. OHSAKO	10.12.13			