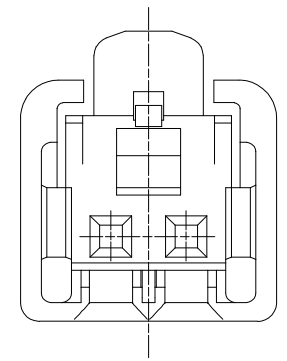
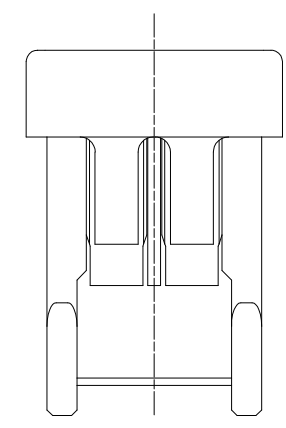
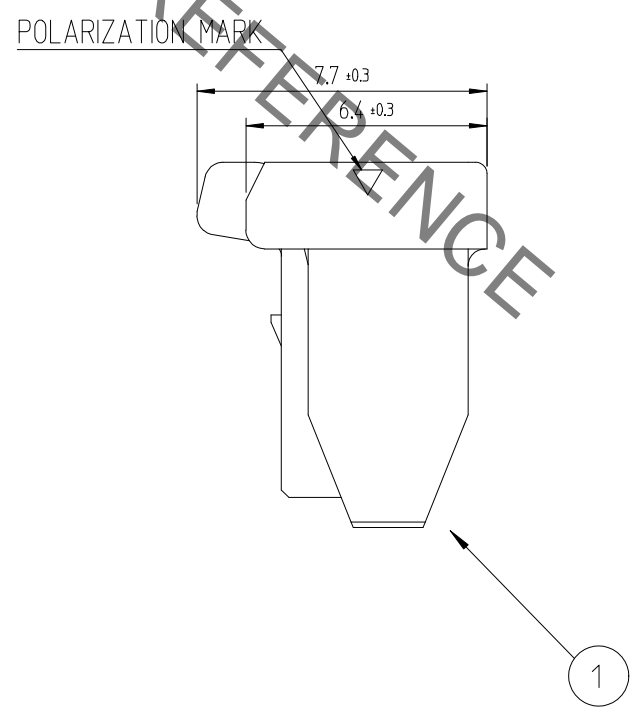
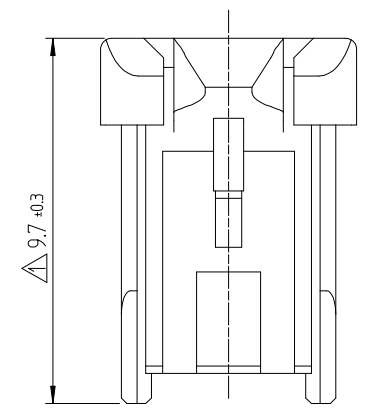
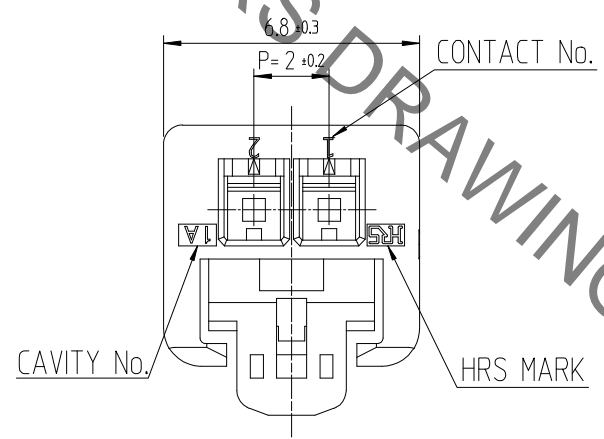


Feb. 1. 2023 Copyright 2023 HIROSE ELECTRIC CO., LTD. All Rights Reserved.
In case of consideration for using Automotive equipment / device which demand high reliability, kindly contact our sales window

△數 COUNT	訂正事項 DESCRIPTION OF REVISIONS	擔當 B Y	檢圖 CHKD	年月日 DATE	△數 COUNT	訂正事項 DESCRIPTION OF REVISIONS	擔當 B Y	檢圖 CHKD	年月日 DATE
△1	1 RE-6-1150	K.I.Y	L.S.M	18. 07. 04	△				
△2	1 RE-6-1579	K.I.Y	L.S.M	20. 01. 23	△				
△					△				



NOTE 1. 1PACK CONTAINS 100PCS.

△2. UL(File No. E132750) AUTHORIZATION ARTICLE.
C-UL(File No. E132750) AUTHORIZATION ARTICLE.



NO.	MATERIAL	FINISH,REMARKS	1	PBT	UL94V-0, BLACK
NO.	MATERIAL	FINISH,REMARKS	NO.	MATERIAL	FINISH,REMARKS
CODE NO. (OLD)			DRAWN	DESIGNED	CHECKED
			CHOI	CHOI	LIM
			17.12.22	17.12.22	17.12.22
			J.S	J.S	S.M
			APPROVED	RELEASED	
			KANG	ENG	
			17.12.22	20.02.12	
			T.S	DEPT	
DRAWING NO. EDC3-632508			PART NO. DF51K-2S-2C (800)		
SCALE 5:1			CODE NO. CL 6652-0020-6 -800		
UNITS mm			HRS HIROSE KOREA CO.,LTD.		
					1/1