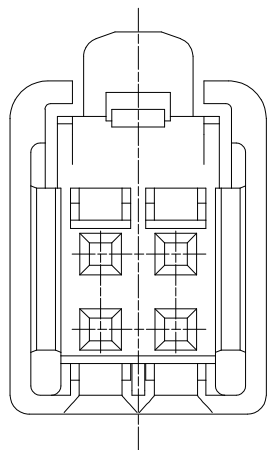
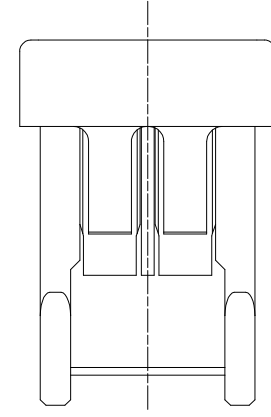
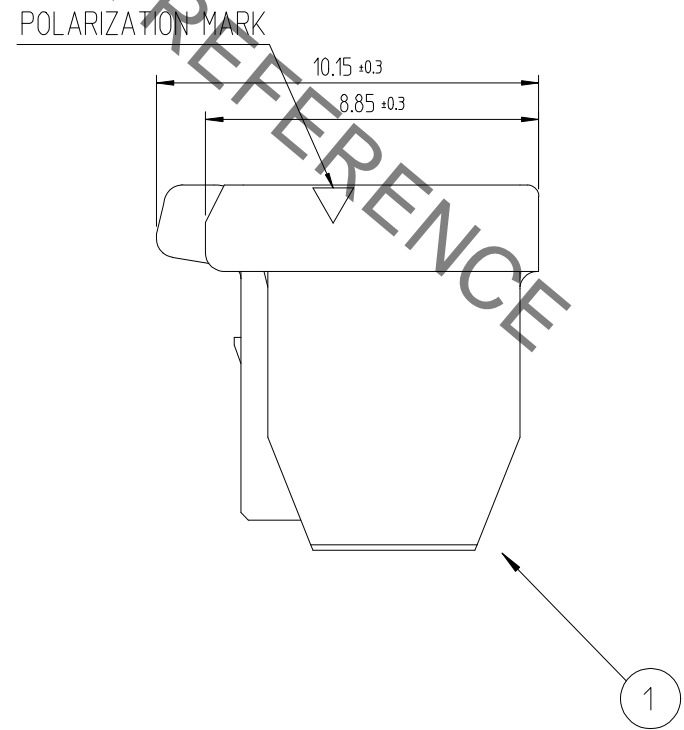
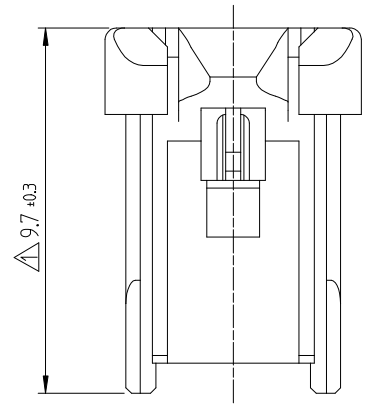
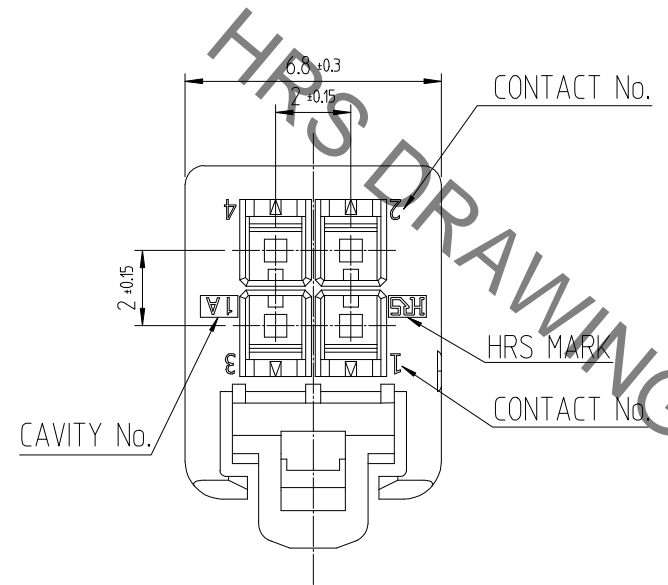


Mar. 1. 2023 Copyright 2023 HIROSE ELECTRIC CO., LTD. All Rights Reserved.
In case of consideration for using Automotive equipment / device which demand high reliability, kindly contact our sales window

△數 COUNT	訂正事項 DESCRIPTION OF REVISIONS	擔當 B Y	檢圖 CHKD	年月日 DATE	△數 COUNT	訂正事項 DESCRIPTION OF REVISIONS	擔當 B Y	檢圖 CHKD	年月日 DATE
①	1 RE-6-1150	K.I.Y	L.S.M	18. 07. 04	△				
②	1 RE-6-1579	K.I.Y	L.S.M	20. 01. 23	△				
△					△				



NOTE 1. 1PACK CONTAINS 100PCS.
 △ 2. UL(File No. E132750) AUTHORIZATION ARTICLE.
 C-UL(File No. E132750) AUTHORIZATION ARTICLE.



NO.	MATERIAL	FINISH,REMARKS	NO.	MATERIAL	FINISH,REMARKS
			1	PBT	UL94V-0, BLACK
CODE NO. (OLD)			DRAWN		
			CHOI	DESIGNED	CHECKED
			17.12.22	CHOI	17.12.22
			J.S	J.S	LIM
					17.12.22
					S.M
					KANG
					17.12.22
					T.S
					ENG
					20.02.12
					DEPT
DRAWING NO.		PART NO.		RELEASED	
DF51K-4DP-2DSA		DF51K-4DS-2C (800)		1	
SCALE 5:1		CODE NO.		1	
UNITS mm		CL 6652-0025-0-800		1	
HRS HIROSE KOREA CO.,LTD.				1	