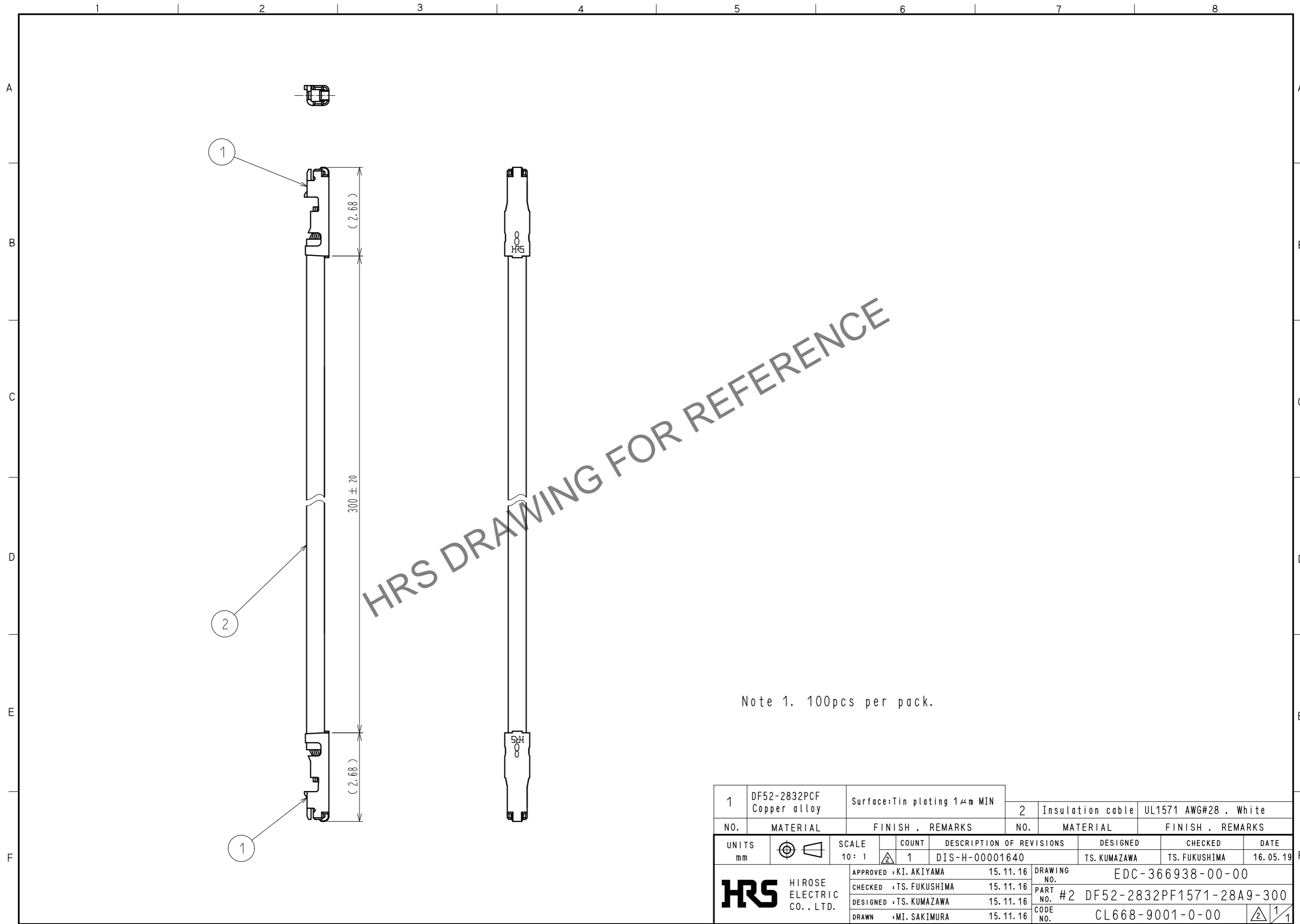


Nov.1.2024 Copyright 2024 HIROSE ELECTRIC CO., LTD. All Rights Reserved.
 In case of consideration for using Automotive equipment / device which demand high reliability, kindly contact our sales window correspondents.



HRS DRAWING FOR REFERENCE

Note 1. 100pcs per pack.

1	DF52-2832PCF Copper alloy	Surface: Tin plating 1μm MIN	2	Insulation cable	UL1571 AWG#28 . White
NO.	MATERIAL	FINISH . REMARKS	NO.	MATERIAL	FINISH . REMARKS
UNITS mm		SCALE 10: 1	COUNT 1	DESCRIPTION OF REVISIONS DIS-H-00001640	
HRS HIROSE ELECTRIC CO., LTD.		APPROVED : KI. AKIYAMA 15.11.16	DESIGNED TS. KUMAZAWA	CHECKED TS. FUKUSHIMA	DATE 16.05.19
		CHECKED : TS. FUKUSHIMA 15.11.16	DRAWING NO. EDC-366938-00-00		
		DESIGNED : TS. KUMAZAWA 15.11.16	PART NO. #2 DF52-2832PF1571-28A9-300		
		DRAWN : MI. SAKIMURA 15.11.16	CODE NO. CL668-9001-0-00		
			1		