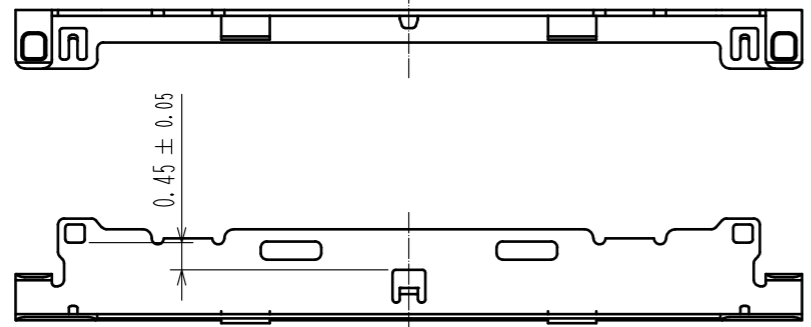
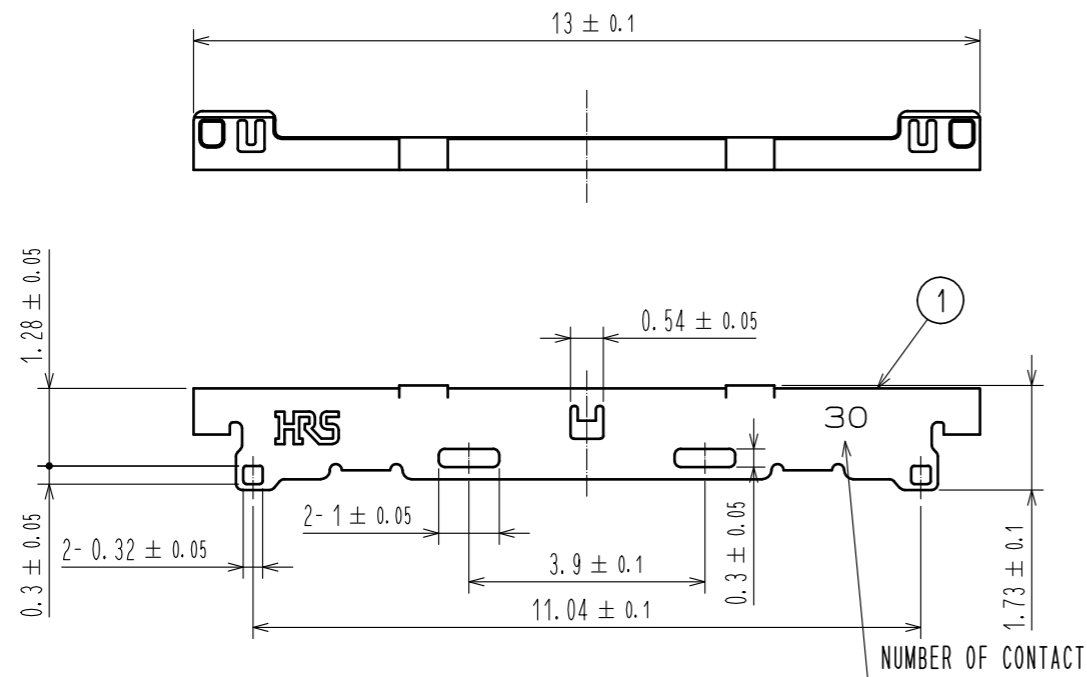
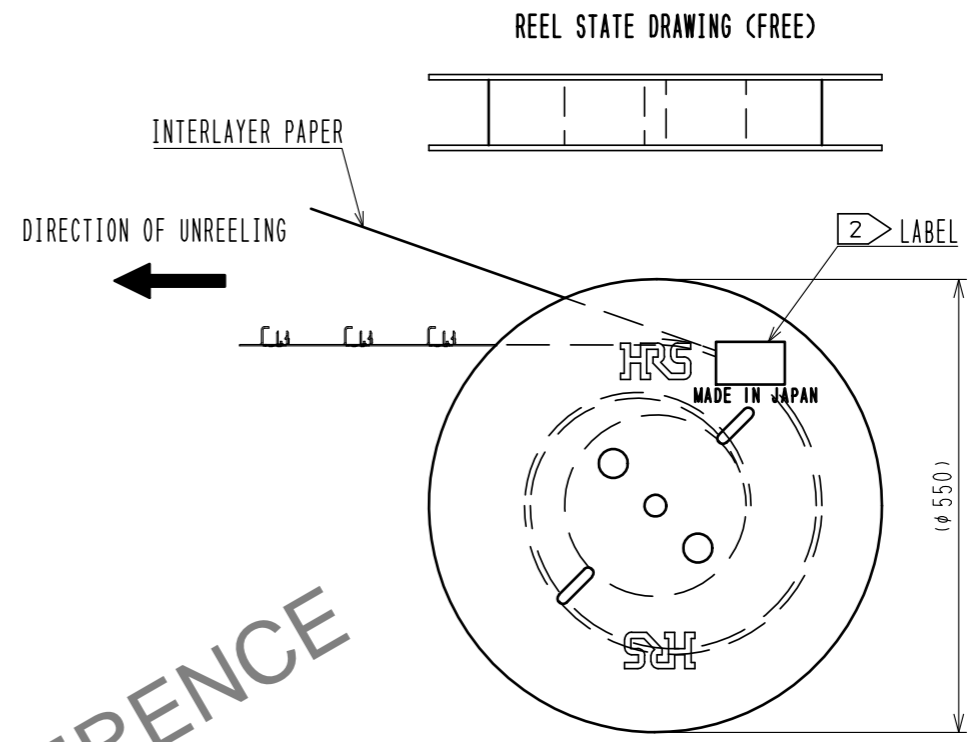
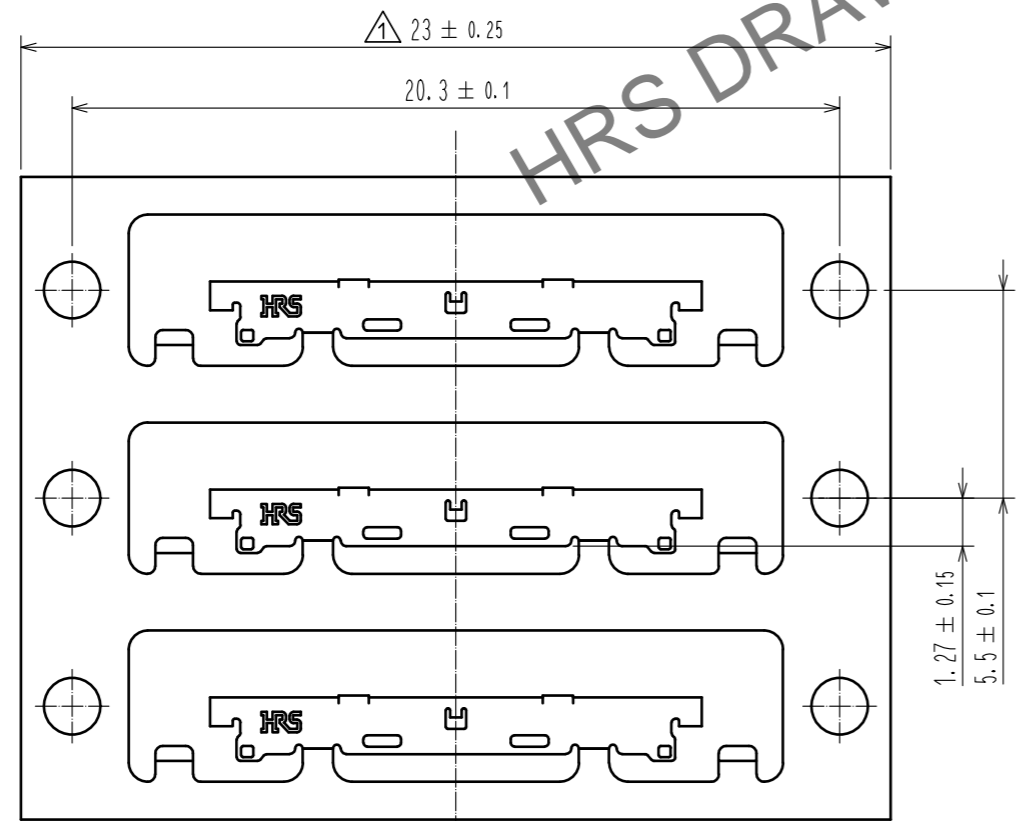


Feb.1.2025 Copyright 2025 HIROSE ELECTRIC CO., LTD. All Rights Reserved.  
In case of consideration for using Automotive equipment / device which demand high reliability, kindly contact our sales window correspondents.



CAREER STATE DRAWING (FREE)



- NOTES
- 1. PER REEL:10000 COMPONENTS
  - 2. DETAILS OF THE LABEL ARE SHOWN BELOW.
  - 3. THE ASSEMBLY IS COMPLETED BY COMBINING TWO PARTS 'CONNECTOR UNIT, AND METAL SHIELDING'. REFER TO THE TABLE FOR EACH ITEM No., PART NAME, PART No AND CODE No.

2 LABEL DETAILS

| HRS               |              | INSPECTION<br>検査 |
|-------------------|--------------|------------------|
| CODE No.<br>品名コード | CL662-5618-6 |                  |
| PART NO.<br>品名    | DF56-30P-SHL |                  |
| QTY<br>数量         | 10,000 PCS   |                  |
| PECULIAR<br>仕様    |              |                  |
| Lot No            |              |                  |
| SPLICE<br>継ぎ目     |              |                  |

3

| ITEM No. | PART NAME       | PART No.           | CODE No.        |
|----------|-----------------|--------------------|-----------------|
| -        | CONNECTOR UNIT  | DF56-30P-0.3SD(51) | CL662-5617-3-51 |
| 1        | METAL SHIELDING | DF56-30P-SHL       | CL662-5618-6-00 |

| NO. | MATERIAL | FINISH . REMARKS | NO. | MATERIAL  | FINISH . REMARKS  |
|-----|----------|------------------|-----|-----------|---|
|     |          |                  | 1   | STAINLESS | WHOLE AREA : Sn PLATING 1μm min<br>UNDER PLATING : Ni PLATING 0.2μm min |

| UNITS<br>mm | SCALE<br>FREE             | COUNT<br>1                        | DESCRIPTION OF REVISIONS<br>DIS-D-00002854 | DESIGNED<br>DS. YAMAKOSHI            | CHECKED<br>NK. NINOMIYA           | DATE<br>18.01.30   |
|-------------|---------------------------|-----------------------------------|--|--------------------------------------|-----------------------------------|--|
| <b>HRS</b>  | HIROSE ELECTRIC CO., LTD. | APPROVED : TS. SAKATA<br>12.06.12 | CHECKED : HS. OZAWA<br>12.06.12            | DESIGNED : TP. MATSUMOTO<br>12.06.12 | DRAWN : TP. MATSUMOTO<br>12.06.12 | DRAWING NO.<br>EDC3-344842-00<br>PART NO.<br>DF56-30P-SHL<br>CODE NO.<br>CL662-5618-6-00 |