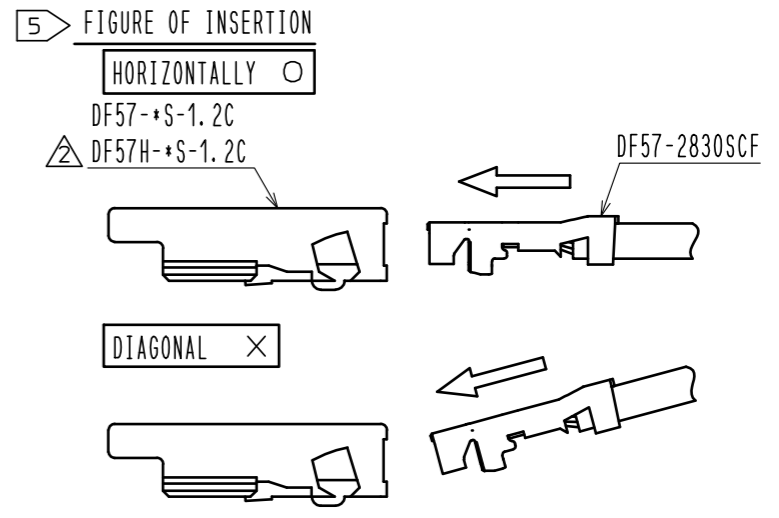
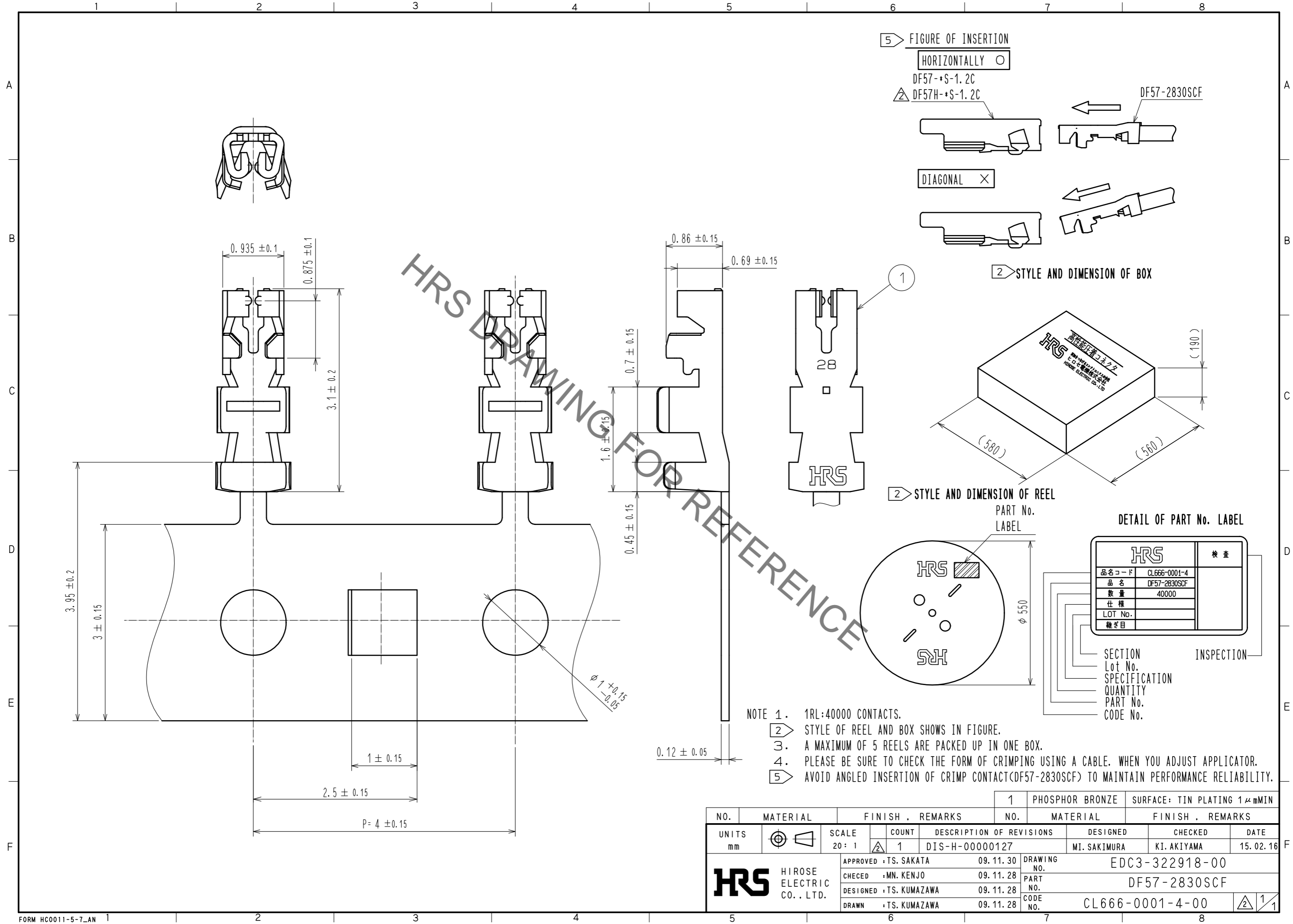
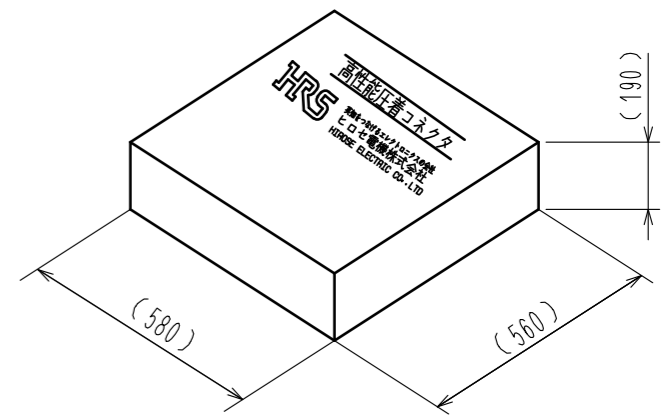


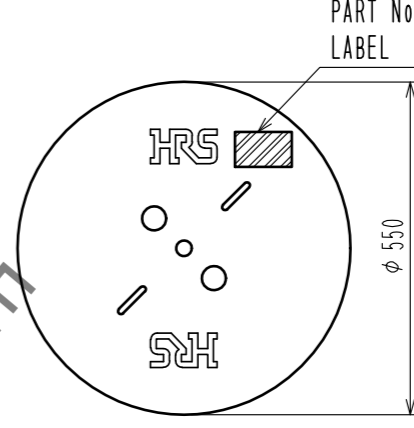
Oct.1.2020 Copyright 2020 HIROSE ELECTRIC CO., LTD. All Rights Reserved.
 In case of consideration for using Automotive equipment / device which demand high reliability, kindly contact our sales window correspondents.



2 STYLE AND DIMENSION OF BOX



2 STYLE AND DIMENSION OF REEL



DETAIL OF PART No. LABEL

HRS		検査
品名コード	CL666-0001-4	
品名	DF57-2830SCF	
数量	40000	
仕様		
LOT No.		
継ぎ目		

SECTION
 Lot No.
 SPECIFICATION
 QUANTITY
 PART No.
 CODE No.

INSPECTION

- NOTE 1. 1RL:40000 CONTACTS.
 2 STYLE OF REEL AND BOX SHOWS IN FIGURE.
 3. A MAXIMUM OF 5 REELS ARE PACKED UP IN ONE BOX.
 4. PLEASE BE SURE TO CHECK THE FORM OF CRIMPING USING A CABLE. WHEN YOU ADJUST APPLICATOR.
 5 AVOID ANGLED INSERTION OF CRIMP CONTACT(DF57-2830SCF) TO MAINTAIN PERFORMANCE RELIABILITY.

NO.	MATERIAL	FINISH	REMARKS	NO.	MATERIAL	FINISH	REMARKS
				1	PHOSPHOR BRONZE		SURFACE: TIN PLATING 1 μmMIN

UNITS mm		SCALE 20:1	COUNT 1	DESCRIPTION OF REVISIONS DIS-H-00000127	DESIGNED MI. SAKIMURA	CHECKED KI. AKIYAMA	DATE 15.02.16
APPROVED : TS. SAKATA 09.11.30				DRAWING NO. EDC3-322918-00			
CHECKED : MN. KENJO 09.11.28				PART NO. DF57-2830SCF			
DESIGNED : TS. KUMAZAWA 09.11.28				CODE NO. CL666-0001-4-00			
DRAWN : TS. KUMAZAWA 09.11.28				1/1			