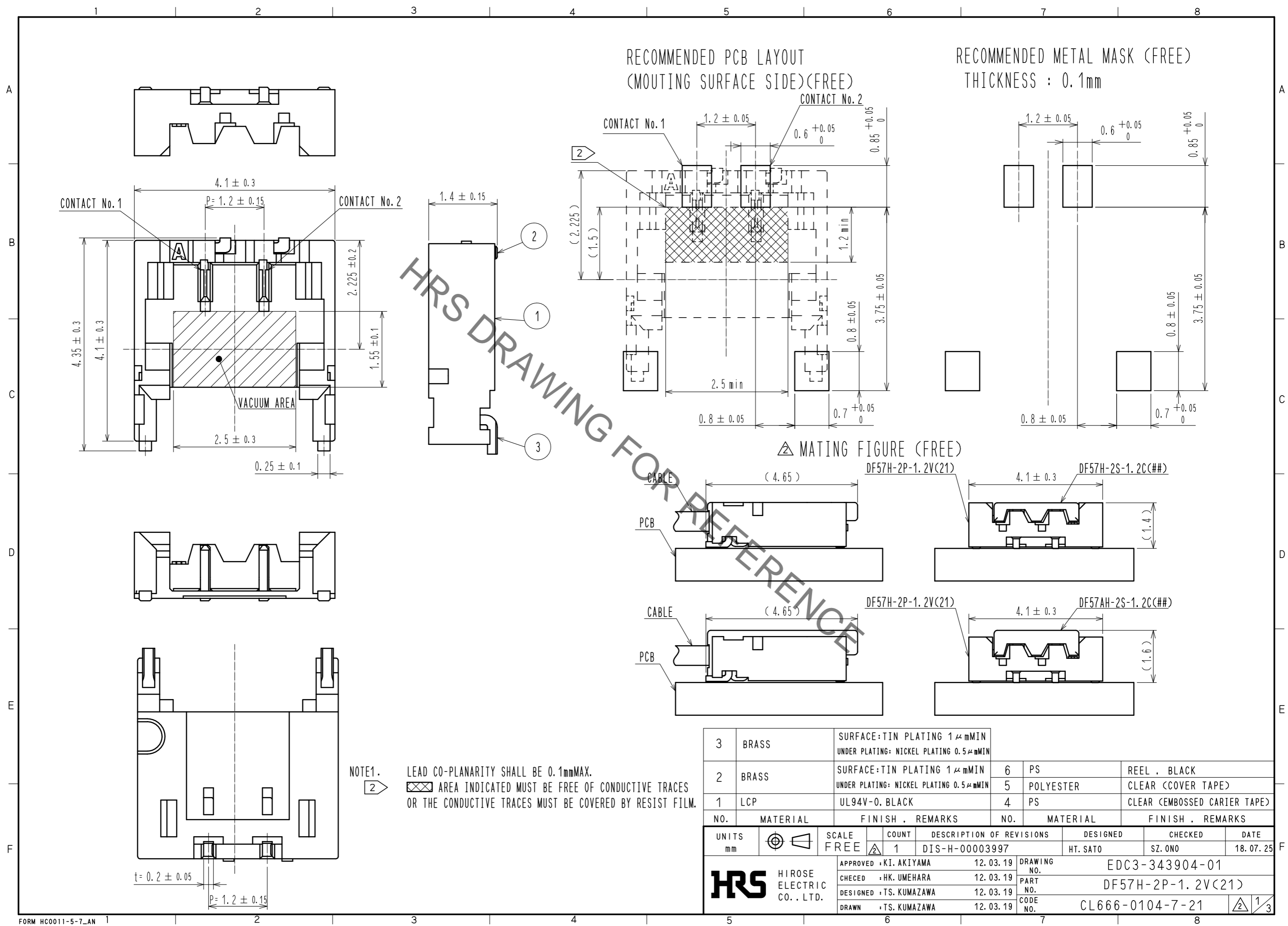
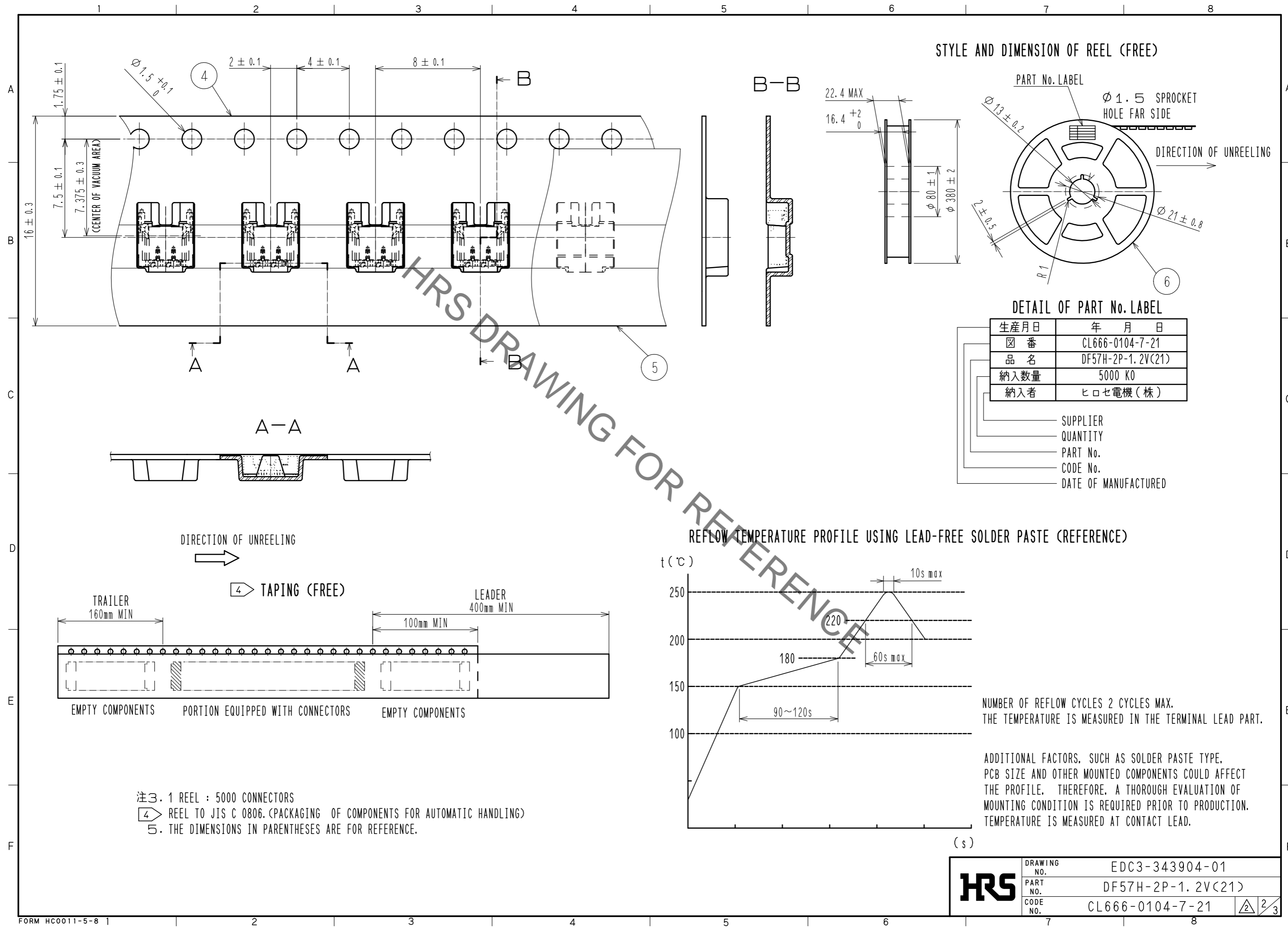


May.1.2022 Copyright 2022 HIROSE ELECTRIC CO., LTD. All Rights Reserved.
 In case of consideration for using Automotive equipment / device which demand high reliability, kindly contact our sales window correspondents.

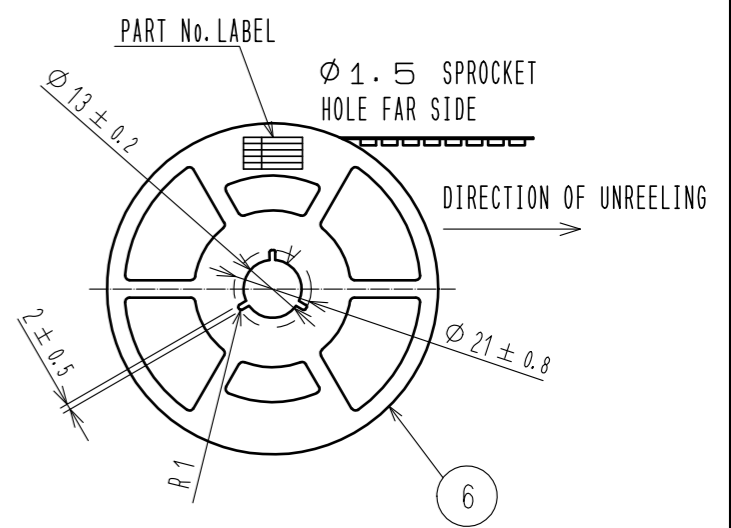


3	BRASS	SURFACE: TIN PLATING 1 μmMIN UNDER PLATING: NICKEL PLATING 0.5 μmMIN	6	PS	REEL, BLACK
2	BRASS	SURFACE: TIN PLATING 1 μmMIN UNDER PLATING: NICKEL PLATING 0.5 μmMIN	5	POLYESTER	CLEAR (COVER TAPE)
1	LCP	UL94V-0, BLACK	4	PS	CLEAR (EMBOSSED CARRIER TAPE)
NO.	MATERIAL	FINISH, REMARKS	NO.	MATERIAL	FINISH, REMARKS
UNITS: mm		SCALE: FREE	COUNT: 1	DESCRIPTION OF REVISIONS: DIS-H-00003997	
DESIGNED: HT. SATO		CHECKED: SZ. ONO		DATE: 18.07.25	
APPROVED: KI. AKIYAMA 12.03.19			DRAWING NO.: EDC3-343904-01		
CHECKED: HK. UMEHARA 12.03.19			PART NO.: DF57H-2P-1.2V(21)		
DESIGNED: TS. KUMAZAWA 12.03.19			CODE NO.: CL666-0104-7-21		
DRAWN: TS. KUMAZAWA 12.03.19			1/3		

May.1.2022 Copyright 2022 HIROSE ELECTRIC CO., LTD. All Rights Reserved.
 In case of consideration for using Automotive equipment / device which demand high reliability, kindly contact our sales window correspondents.



STYLE AND DIMENSION OF REEL (FREE)

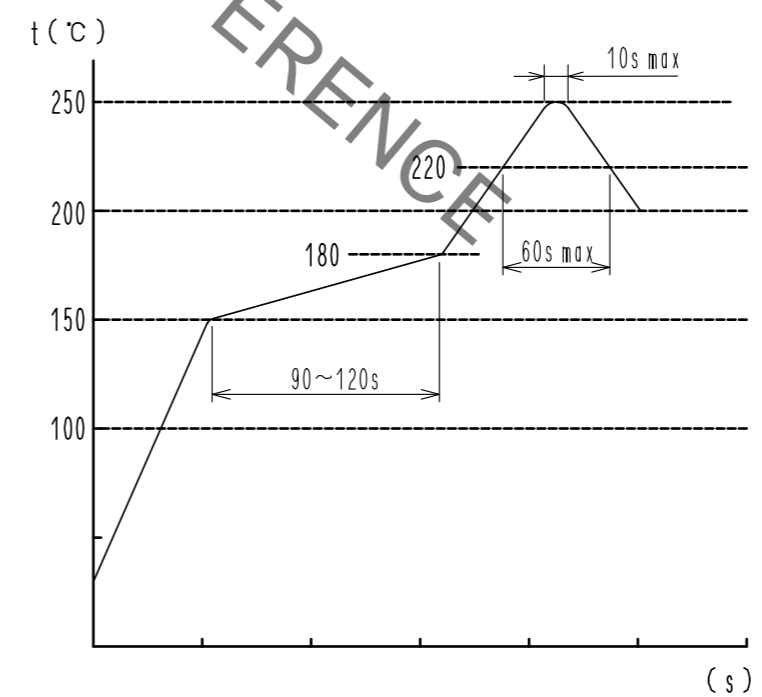


DETAIL OF PART No. LABEL

生産月日	年 月 日
図 番	CL666-0104-7-21
品 名	DF57H-2P-1.2V(21)
納入数量	5000 KO
納入者	ヒロセ電機(株)

- SUPPLIER
- QUANTITY
- PART No.
- CODE No.
- DATE OF MANUFACTURED

REFLOW TEMPERATURE PROFILE USING LEAD-FREE SOLDER PASTE (REFERENCE)



NUMBER OF REFLOW CYCLES 2 CYCLES MAX.
 THE TEMPERATURE IS MEASURED IN THE TERMINAL LEAD PART.

ADDITIONAL FACTORS, SUCH AS SOLDER PASTE TYPE,
 PCB SIZE AND OTHER MOUNTED COMPONENTS COULD AFFECT
 THE PROFILE. THEREFORE, A THOROUGH EVALUATION OF
 MOUNTING CONDITION IS REQUIRED PRIOR TO PRODUCTION.
 TEMPERATURE IS MEASURED AT CONTACT LEAD.

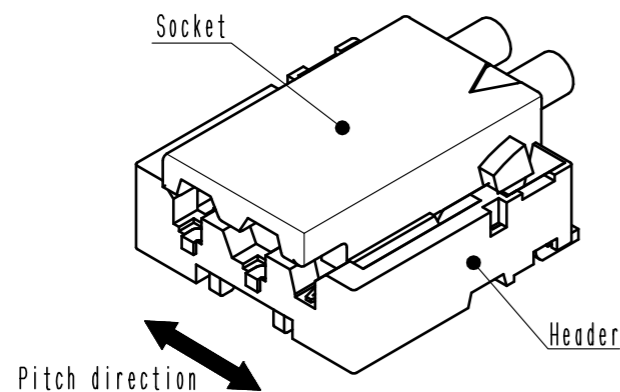
- 注3. 1 REEL : 5000 CONNECTORS
- ④ REEL TO JIS C 0806.(PACKAGING OF COMPONENTS FOR AUTOMATIC HANDLING)
- 5. THE DIMENSIONS IN PARENTHESES ARE FOR REFERENCE.

HRS	DRAWING NO.	EDC3-343904-01
	PART NO.	DF57H-2P-1.2V(21)
	CODE NO.	CL666-0104-7-21
		2/3

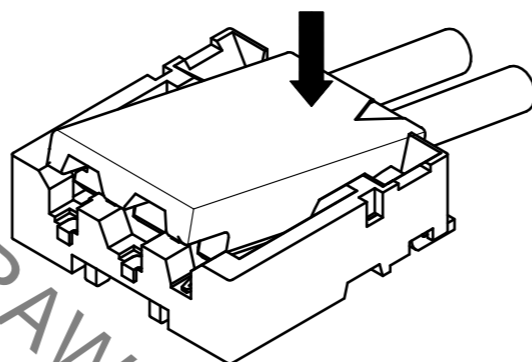
DF57 Series Mating / Unmating Operation Instruction

Mating

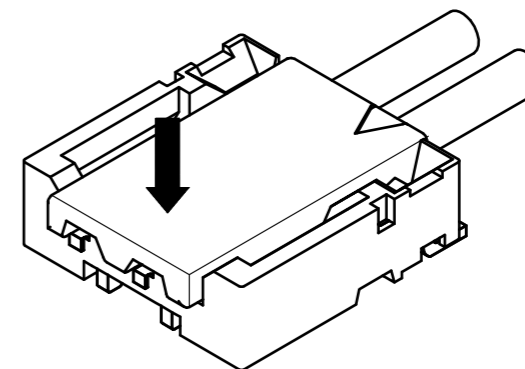
① By positioning the convexity of the socket sides to the header concavity, align the centers of the socket and the header in pitch direction.



② Slightly press the socket down at cable side to tilted angle.

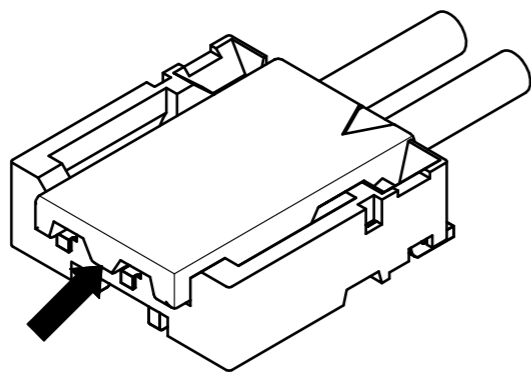


③ Press down at the lever side with stabilizing the cable side to insert. Mating completes.

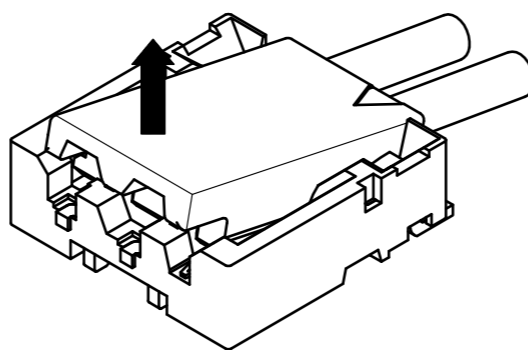


Unmating

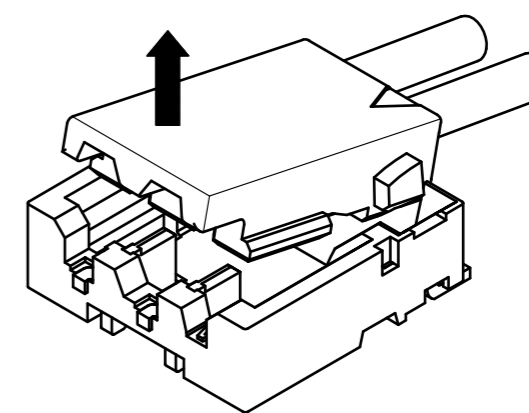
① Hook the lever with finger nail.



② Lift up to the upper direction and friction lock is released.



③ Lift up to the upper direction and positive lock is released. Removal completes.



HRS DRAWING FOR REFERENCE

HRS	DRAWING NO.	EDC3-343904-01
	PART NO.	DF57H-2P-1.2V(21)
	CODE NO.	CL666-0104-7-21
		3/3

May.1.2022 Copyright 2022 HIROSE ELECTRIC CO., LTD. All Rights Reserved. In case of consideration for using Automotive equipment / device which demand high reliability, kindly contact our sales window correspondents.