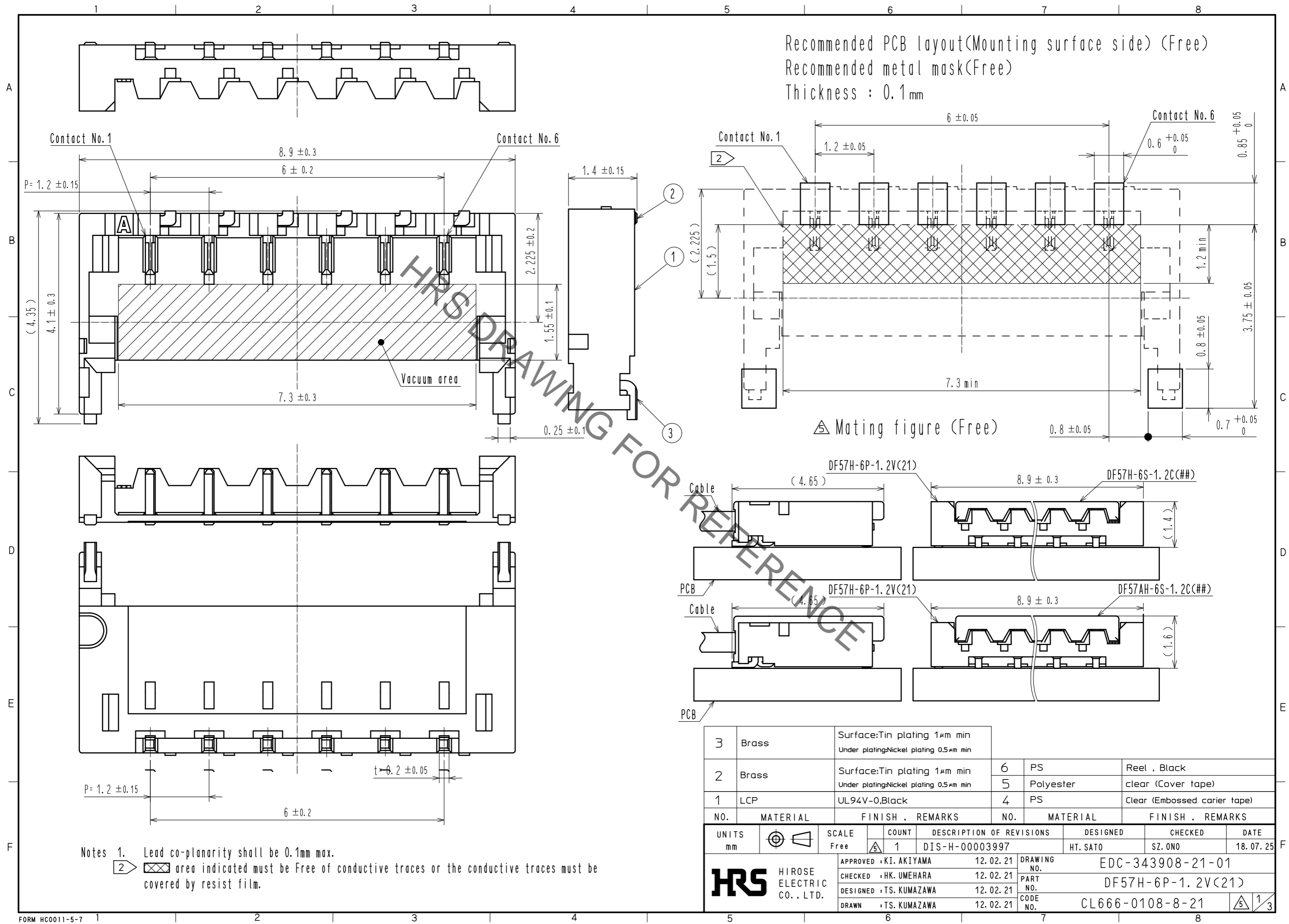


Dec.1.2020 Copyright 2020 HIROSE ELECTRIC CO., LTD. All Rights Reserved.  
 In case of consideration for using Automotive equipment / device which demand high reliability, kindly contact our sales window correspondents.



NO.	MATERIAL	FINISH	REMARKS	NO.	MATERIAL	FINISH	REMARKS
3	Brass	Surface: Tin plating 1μm min Under plating: Nickel plating 0.5μm min		6	PS		Reel, Black
2	Brass	Surface: Tin plating 1μm min Under plating: Nickel plating 0.5μm min		5	Polyester		clear (Cover tape)
1	LCP	UL94V-0, Black		4	PS		Clear (Embossed carrier tape)

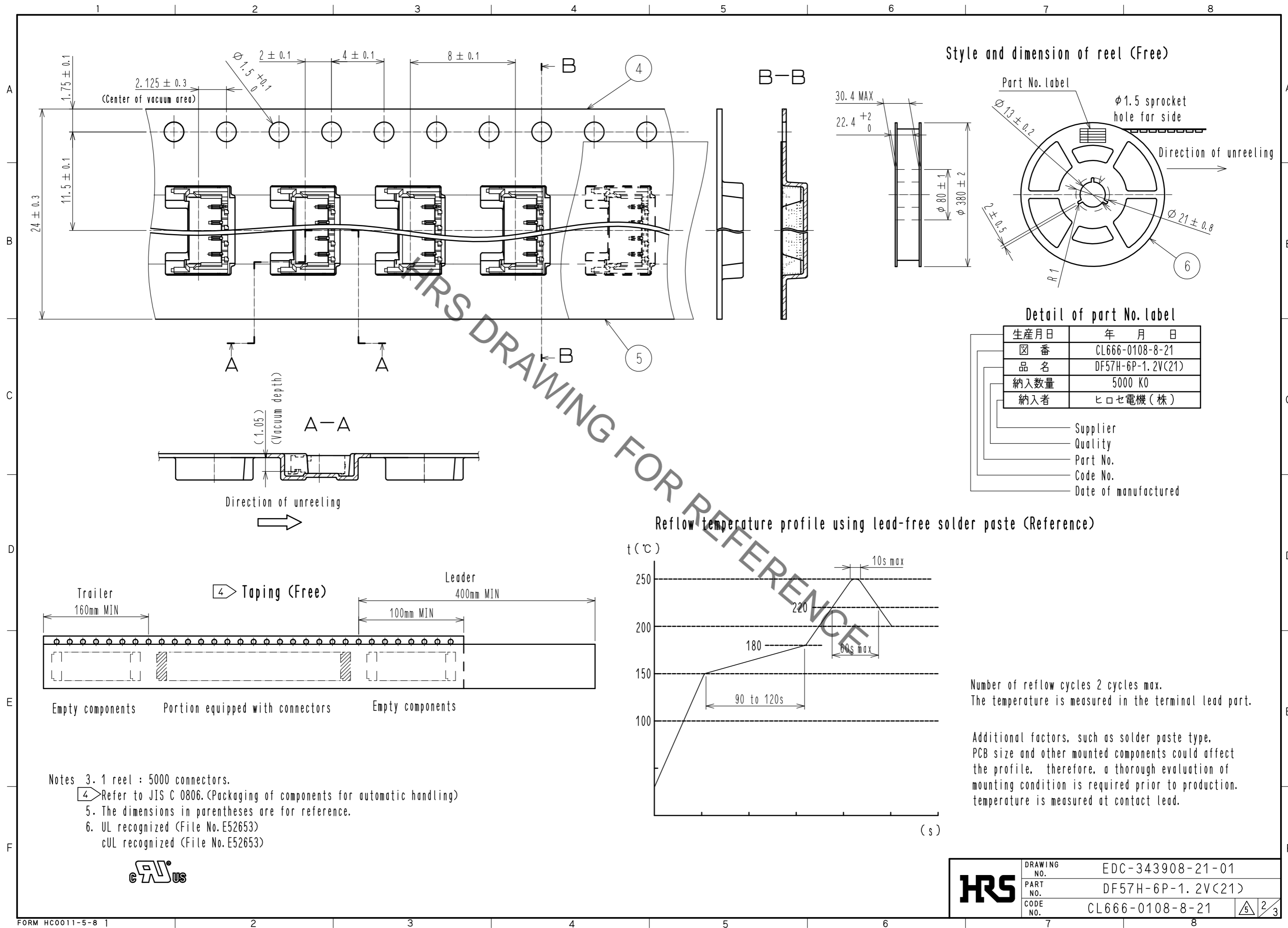
  

UNITS	SCALE	COUNT	DESCRIPTION OF REVISIONS	DESIGNED	CHECKED	DATE
mm	Free	1	DIS-H-00003997	HT. SATO	SZ. ONO	18.07.25

APPROVED	CHECKED	DESIGNED	DRAWN	DRAWING NO.	PART NO.	CODE NO.
KI. AKIYAMA	HK. UMEHARA	TS. KUMAZAWA	TS. KUMAZAWA	EDC-343908-21-01	DF57H-6P-1.2V(21)	CL666-0108-8-21

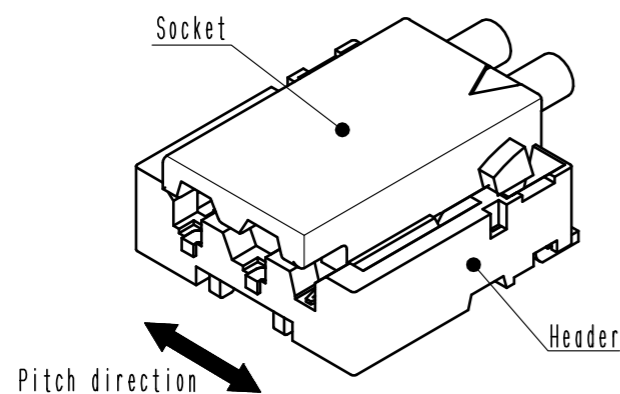
Dec.1.2020 Copyright 2020 HIROSE ELECTRIC CO., LTD. All Rights Reserved.  
 In case of consideration for using Automotive equipment / device which demand high reliability, kindly contact our sales window correspondents.



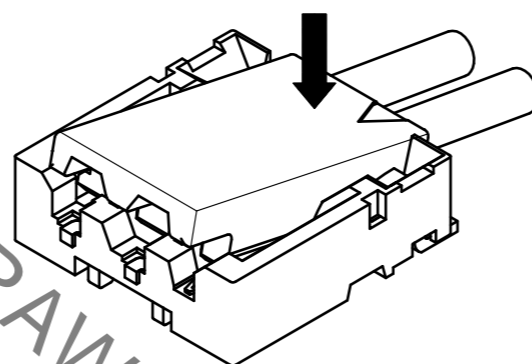
<b>HRS</b>	DRAWING NO.	EDC-343908-21-01
	PART NO.	DF57H-6P-1.2V(C21)
	CODE NO.	CL666-0108-8-21
		△ 2/3

Dec.1.2020 Copyright 2020 HIROSE ELECTRIC CO., LTD. All Rights Reserved.  
In case of consideration for using Automotive equipment / device which demand high reliability, kindly contact our sales window correspondents.

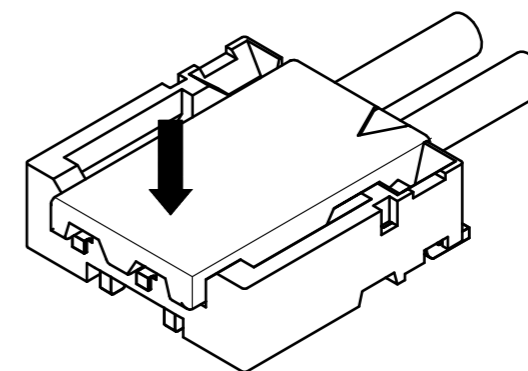
①By positioning the convexity of the socket sides to the header concavity, align the centers of the socket and the header in pitch direction.



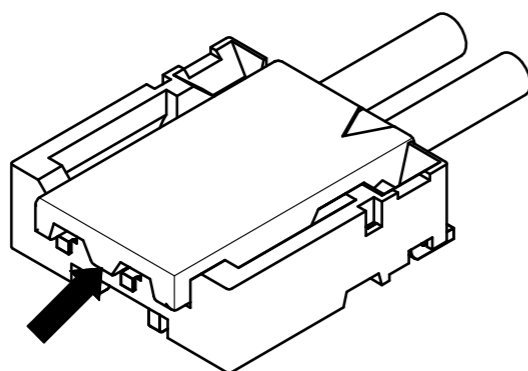
②Slightly press the socket down at cable side to tilted angle.



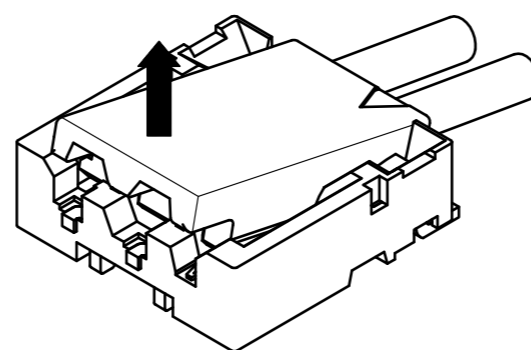
③Press down at the lever side with stabilizing the cable side to insert. Mating completes.



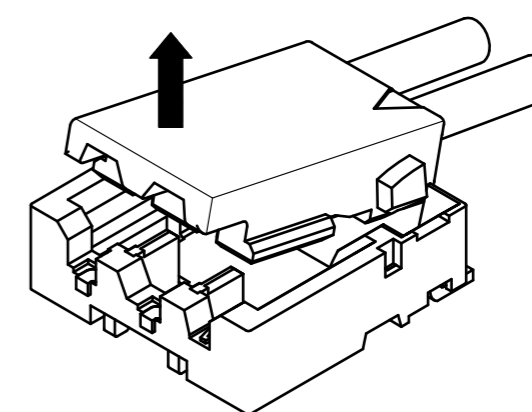
①Hook the lever with finger nail.



②Lift up to the upper direction and friction lock is released.



③Lift up to the upper direction and positive lock is released. Removal completes.



HRS DRAWING FOR REFERENCE

<b>HRS</b>	DRAWING NO.	EDC-343908-21-01
	PART NO.	DF57H-6P-1.2V(21)
	CODE NO.	CL666-0108-8-21
		3/3