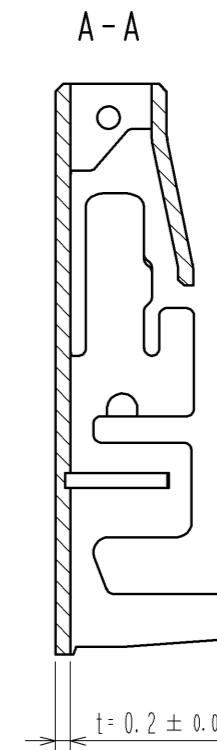
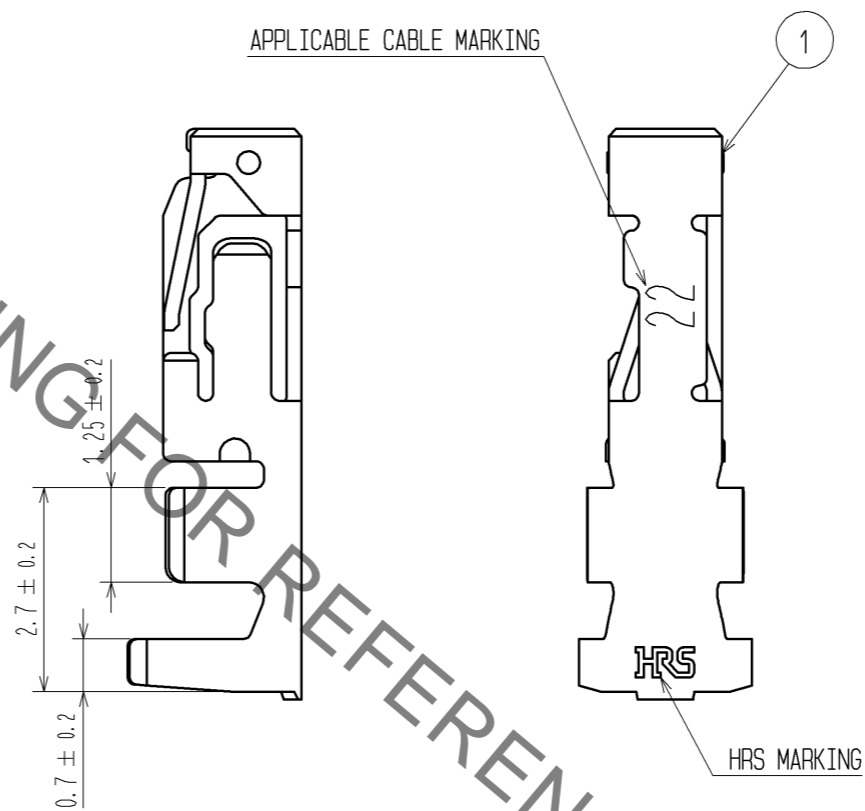
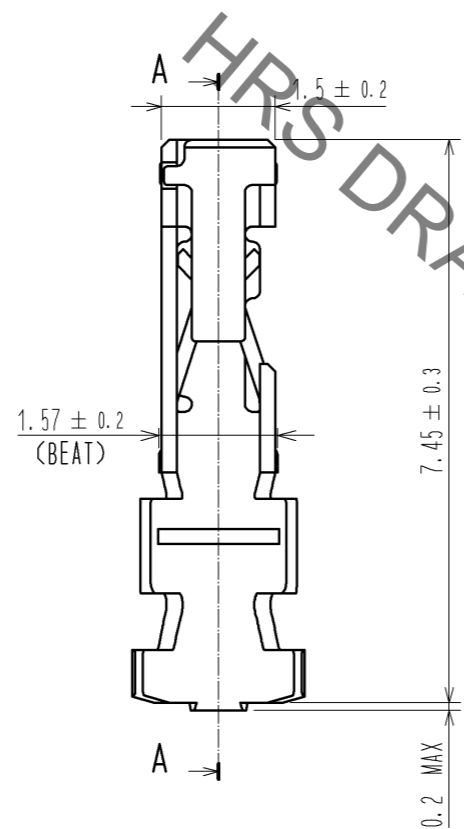
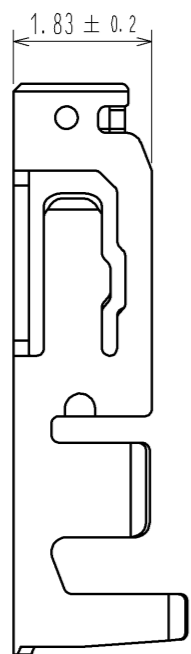


Dec.1.2019 Copyright 2019 HIROSE ELECTRIC CO., LTD. All Rights Reserved.
 In case of consideration for using Automotive equipment / device which demand high reliability, kindly contact our sales window correspondents.



NOTE 1. 1PACK:100 CONTACTS

NO.	MATERIAL	FINISH . REMARKS	NO.	MATERIAL	FINISH . REMARKS			
1	PHOSPHOR BRONZE	TIN PLATING 1μm MIN						
UNITS	SCALE	COUNT	DESCRIPTION OF REVISIONS			DESIGNED	CHECKED	DATE
mm	10:1	△						
HRS HIROSE ELECTRIC CO., LTD.			APPROVED : KI. AKIYAMA	14.04.26	DRAWING NO. EDC3-352024-00			
			CHECED : KI. AKIYAMA	14.04.26	PART NO. DF62-22SC			
			DESIGNED : TS. KUMAZAWA	14.04.25	CODE NO. CL544-0572-0-00			
			DRAWN : TS. KUMAZAWA	14.04.25	△ 1/1			