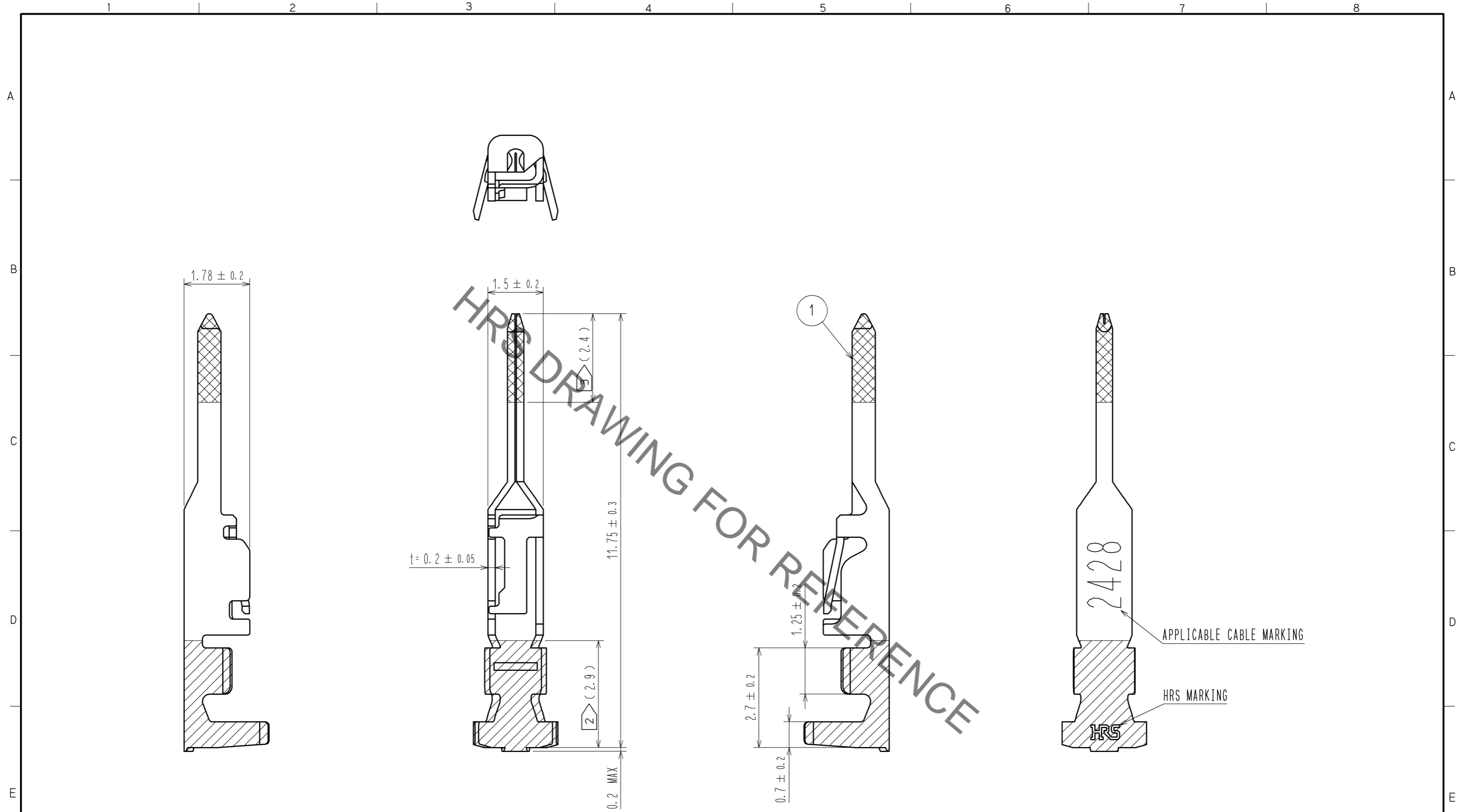


Nov.1.2020 Copyright 2020 HIROSE ELECTRIC CO., LTD. All Rights Reserved.
 In case of consideration for using Automotive equipment / device which demand high reliability, kindly contact our sales window correspondents.



NOTE 1. 1PACK:100 CONTACTS
 2 TIN PLATING AREA.
 3 GOLD PLATING AREA.
 4. THE DIMENSIONS IN PARENTHESIS ARE FOR REFERENCE.

NO. 1		MATERIAL PHOSPHOR BRONZE		FINISH . REMARKS CONTACT AREA : GOLD PLATING 0.2μm MIN BARREL AREA : TIN PLATING 1μm MIN OTHERS : NICKEL PLATING 0.5μm MIN		
UNITS mm	SCALE 10:1	COUNT	DESCRIPTION OF REVISIONS	DESIGNED	CHECKED	DATE
APPROVED : KI. AKIYAMA		12.07.21	DRAWING NO.	EDC3-345110-00		
CHECKED : MN. KENJO		12.07.21	PART NO.	DF62-EP2428PCA		
DESIGNED : TO. HORII		12.07.20	CODE NO.	CL544-0530-0-00		
DRAWN : TO. HORII		12.07.20				1/1



HIROSE ELECTRIC CO., LTD.