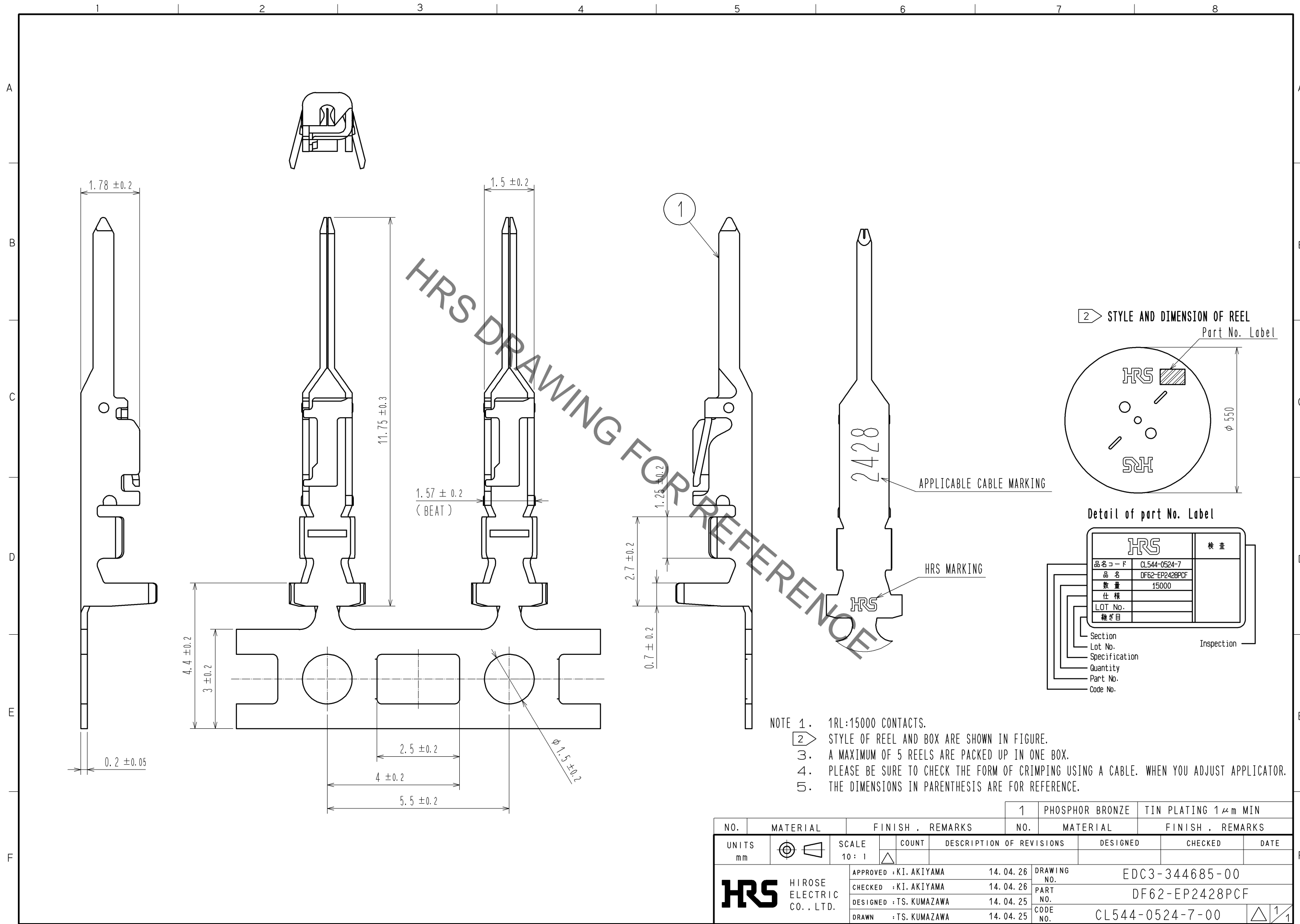


Dec.1.2019 Copyright 2019 HIROSE ELECTRIC CO., LTD. All Rights Reserved.  
In case of consideration for using Automotive equipment / device which demand high reliability, kindly contact our sales window correspondents.



- NOTE 1. 1RL:15000 CONTACTS.  
 2. STYLE OF REEL AND BOX ARE SHOWN IN FIGURE.  
 3. A MAXIMUM OF 5 REELS ARE PACKED UP IN ONE BOX.  
 4. PLEASE BE SURE TO CHECK THE FORM OF CRIMPING USING A CABLE. WHEN YOU ADJUST APPLICATOR.  
 5. THE DIMENSIONS IN PARENTHESIS ARE FOR REFERENCE.

NO.	MATERIAL	FINISH	REMARKS	NO.	MATERIAL	FINISH	REMARKS
				1	PHOSPHOR BRONZE	TIN PLATING	1 μm MIN

UNITS	SCALE	COUNT	DESCRIPTION OF REVISIONS	DESIGNED	CHECKED	DATE
mm	10:1	△				

<b>HRS</b> HIROSE ELECTRIC CO., LTD.	APPROVED	: KI. AKIYAMA	14. 04. 26	DRAWING NO.	EDC3-344685-00	
	CHECKED	: KI. AKIYAMA	14. 04. 26	PART NO.	DF62-EP2428PCF	
	DESIGNED	: TS. KUMAZAWA	14. 04. 25	CODE NO.	CL544-0524-7-00	
	DRAWN	: TS. KUMAZAWA	14. 04. 25			