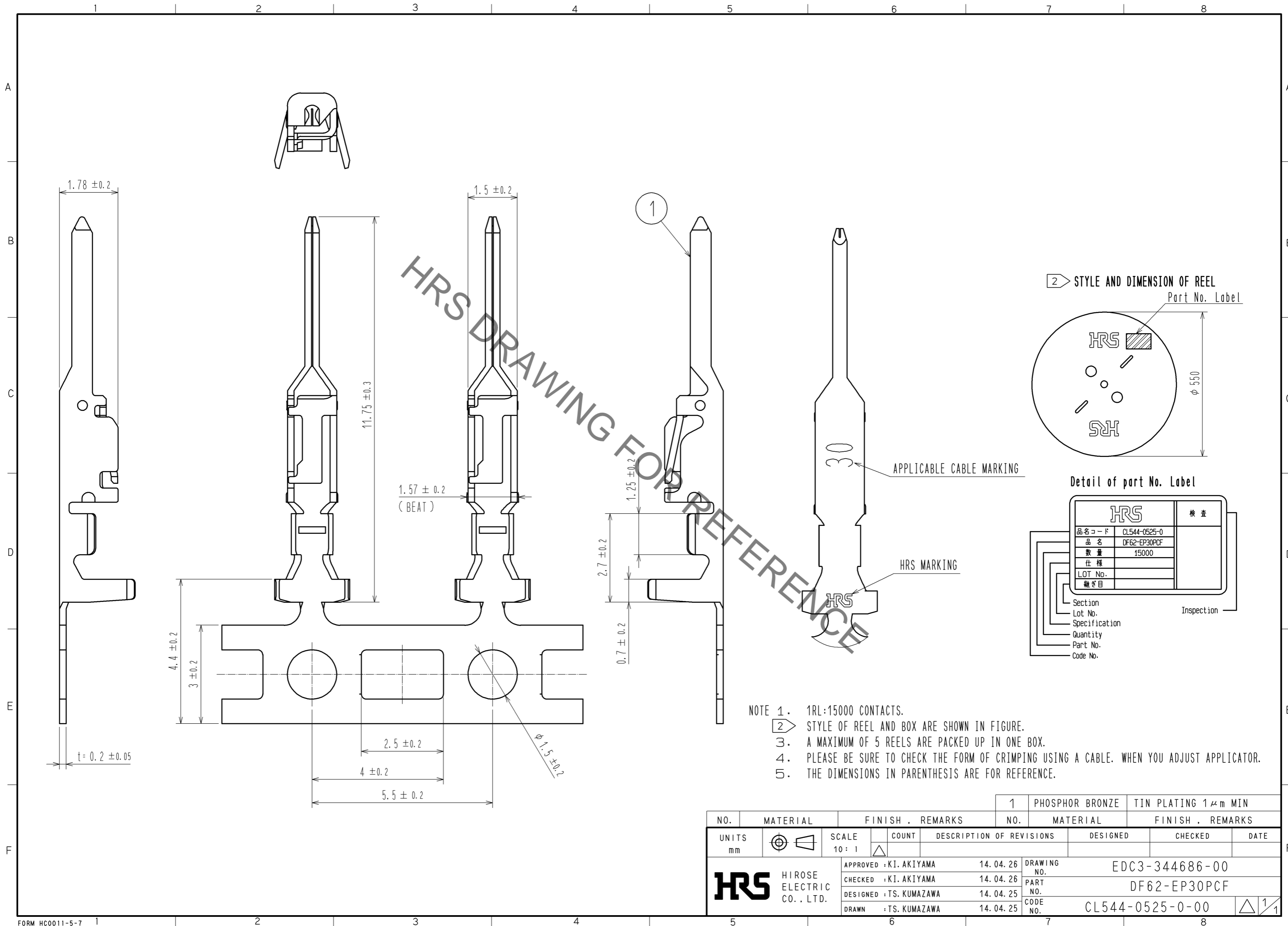
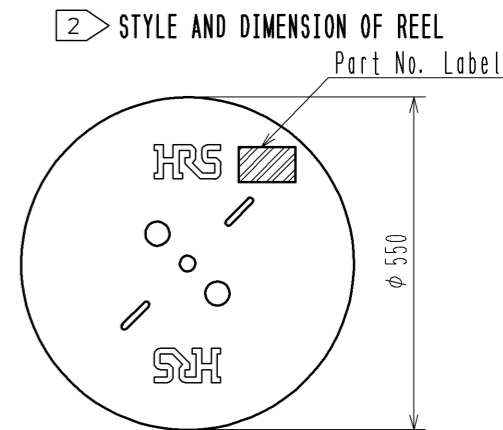


Dec.1.2019 Copyright 2019 HIROSE ELECTRIC CO., LTD. All Rights Reserved.  
In case of consideration for using Automotive equipment / device which demand high reliability, kindly contact our sales window correspondents.



- NOTE 1. 1RL:15000 CONTACTS.  
 2. STYLE OF REEL AND BOX ARE SHOWN IN FIGURE.  
 3. A MAXIMUM OF 5 REELS ARE PACKED UP IN ONE BOX.  
 4. PLEASE BE SURE TO CHECK THE FORM OF CRIMPING USING A CABLE. WHEN YOU ADJUST APPLICATOR.  
 5. THE DIMENSIONS IN PARENTHESIS ARE FOR REFERENCE.

NO.	MATERIAL	FINISH	REMARKS	NO.	MATERIAL	FINISH	REMARKS			
				1	PHOSPHOR BRONZE	TIN PLATING 1 μm MIN				
UNITS mm		SCALE 10:1	COUNT 	DESCRIPTION OF REVISIONS				DESIGNED	CHECKED	DATE
			APPROVED : KI. AKIYAMA	14. 04. 26	DRAWING NO.		EDC3-344686-00			
HIROSE ELECTRIC CO., LTD.			CHECKED : KI. AKIYAMA	14. 04. 26	PART NO.		DF62-EP30PCF			
			DESIGNED : TS. KUMAZAWA	14. 04. 25	CODE NO.		CL544-0525-0-00			
			DRAWN : TS. KUMAZAWA	14. 04. 25			1/1			



Detail of part No. Label

HRS		検査
品名コード	CL544-0525-0	
品名	DF62-EP30PCF	
数量	15000	
仕様		
LOT No.		
継ぎ目		

Section  
Lot No.  
Specification  
Quantity  
Part No.  
Code No.

Inspection