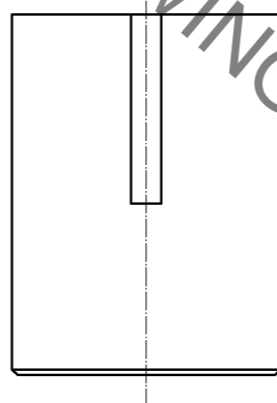
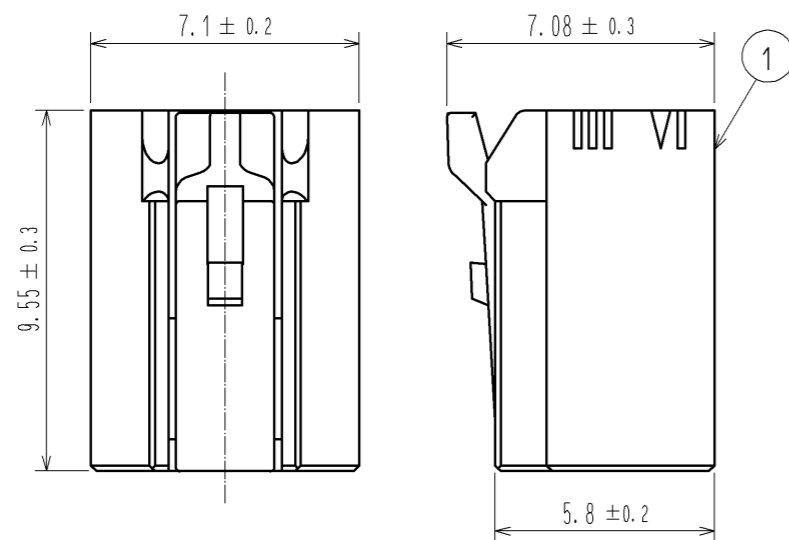
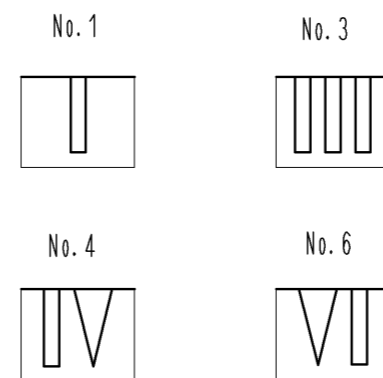
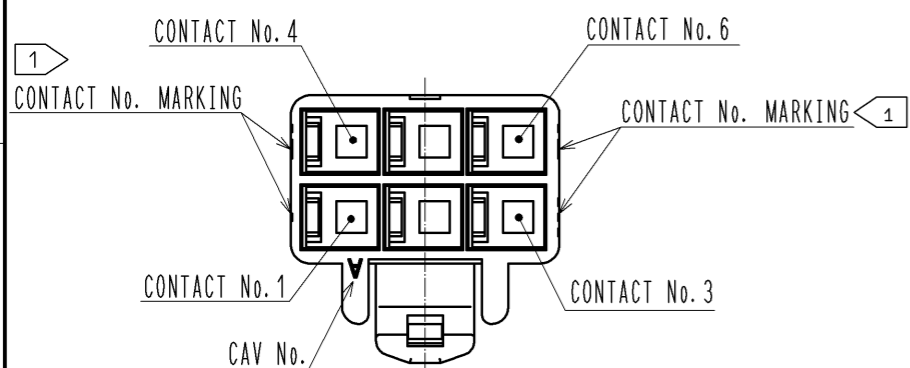
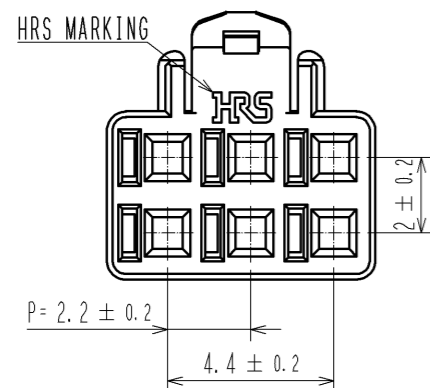
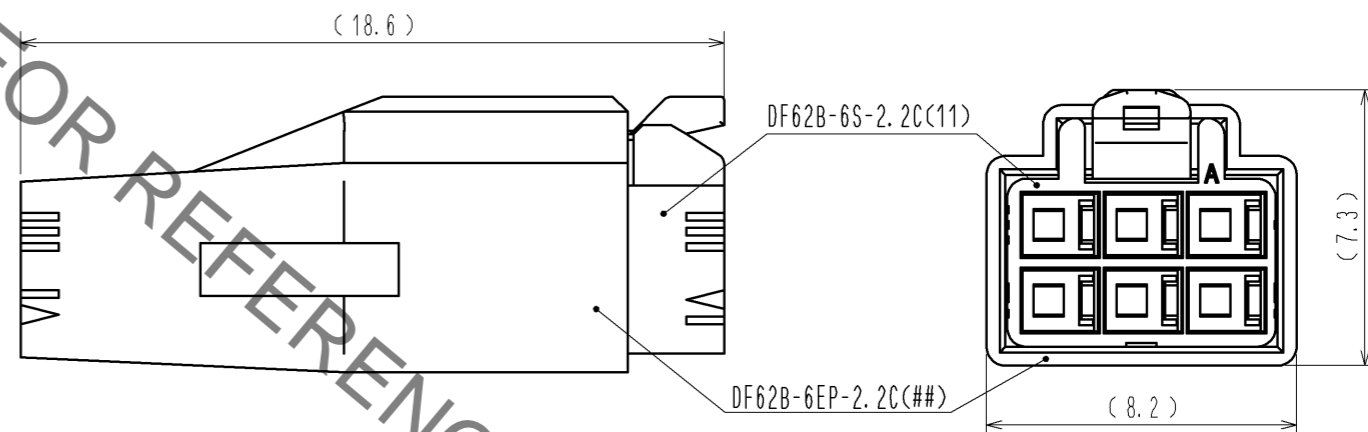


Jun.1.2021 Copyright 2021 HIROSE ELECTRIC CO., LTD. All Rights Reserved.
 In case of consideration for using Automotive equipment / device which demand high reliability, kindly contact our sales window correspondents.

1> FIGURE-1 CONTACT No. MARKING (10:1)



MATING FIGURE



- NOTE. 1> MARKINGS AT THE INDICATED POSITIONS ARE CONTACT NO. MARKING. AND SHAPES ARE SHOWN IN FIGURE-1.
 2. PER PACK : 100 PIECES.
 3. THE DIMENSIONS IN PARENTHESIS ARE FOR REFERENCE.

| | | | | | | | | |
|-------------|--|---------------------------|--|-------------------------|--|--------------------------|----------------------------|-----------------|
| NO. | | MATERIAL | | FINISH . REMARKS | | 1 | PBT | UL94V-0 (BLACK) |
| UNITS mm | | SCALE 5 : 1 | | COUNT | | DESCRIPTION OF REVISIONS | | |
| HRS | | HIROSE ELECTRIC CO., LTD. | | APPROVED : KI. AKIYAMA | | 13.05.29 | DRAWING NO. EDC3-351960-01 | |
| | | | | CHECKED : HK. UMEHARA | | 13.05.29 | PART NO. DF62B-6S-2.2C(11) | |
| | | | | DESIGNED : TS. KUMAZAWA | | 13.05.29 | CODE NO. CL544-0555-0-11 | |
| | | | | DRAWN : TS. KUMAZAWA | | 13.05.29 | DATE | |