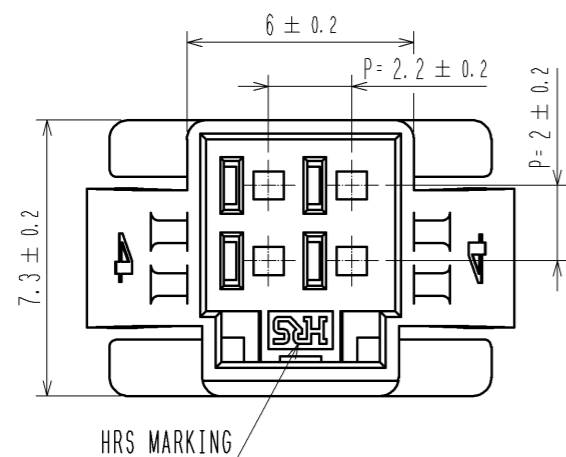
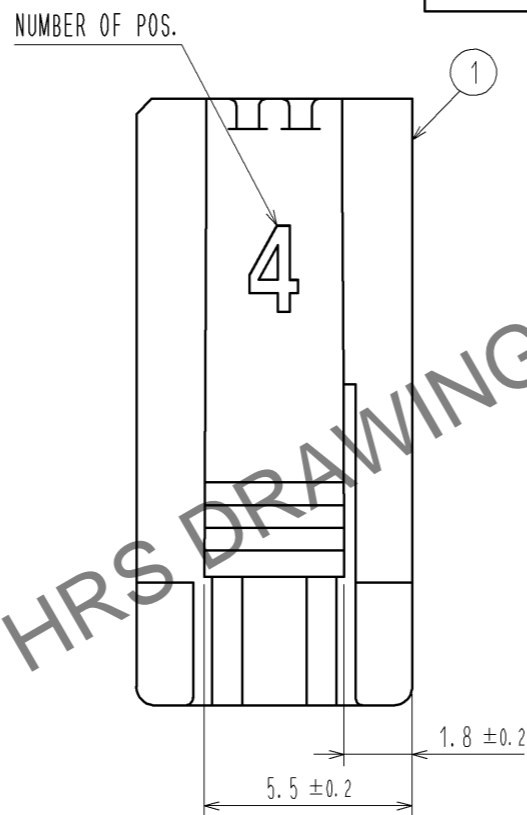
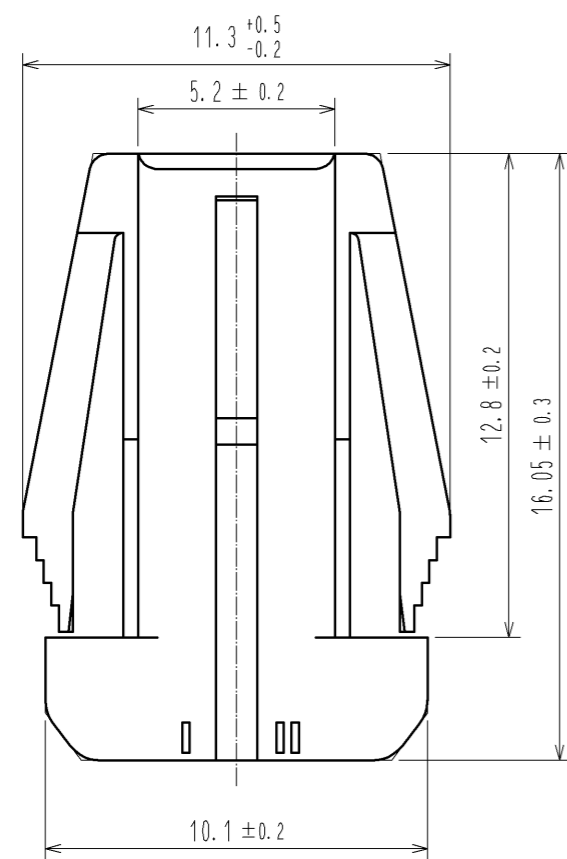
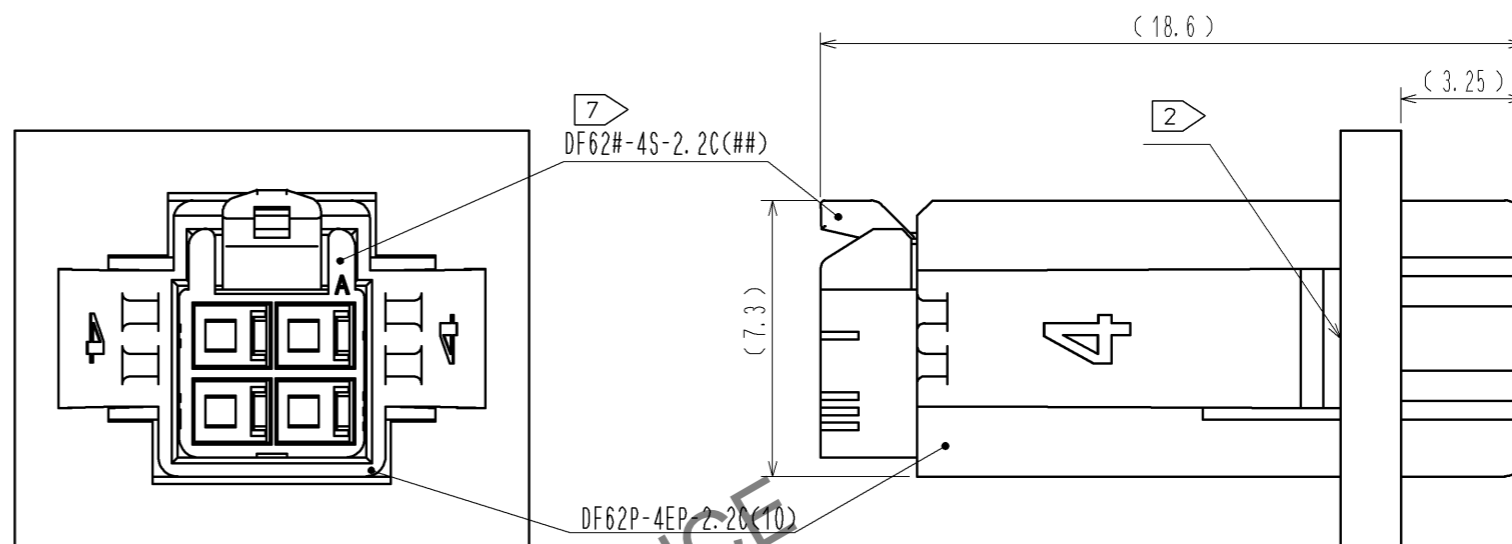


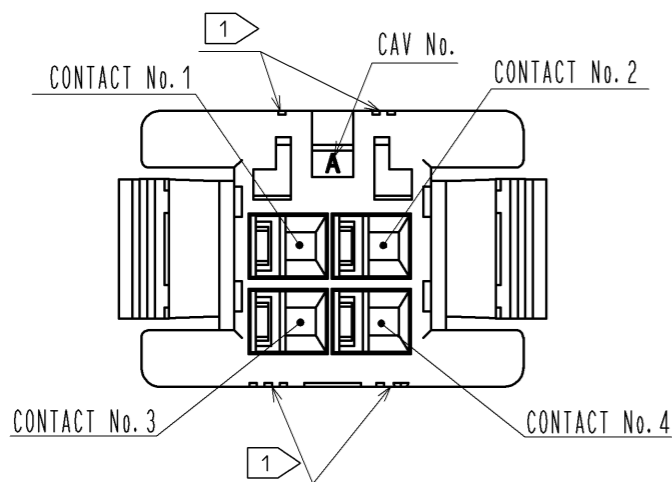
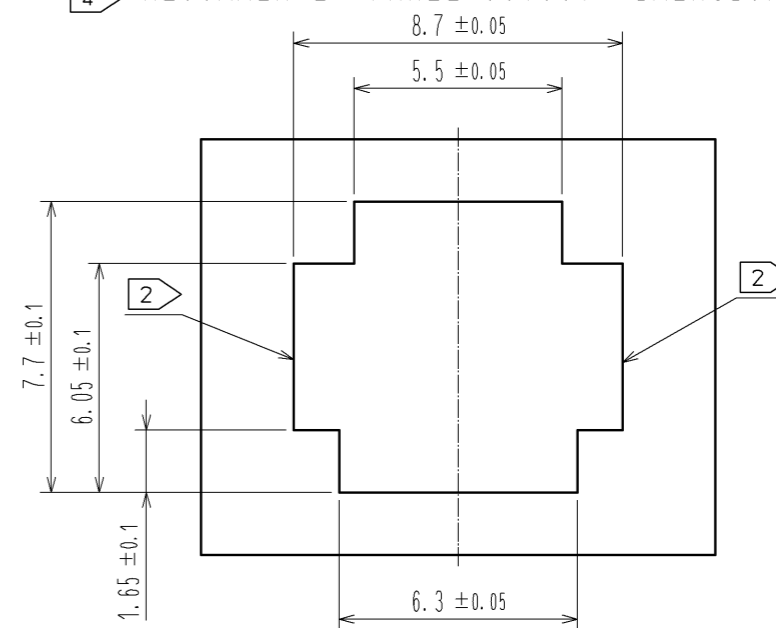
Mar.1.2025 Copyright 2025 HIROSE ELECTRIC CO., LTD. All Rights Reserved.
In case of consideration for using Automotive equipment / device which demand high reliability, kindly contact our sales window correspondents.



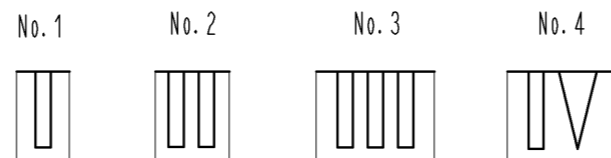
7 MATING FIGURE (PANEL MOUNTED)



3 4 RECOMMENDED PANEL CUTOUT DIMENSION



1 FIGURE-1 CONTACT No. MARKING (10:1)



- NOTE. 1 MARKINGS AT THE INDICATED POSITIONS ARE CONTACT NO. MARKING. AND SHAPES ARE SHOWN IN FIGURE-1.
 2 PLEASE USE THE NON-RADIUS SIDE FOR THE PANEL HOOKING AREA.
 3 APPLICABLE PANEL THICKNESSING IS 2.3 TO 0.5mm.
 4 CONSULT HIROSE FOR THE OTHER PANEL CUTOUT DESIGNS THAN THE RECOMMENDED ONE.
 5. PER PACK : 100 PIECES.
 6. THE DIMENSIONS IN PARENTHESIS ARE FOR REFERENCE.
 7 THIS FIGURE SHOWS THE MATED CONDITION WITH DF62B-4S-2-2C.

NO.	MATERIAL	FINISH . REMARKS	NO.	MATERIAL	FINISH . REMARKS
			1	PBT	UL94V-0(WHITE)
UNITS	mm	SCALE	5 : 1	COUNT	DESCRIPTION OF REVISIONS
APPROVED : KI. AKIYAMA		14. 03. 10		DRAWING NO. EDC3-349137-01	
CHECKED : HK. UMEHARA		14. 03. 10		PART NO. DF62P-4EP-2-2C(10)	
DESIGNED : TS. KUMAZAWA		14. 03. 07		CODE NO. CL544-0545-7-10	
DRAWN : TS. KUMAZAWA		14. 03. 07		DATE	