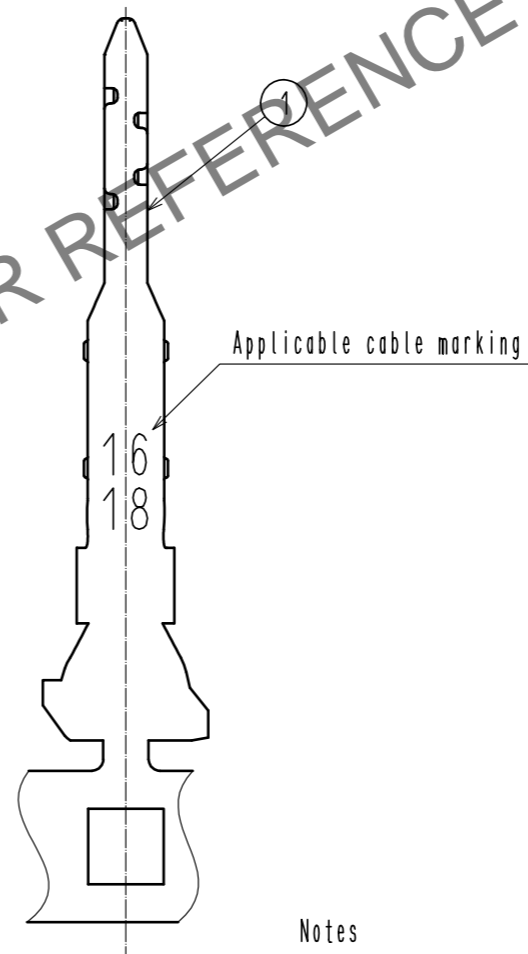
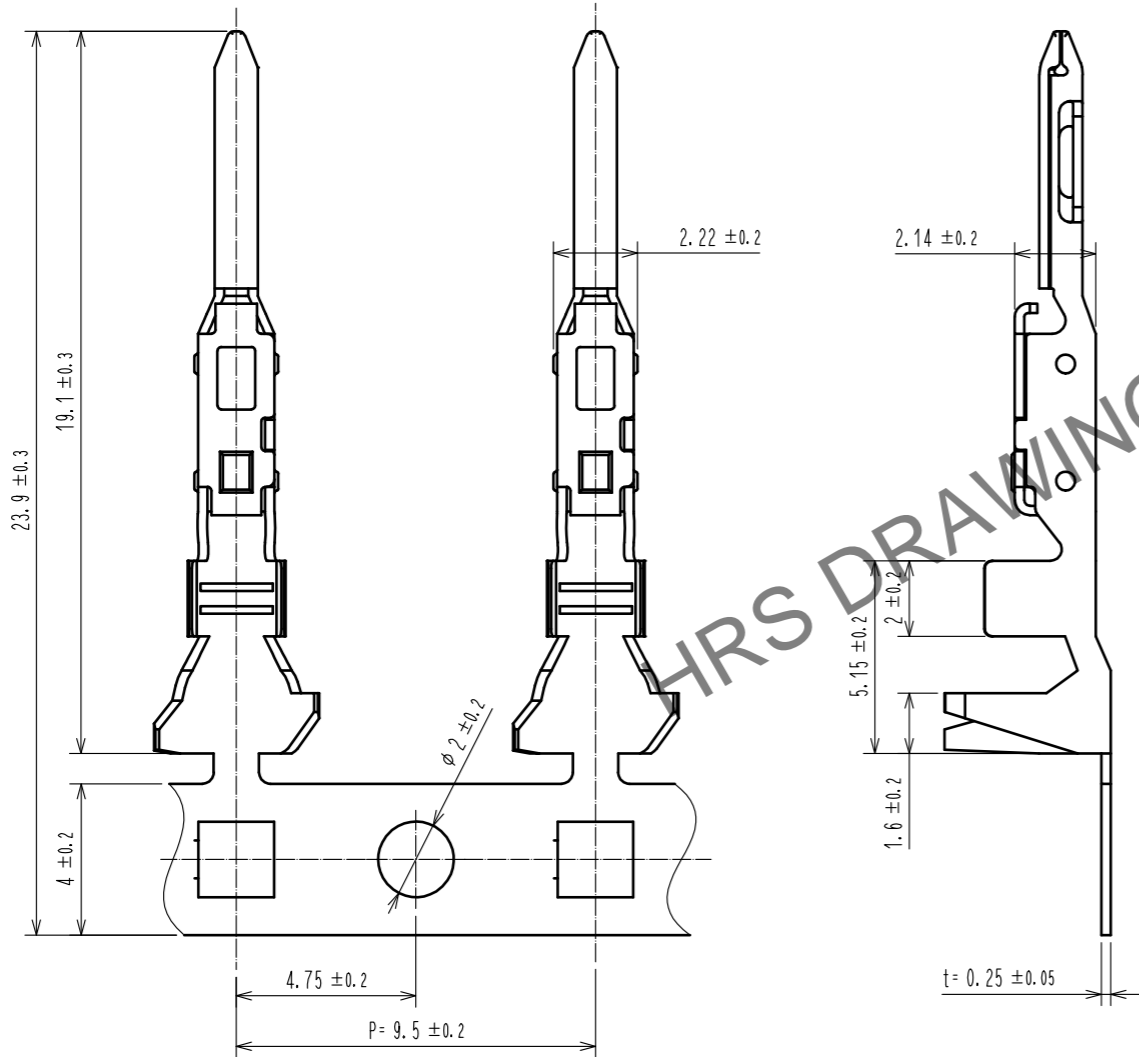
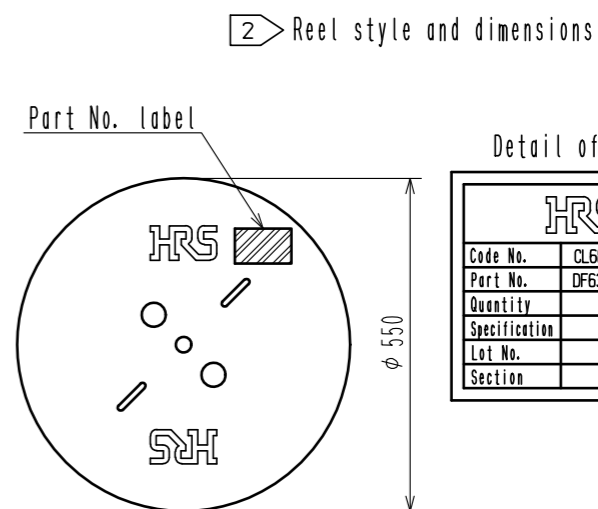
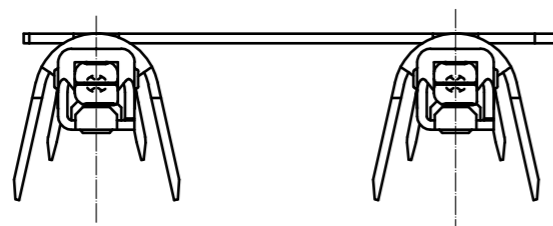


Apr.1.2024 Copyright 2024 HIROSE ELECTRIC CO., LTD. All Rights Reserved.
 In case of consideration for using Automotive equipment / device which demand high reliability, kindly contact our sales window correspondents.



- Notes
- 1RL : 4000 contacts.
 - 2 Style of reel and box are shown in figure.
 - Up to 4 reels are packed up in one box.
 - Please be sure to check the form of crimping using a cable when you adjust applicator.

1	Phosphor bronze	Tin plating : 1μm MIN
NO.	MATERIAL	FINISH . REMARKS

UNITS mm			SCALE 5 : 1		COUNT	DESCRIPTION OF REVISIONS	DESIGNED	CHECKED	DATE
HRS HIROSE ELECTRIC CO., LTD.		APPROVED : HK. UMEHARA	15.03.10	DRAWING NO.		EDC-359205-00-00			
		CHECKED : HK. UMEHARA	15.03.10	PART NO.		DF63-1618PCF			
		DESIGNED : TO. HORII	15.03.10	CODE NO.		CL680-0529-2-00			
		DRAWN : TO. HORII	15.03.10			1/1			