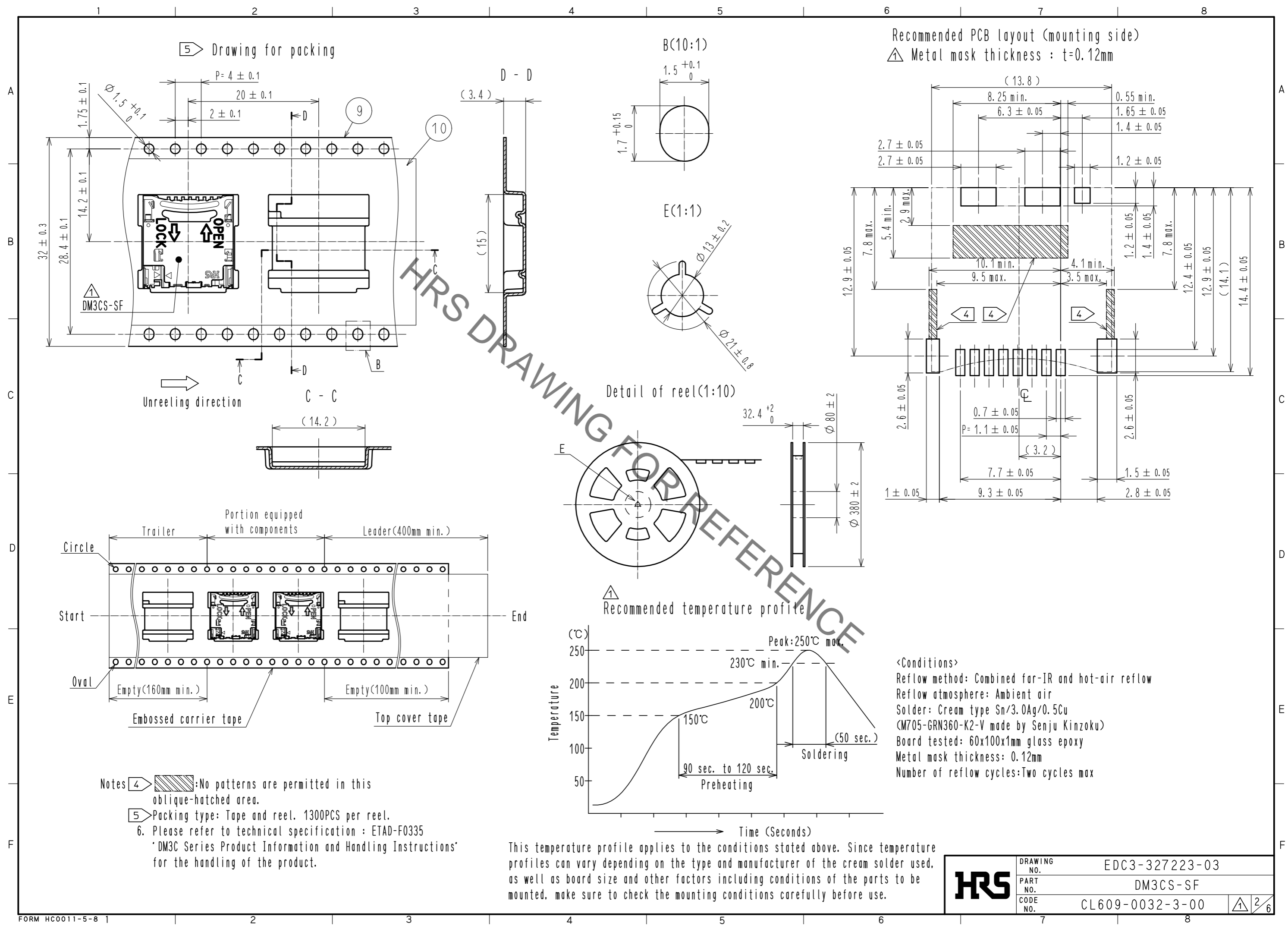


Jun.1.2020 Copyright 2020 HIROSE ELECTRIC CO., LTD. All Rights Reserved.
 In case of consideration for using Automotive equipment / device which demand high reliability, kindly contact our sales window correspondents.



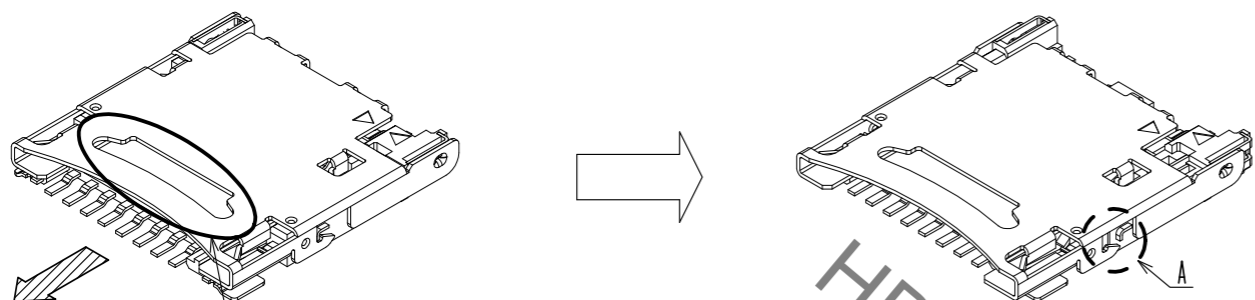
HRS	DRAWING NO.	EDC3-327223-03
	PART NO.	DM3CS-SF
	CODE NO.	CL609-0032-3-00
		2/6

Jun.1.2020 Copyright 2020 HIROSE ELECTRIC CO., LTD. All Rights Reserved.
In case of consideration for using Automotive equipment / device which demand high reliability, kindly contact our sales window correspondents.

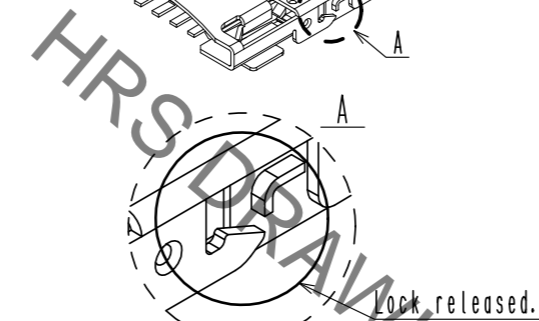
1. Operating instructions

- Inserting the card -

① Hook your fingernail in the slit in the cover and slide it to release the lock.



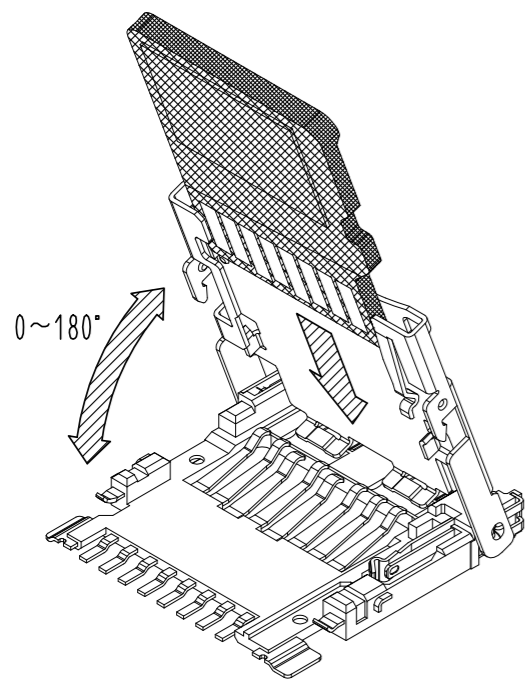
Hook your fingernail in the slit in the cover and slide it.



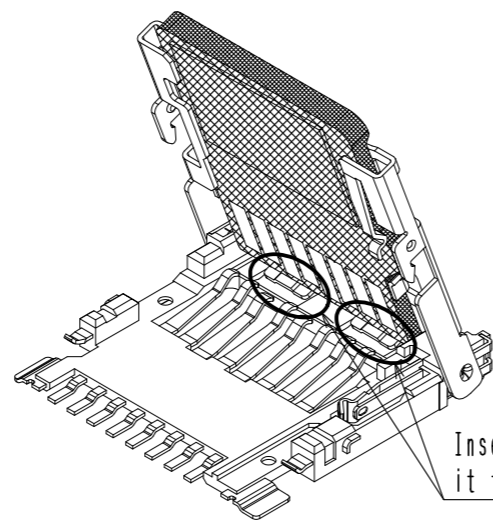
② Open the cover and insert the card.

* Make sure to insert the card in the correct direction.

Also make sure that the card is fully inserted (It should be touching the wall).

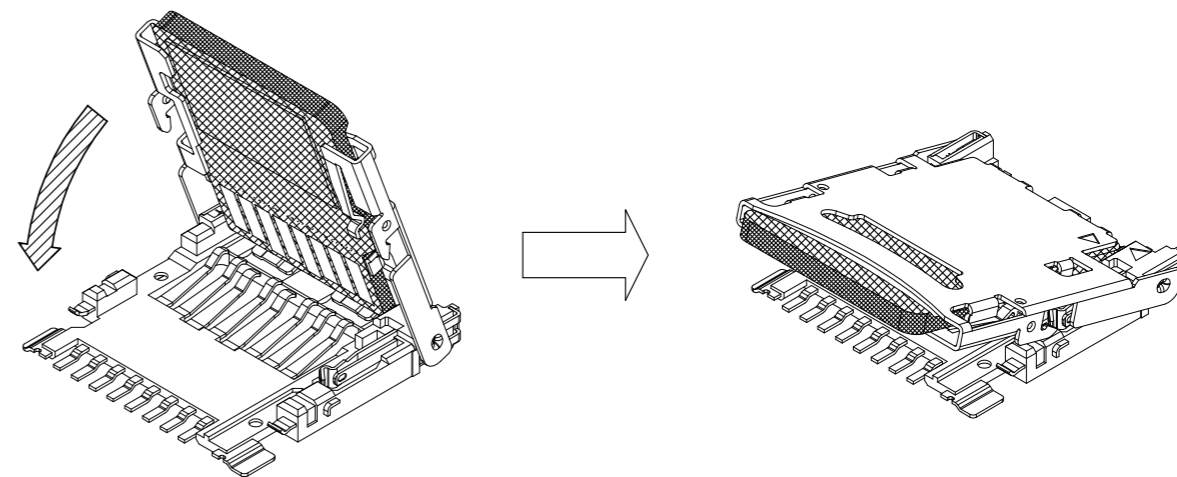


0~180°



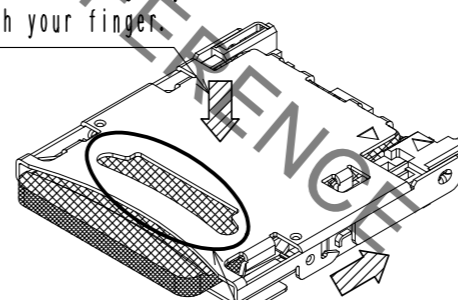
Insert the card so that it touches the wall.

③ Close the cover. (The signal contact spring will keep the cover lifted)

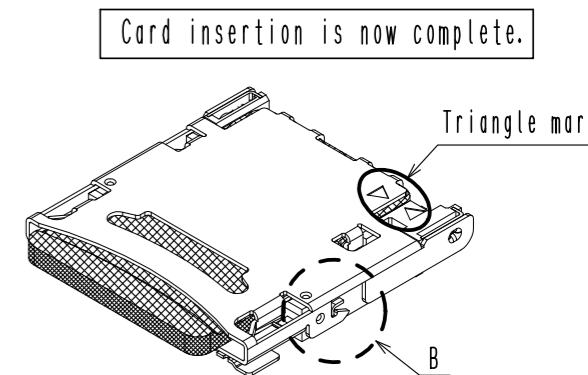


④ To lock the cover, press down lightly on the card with your finger, hook your fingernail in the slit and slide the cover so that the triangle marks on the mold and cover align with each other.

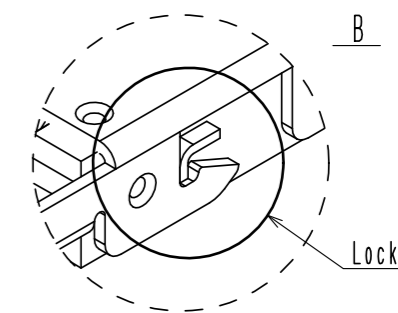
Press down lightly with your finger.



Hook your fingernail in the slit in the cover and slide it.



Card insertion is now complete.

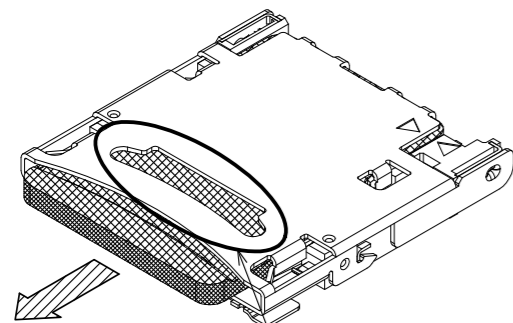


HRS	DRAWING NO.	EDC3-327223-03
	PART NO.	DM3CS-SF
	CODE NO.	CL609-0032-3-00
		3/6

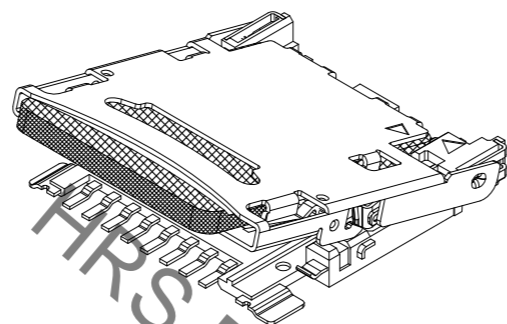
Jun.1.2020 Copyright 2020 HIROSE ELECTRIC CO., LTD. All Rights Reserved.
In case of consideration for using Automotive equipment / device which demand high reliability, kindly contact our sales window correspondents.

- Removing the card -

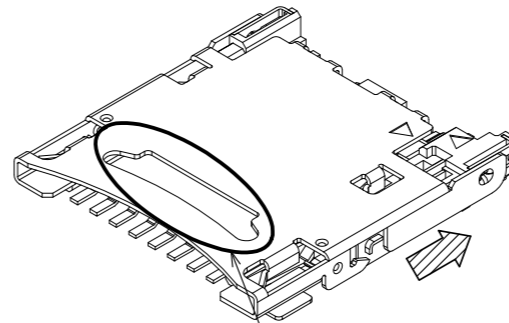
⑤ Hook your fingernail in the slit in the cover and slide it to release the lock.
(The signal contact spring will keep the cover lifted when you release the lock)



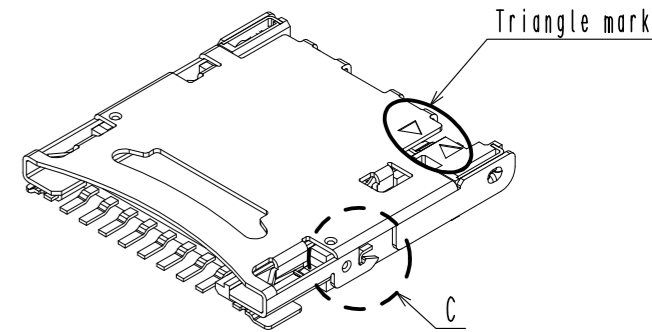
Hook your fingernail in the slit in the cover and slide it.



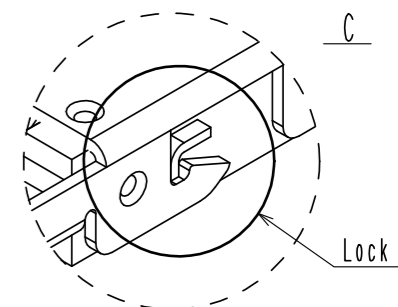
⑦ To lock the cover, close the cover, hook your fingernail in the slit, and slide the cover so that the triangle marks on the mold and cover align with each other.



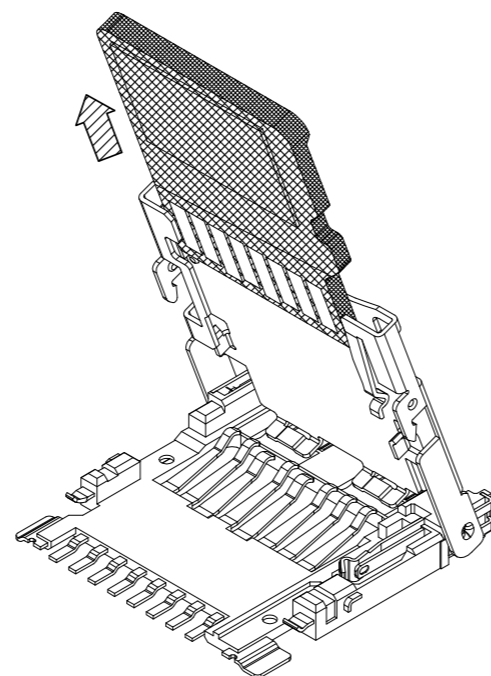
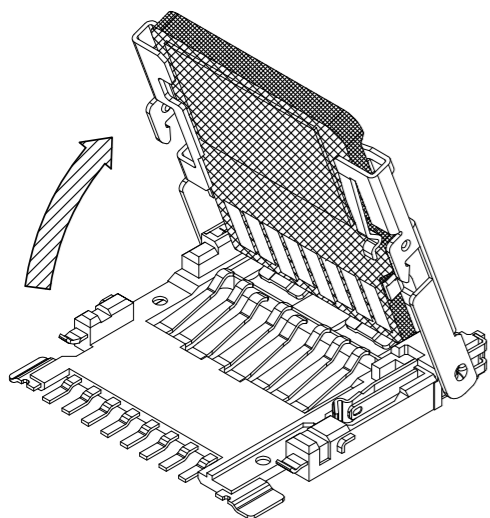
Hook your fingernail in the slit in the cover and slide it.



Card removal is now complete.



⑥ Open the cover and remove the card.



* The cover will not come off during normal use. If it should come off during use, make sure to replace the entire connector.

HRS DRAWING FOR REFERENCE

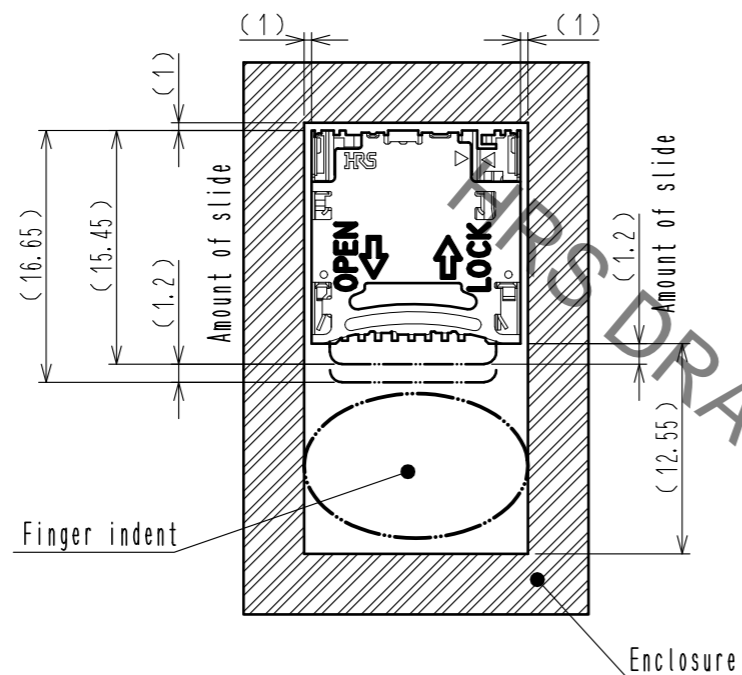
HRS	DRAWING NO.	EDC3-327223-03
	PART NO.	DM3CS-SF
	CODE NO.	CL609-0032-3-00
		4/6

Jun.1.2020 Copyright 2020 HIROSE ELECTRIC CO., LTD. All Rights Reserved.
In case of consideration for using Automotive equipment / device which demand high reliability, kindly contact our sales window correspondents.

2. Enclosure dimensions

◆Recommended enclosure layout

This connector is designed so that the card and cover slide by about 1.2mm when removing the card. If you plan to create a 'finger indent' to facilitate card removal, make sure to take into account the amount of slide.

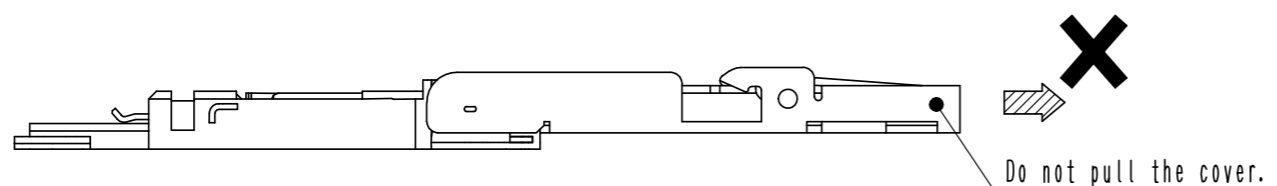


The cover opens up to 180° .

Please do not pull the cover with opening and closing, otherwise it could be come off or damaged.

Especially, pulling the cover to the direction as shown in the figure with 180° open causes the cover to be disassembled.

In order to prevent this accident, guiding by your chassis not to open to 180° is recommended.



◆Prevent incorrect card insertion

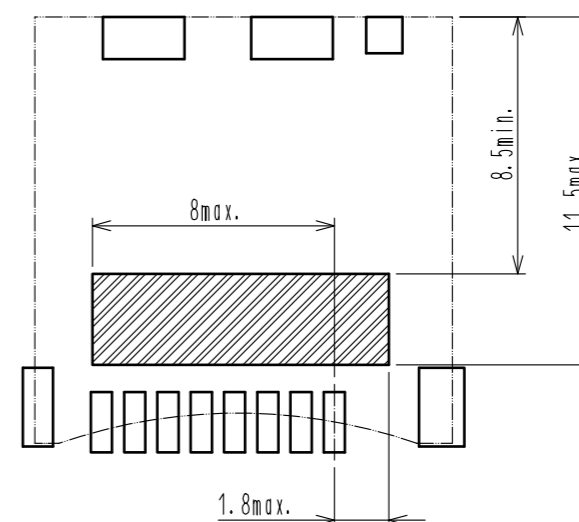
If you will be displaying markings or instructions to prevent end users from inserting the card incorrectly, please pay extra attention to the text description and the direction of the marking used to indicate the correct direction.

3. Mounting to FPC

◆This product is based on a thin design concept. If you are mounting the product onto an FPC, the recommended thickness of the reinforcement plate to use is 0.3mm or thicker.

4. Area recommended for the application of surface mounting adhesive

Make sure to apply adhesives in the applicable areas shown in the drawing below. Avoid using adhesives in other areas as this can lead to functional problems. Do not apply excessive amounts of adhesive as this can cause the product to 'float' which may in turn cause solder failure. Make sure to use only the smallest amount of adhesive necessary.



Recommended adhesive : SOMAKOTE IR-010H-3
(made by Somar Co., Ltd.)

HRS

DRAWING NO.	EDC3-327223-03
PART NO.	DM3CS-SF
CODE NO.	CL609-0032-3-00

5/6

Jun.1.2020 Copyright 2020 HIROSE ELECTRIC CO., LTD. All Rights Reserved.
In case of consideration for using Automotive equipment / device which demand high reliability, kindly contact our sales window correspondents.

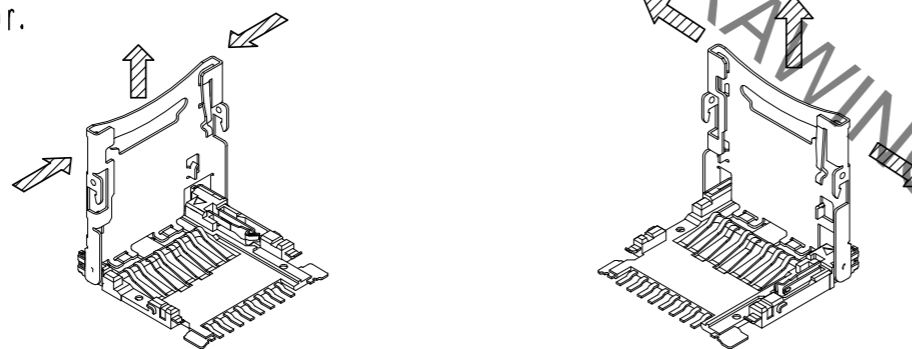
5. Reminders

(1) This product is equipped with hinges. Never wash the entire connector as this could lead to problems with the hinges. If it must be washed, wash only the soldered areas and make sure that you do not leave any cleaner residues on the connector. Cleaner residues can cause problems with card insertion/extraction and electrical performance.

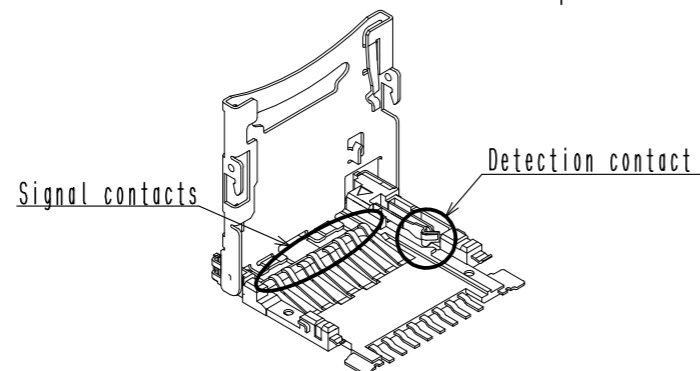
(2) If you will be performing card recognition and operational inspections in your assembly process, please pay attention to the points listed below. If any of these points do not meet requirements, use a new card to perform your inspections.

- Outer dimensions must be within specifications. Pay particular attention not to use products that have become off-spec due to wear.
- Make sure that there is no severe wear on the pad (base material must not be exposed).

(3) Problems or damage may occur if excessive force is applied to the connector. Handle the connector with care and make sure that it is not deformed. Please take extra care not to pry or pull the cover in the directions shown below when you open/close the cover as this damages the connector.



(4) Terminal contacts are exposed when the cover is open. Make sure to warn users not to touch the contacts as this can result in deformation and problems with electrical performance.

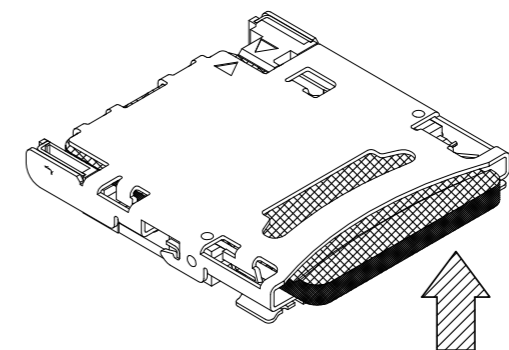


(5) This connector is designed to be mounted on boards. Make sure not to use the connector on its own as this could lead to functional problems.

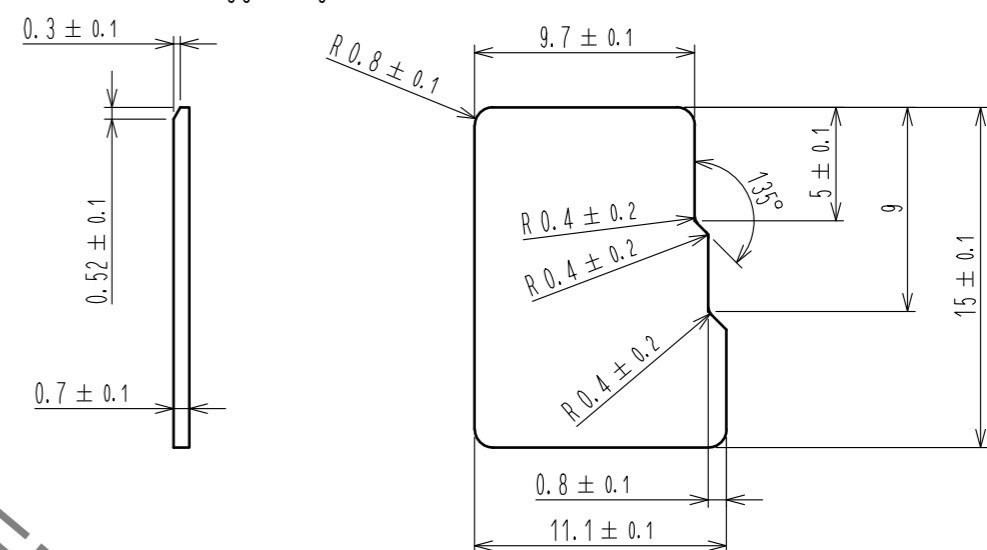
(6) This connector is designed for microSD cards. Do not insert other types of cards. Make sure not to insert the card in the wrong direction, at an angle, or by prying. Damage may occur to the card and/or connector if the card is forcibly inserted in the wrong direction.

(7) Do not extract the card forcibly while it is in its engaged state. This can lead to card and/or connector damage.

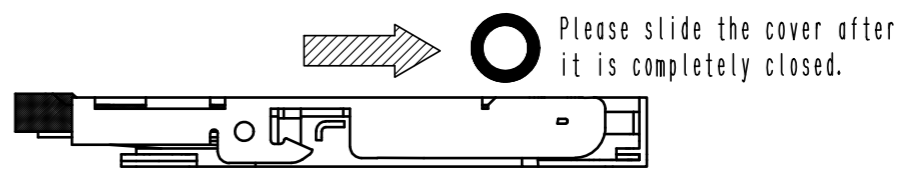
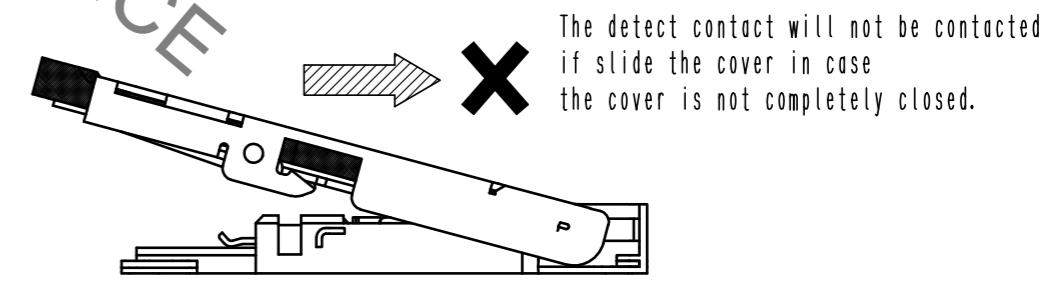
(8) Cards are designed to withstand a bending strength of up to 10N. Please handle cards with care as excessive force can lead to card damage.



(9) To use a dummy card, we recommend that you design the card with the following dimensions to avoid triggering the detection contact.



(10) If slide the cover while pushes toward locking direction when closing the cover, the detect contact will not be contacted as the cover will ride on the detect contact.



HRS	DRAWING NO.	EDC3-327223-03
	PART NO.	DM3CS-SF
	CODE NO.	CL609-0032-3-00
		6/6