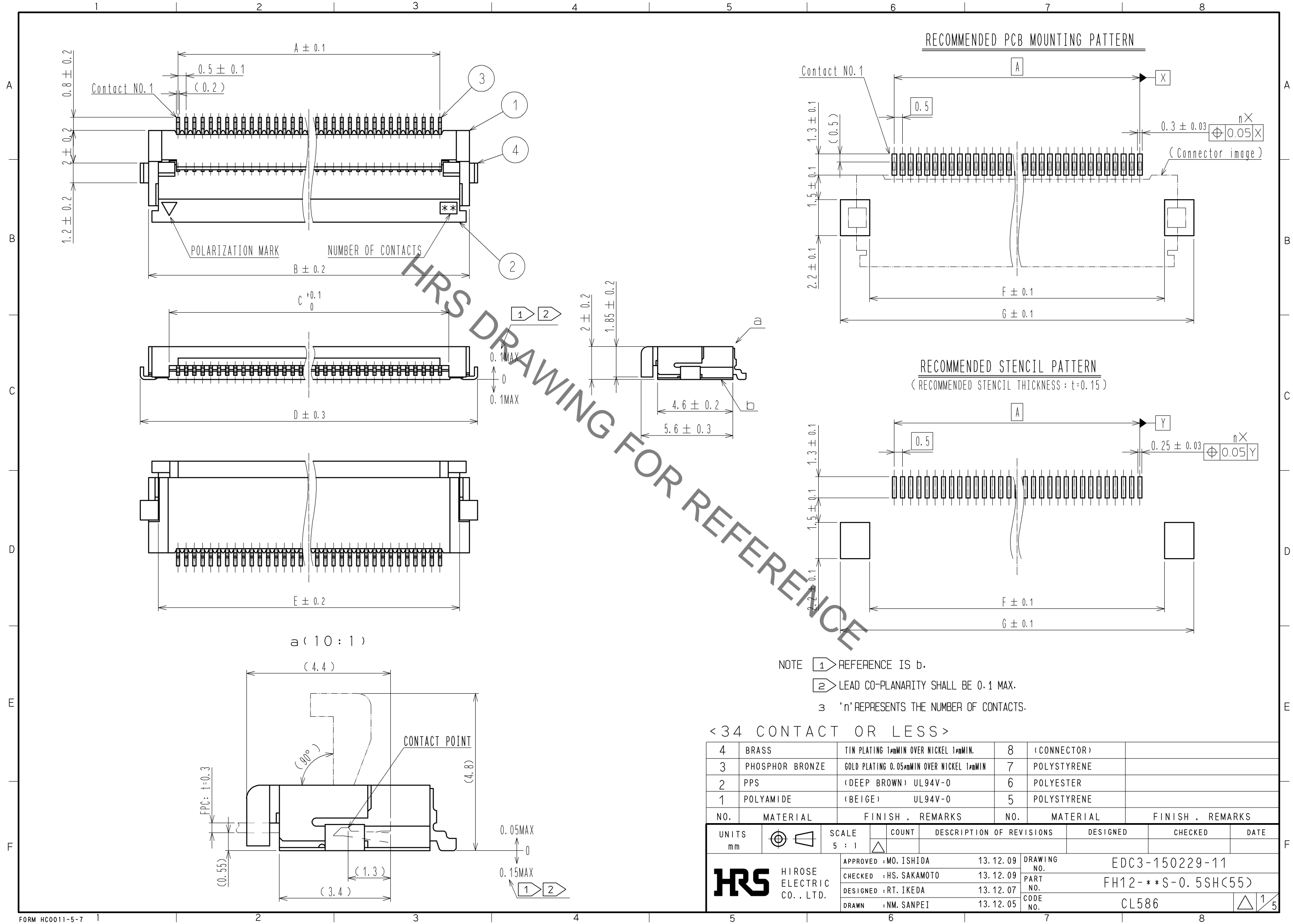
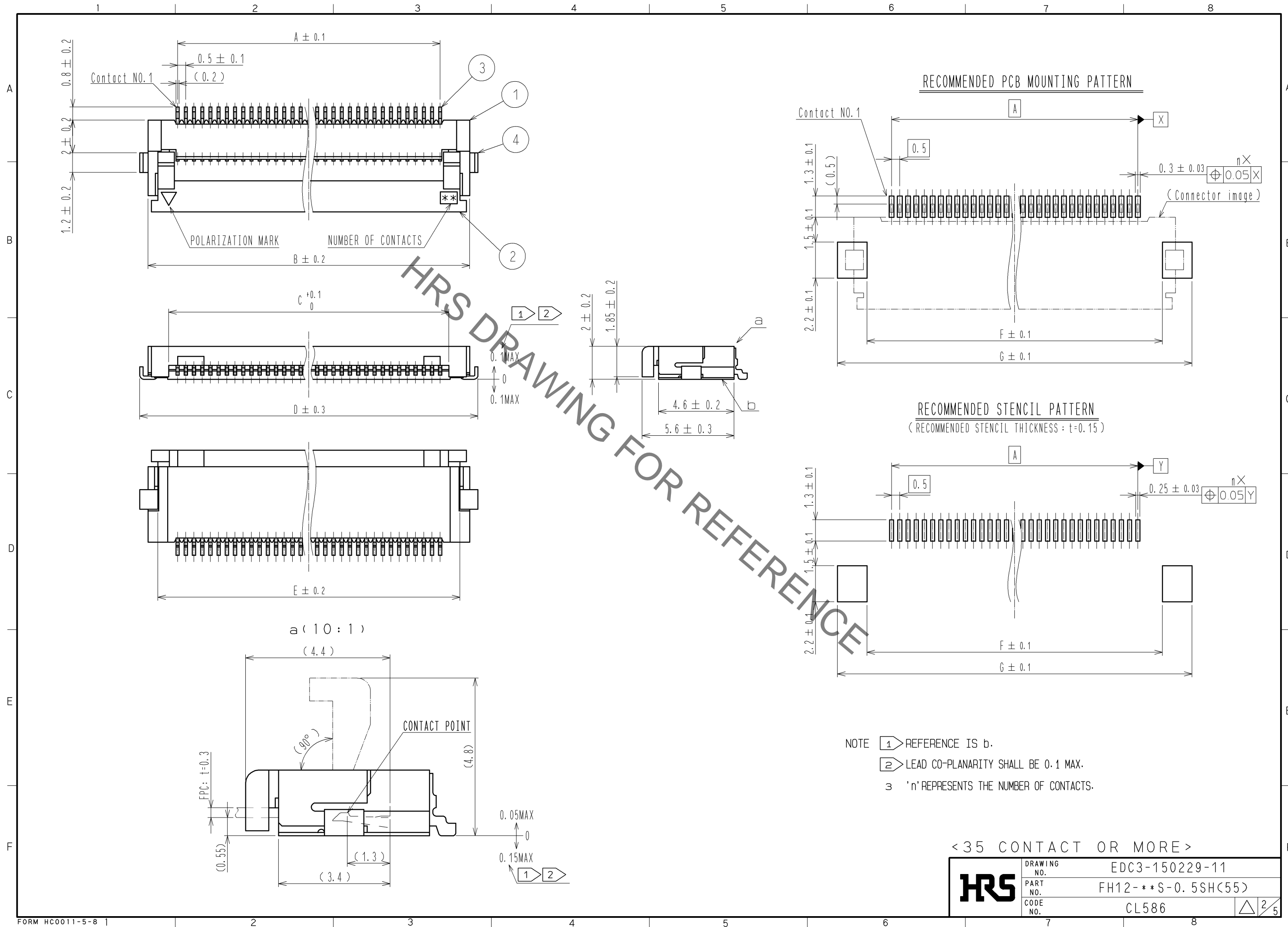


May.1.2021 Copyright 2021 HIROSE ELECTRIC CO., LTD. All Rights Reserved.
In case of consideration for using Automotive equipment / device which demand high reliability, kindly contact our sales window correspondents.

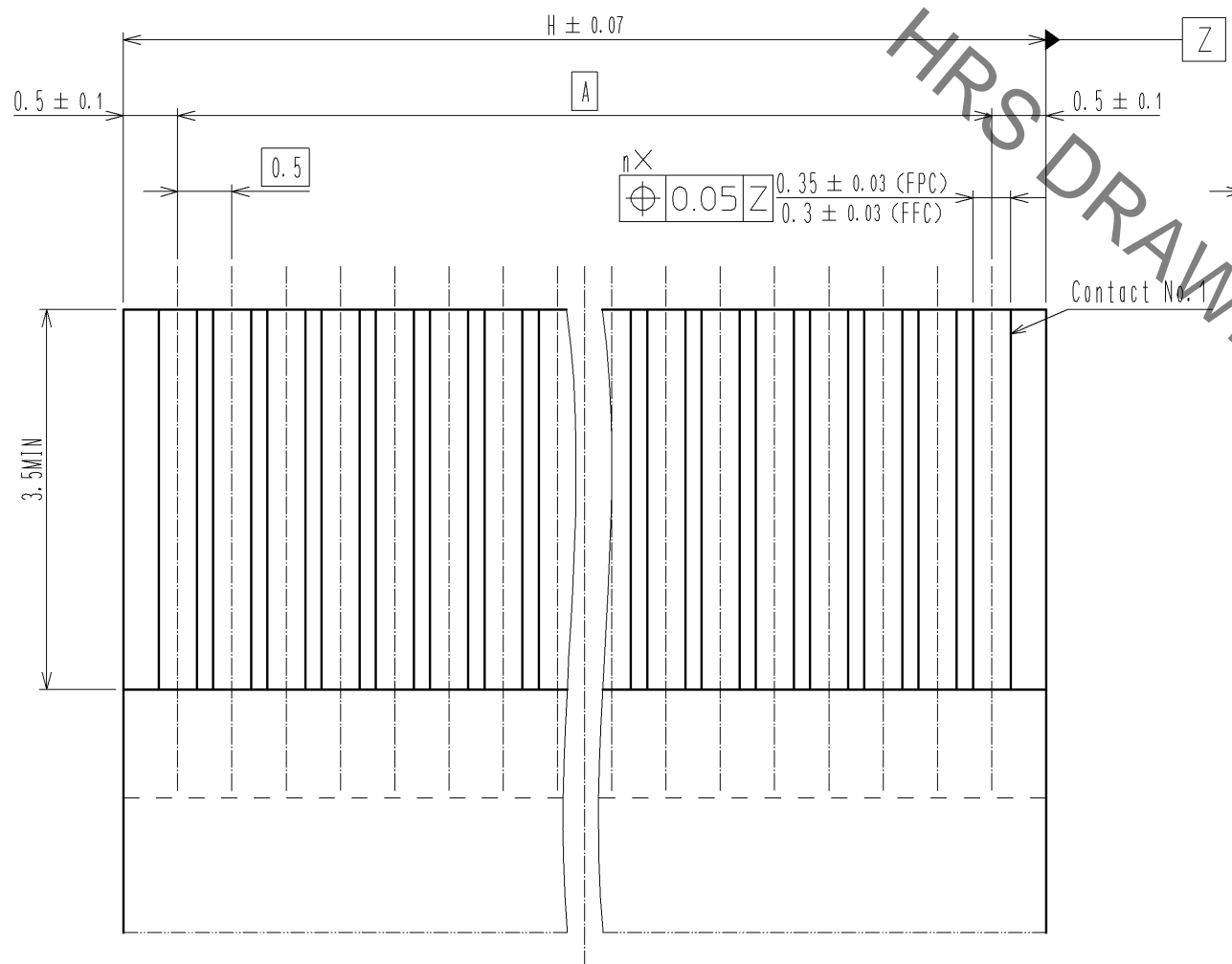


May.1.2021 Copyright 2021 HIROSE ELECTRIC CO., LTD. All Rights Reserved.
 In case of consideration for using Automotive equipment / device which demand high reliability, kindly contact our sales window correspondents.



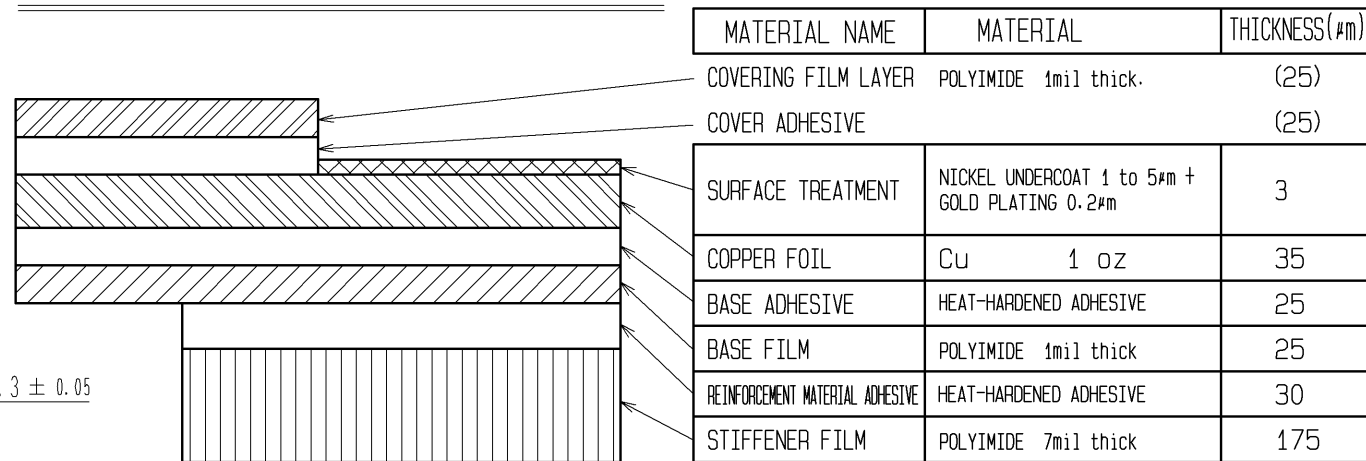
May.1.2021 Copyright 2021 HIROSE ELECTRIC CO., LTD. All Rights Reserved.
In case of consideration for using Automotive equipment / device which demand high reliability, kindly contact our sales window correspondents.

RECOMMENDED FPC/FFC (15:1)

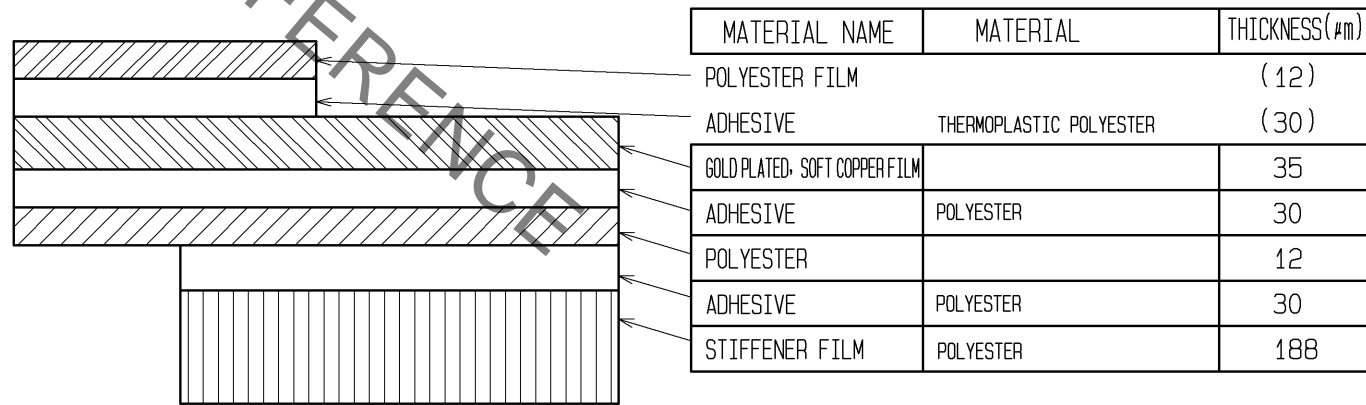


4 THICKNESS OF SUPPORTING TAPE SHALL BE 0.188(7.5MIL) MIN.

FPC CONFIGURATION (REFERENCE EXAMPLE) (SCALE:FREE)



FFC CONFIGURATION (REFERENCE EXAMPLE) (SCALE:FREE)



HRS	DRAWING NO.	EDC3-150229-11
	PART NO.	FH12-**S-0.5SH(55)
	CODE NO.	CL586

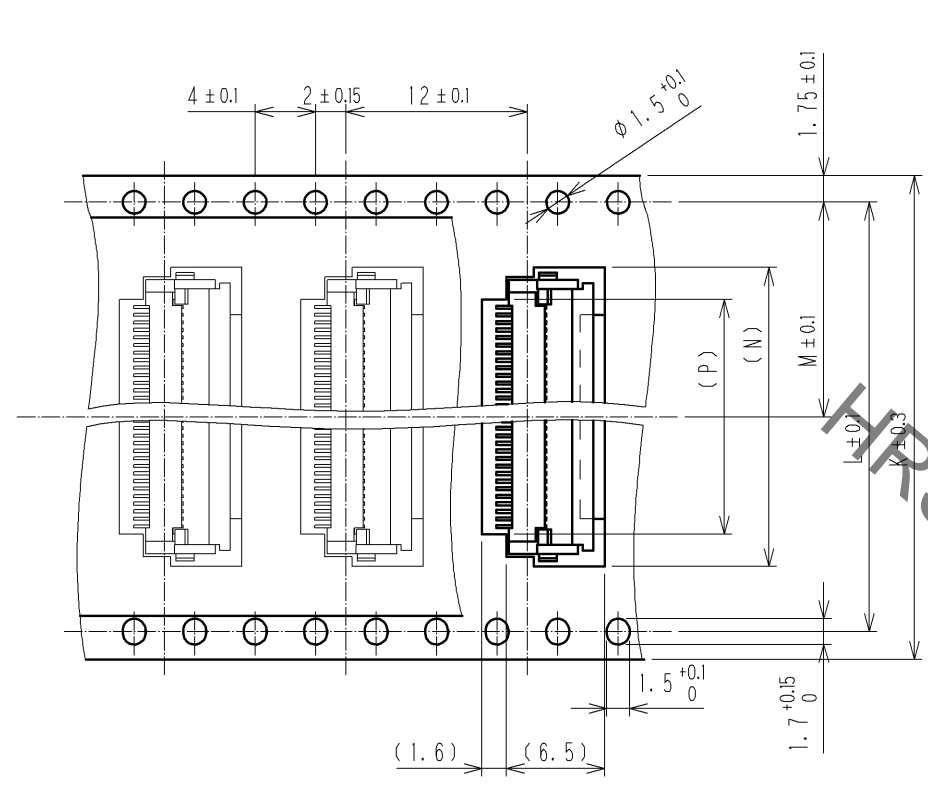
△ 3/5

HRS DRAWING FOR REFERENCE

May.1.2021 Copyright 2021 HIROSE ELECTRIC CO., LTD. All Rights Reserved.
 In case of consideration for using Automotive equipment / device which demand high reliability, kindly contact our sales window correspondents.

EMBOSSED CARRIER TAPE DIMENSION(2:1)

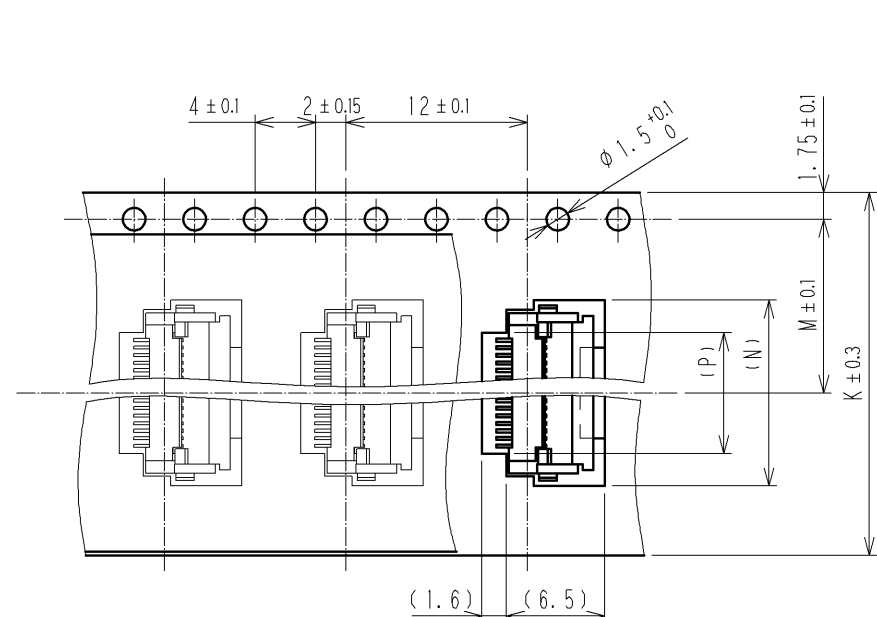
TAPE WIDTH:32mm MIN



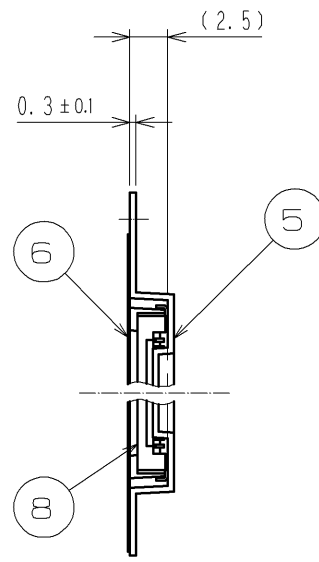
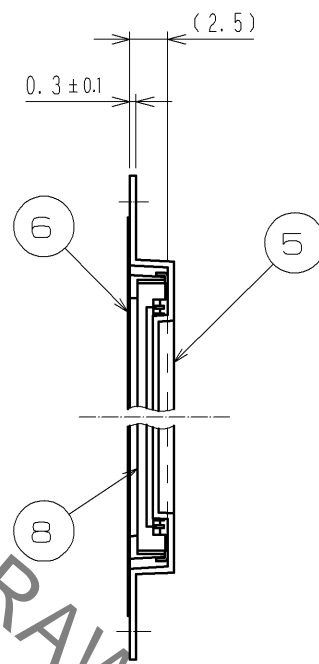
DIRECTION OF UNREELING



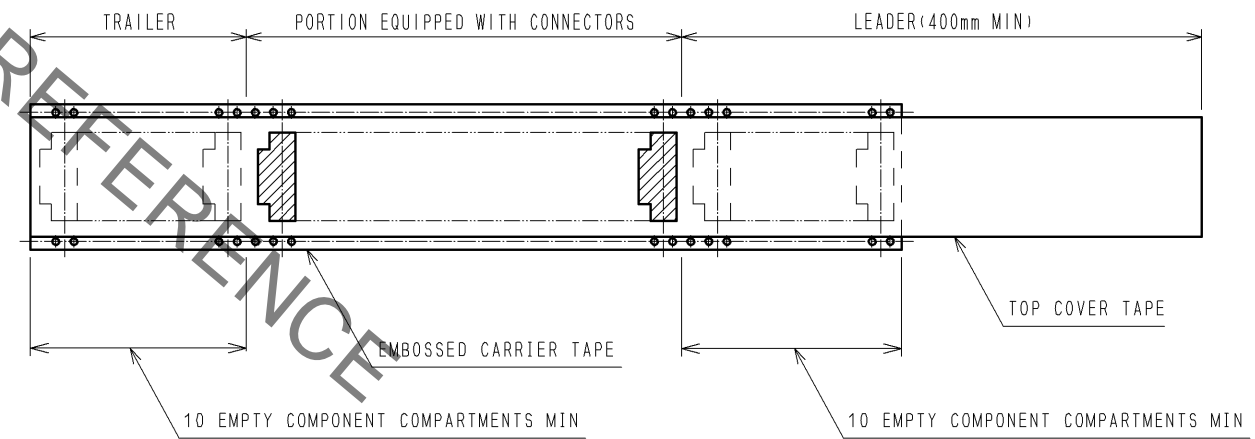
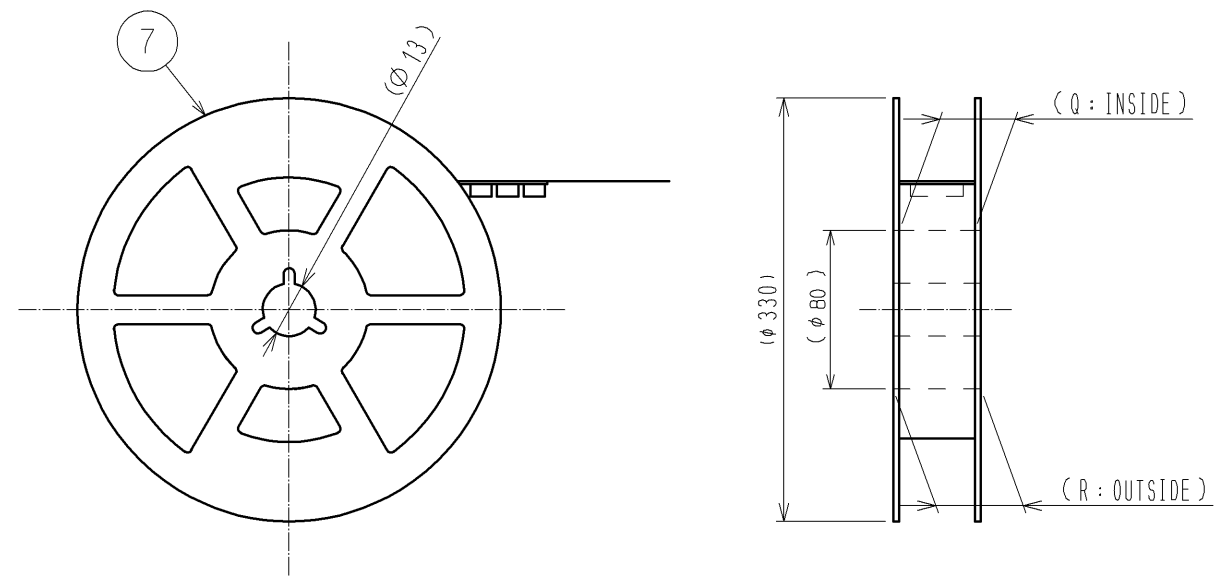
TAPE WIDTH:24mm MAX



DIRECTION OF UNREELING



REEL DIMENSION (FREE)



- 5 THE DIMENSIONS IN PARENTHESES ARE FOR REFERENCE.
- 6 PER REEL:2000 CONNECTORS.
- 7 SEE DIMENSION TABLE IN THE APPENDIX.

<DRAWING FOR PACKING>

HRS	DRAWING NO.	EDC3-150229-11
	PART NO.	FH12-**S-0.5SH(55)
	CODE NO.	CL586
		4/5

May.1.2021 Copyright 2021 HIROSE ELECTRIC CO., LTD. All Rights Reserved.
In case of consideration for using Automotive equipment / device which demand high reliability, kindly contact our sales window correspondents.

PART NO.	CODE NO.	NUMBER OF CONTACT	DIMENSION TABLE OF CONNECTOR, FPC, FFC, PCB MOUNTING PATTERN AND STENCIL PATTERN								DIMENSION TABLE OF DRAWING FOR PACKING						
			A	B	C	D	E	F	G	H	K	L	M	N	P	Q	R
FH12- 6S-0.5SH(55)	CL586-0582-5-55	6	2.5	6.1	3.57	7.1	4.9	4.5	8.1	3.5	16	—	7.5	7.8	3.5	17.4	21.4
FH12- 8S-0.5SH(55)	CL586-0744-5-55	8	3.5	7.1	4.57	8.1	5.9	5.5	9.1	4.5	16	—	7.5	8.8	4.5	17.4	21.4
FH12-10S-0.5SH(55)	CL586-0522-3-55	10	4.5	8.1	5.57	9.1	6.9	6.5	10.1	5.5	16	—	7.5	9.8	5.5	17.4	21.4
FH12-11S-0.5SH(55)	CL586-0600-5-55	11	5	8.6	6.07	9.6	7.4	7	10.6	6	16	—	7.5	10.3	6	17.4	21.4
FH12-12S-0.5SH(55)	CL586-0704-0-55	12	5.5	9.1	6.57	10.1	7.9	7.5	11.1	6.5	24	—	11.5	10.8	6.5	25.4	29.4
FH12-13S-0.5SH(55)	CL586-0549-0-55	13	6	9.6	7.07	10.6	8.4	8	11.6	7	24	—	11.5	11.3	7	25.4	29.4
FH12-14S-0.5SH(55)	CL586-0533-0-55	14	6.5	10.1	7.57	11.1	8.9	8.5	12.1	7.5	24	—	11.5	11.8	7.5	25.4	29.4
FH12-15S-0.5SH(55)	CL586-0523-6-55	15	7	10.6	8.07	11.6	9.4	9	12.6	8	24	—	11.5	12.3	8	25.4	29.4
FH12-16S-0.5SH(55)	CL586-0531-4-55	16	7.5	11.1	8.57	12.1	9.9	9.5	13.1	8.5	24	—	11.5	12.8	8.5	25.4	29.4
FH12-17S-0.5SH(55)	CL586-0606-1-55	17	8	11.6	9.07	12.6	10.4	10	13.6	9	24	—	11.5	13.3	9	25.4	29.4
FH12-18S-0.5SH(55)	CL586-0530-1-55	18	8.5	12.1	9.57	13.1	10.9	10.5	14.1	9.5	24	—	11.5	13.8	9.5	25.4	29.4
FH12-19S-0.5SH(55)	CL586-0534-2-55	19	9	12.6	10.07	13.6	11.4	11	14.6	10	24	—	11.5	14.3	10	25.4	29.4
FH12-20S-0.5SH(55)	CL586-0524-9-55	20	9.5	13.1	10.57	14.1	11.9	11.5	15.1	10.5	24	—	11.5	14.8	10.5	25.4	29.4
FH12-22S-0.5SH(55)	CL586-0532-7-55	22	10.5	14.1	11.57	15.1	12.9	12.5	16.1	11.5	24	—	11.5	15.8	11.5	25.4	29.4
FH12-24S-0.5SH(55)	CL586-0521-0-55	24	11.5	15.1	12.57	16.1	13.9	13.5	17.1	12.5	24	—	11.5	16.8	12.5	25.4	29.4
FH12-25S-0.5SH(55)	CL586-0692-3-55	25	12	15.6	13.07	16.6	14.4	14	17.6	13	24	—	11.5	17.3	13	25.4	29.4
FH12-26S-0.5SH(55)	CL586-0576-2-55	26	12.5	16.1	13.57	17.1	14.9	14.5	18.1	13.5	24	—	11.5	17.8	13.5	25.4	29.4
FH12-28S-0.5SH(55)	CL586-0612-4-55	28	13.5	17.1	14.57	18.1	15.9	15.5	19.1	14.5	32	28.4	14.2	18.8	14.5	33.4	37.4
FH12-30S-0.5SH(55)	CL586-0525-1-55	30	14.5	18.1	15.57	19.1	16.9	16.5	20.1	15.5	32	28.4	14.2	19.8	15.5	33.4	37.4
FH12-32S-0.5SH(55)	CL586-0681-7-55	32	15.5	19.1	16.57	20.1	17.9	17.5	21.1	16.5	32	28.4	14.2	20.8	16.5	33.4	37.4
FH12-33S-0.5SH(55)	CL586-0520-8-55	33	16	19.6	17.07	20.6	18.4	18	21.6	17	32	28.4	14.2	21.3	17	33.4	37.4
FH12-34S-0.5SH(55)	CL586-0617-8-55	34	16.5	20.1	17.57	21.1	18.9	18.5	22.1	17.5	32	28.4	14.2	21.8	17.5	33.4	37.4
FH12-35S-0.5SH(55)	CL586-0740-4-55	35	17	20.6	18.07	21.6	19.4	19	22.6	18	44	40.4	20.2	22.3	18	45.4	49.4
FH12-36S-0.5SH(55)	CL586-0526-4-55	36	17.5	21.1	18.57	22.1	19.9	19.5	23.1	18.5	44	40.4	20.2	22.8	18.5	45.4	49.4
FH12-40S-0.5SH(55)	CL586-0527-7-55	40	19.5	23.1	20.57	24.1	21.9	21.5	25.1	20.5	44	40.4	20.2	24.8	20.5	45.4	49.4
FH12-45S-0.5SH(55)	CL586-0528-0-55	45	22	25.6	23.07	26.6	24.4	24	27.6	23	44	40.4	20.2	27.3	23	45.4	49.4
FH12-50S-0.5SH(55)	CL586-0529-2-55	50	24.5	28.1	25.57	29.1	26.9	26.5	30.1	25.5	44	40.4	20.2	29.8	25.5	45.4	49.4
FH12-53S-0.5SH(55)	CL586-0595-7-55	53	26	29.6	27.07	30.6	28.4	28	31.6	27	44	40.4	20.2	31.3	27	45.4	49.4

HRS	DRAWING NO.	EDC3-150229-11
	PART NO.	FH12- ** S-0.5SH(55)
	CODE NO.	CL586
		△ 5/5