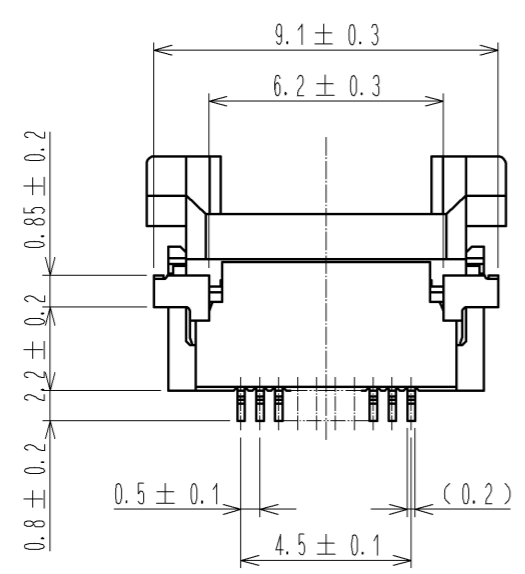
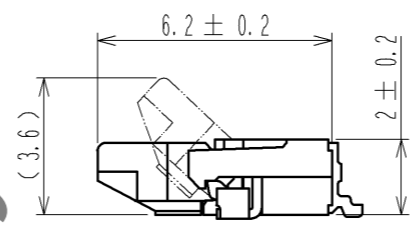
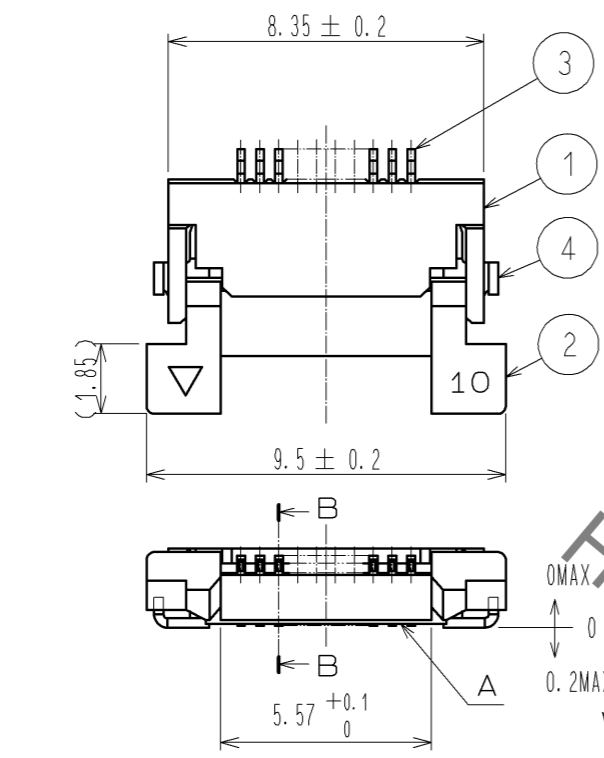
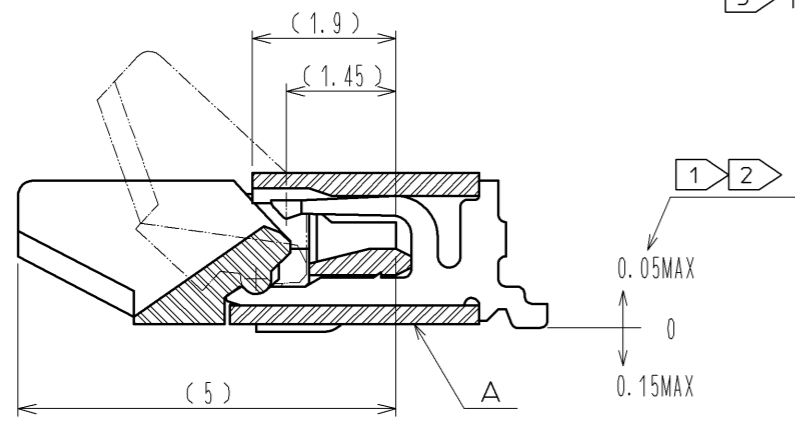


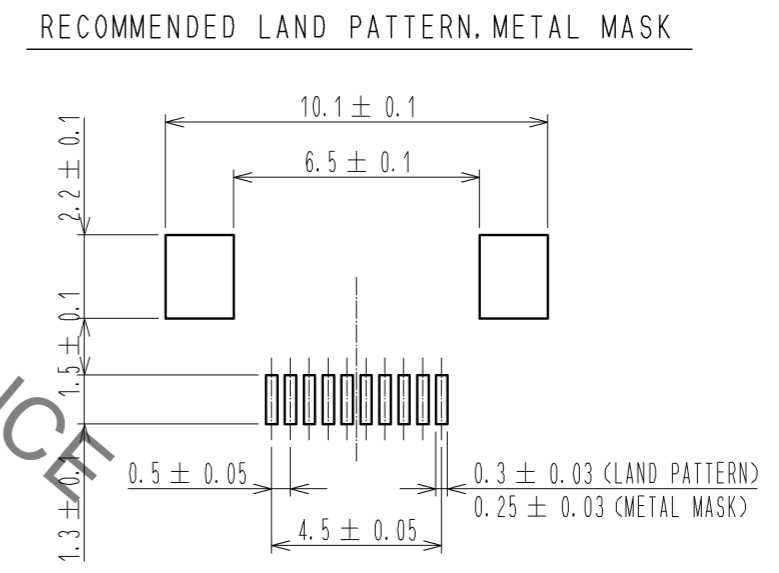
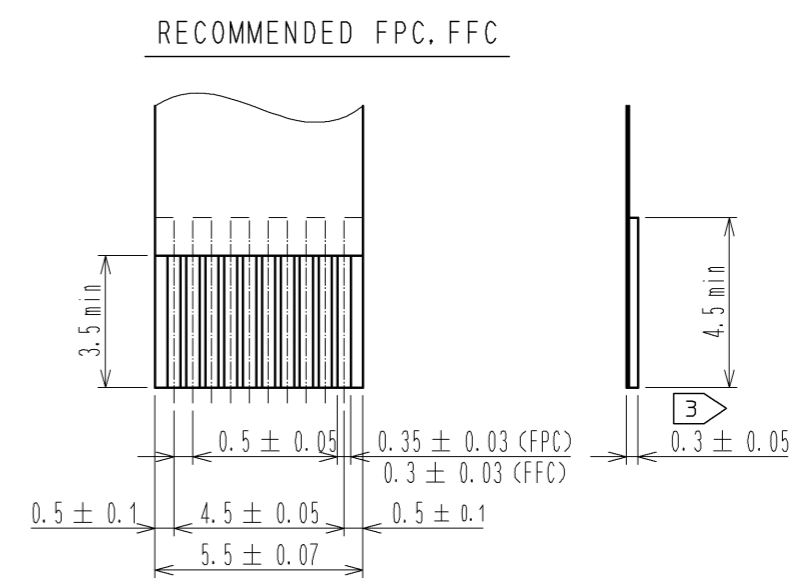
Jul.1.2021 Copyright 2021 HIROSE ELECTRIC CO., LTD. All Rights Reserved.
In case of consideration for using Automotive equipment / device which demand high reliability, kindly contact our sales window correspondents.



B-B (10 : 1)



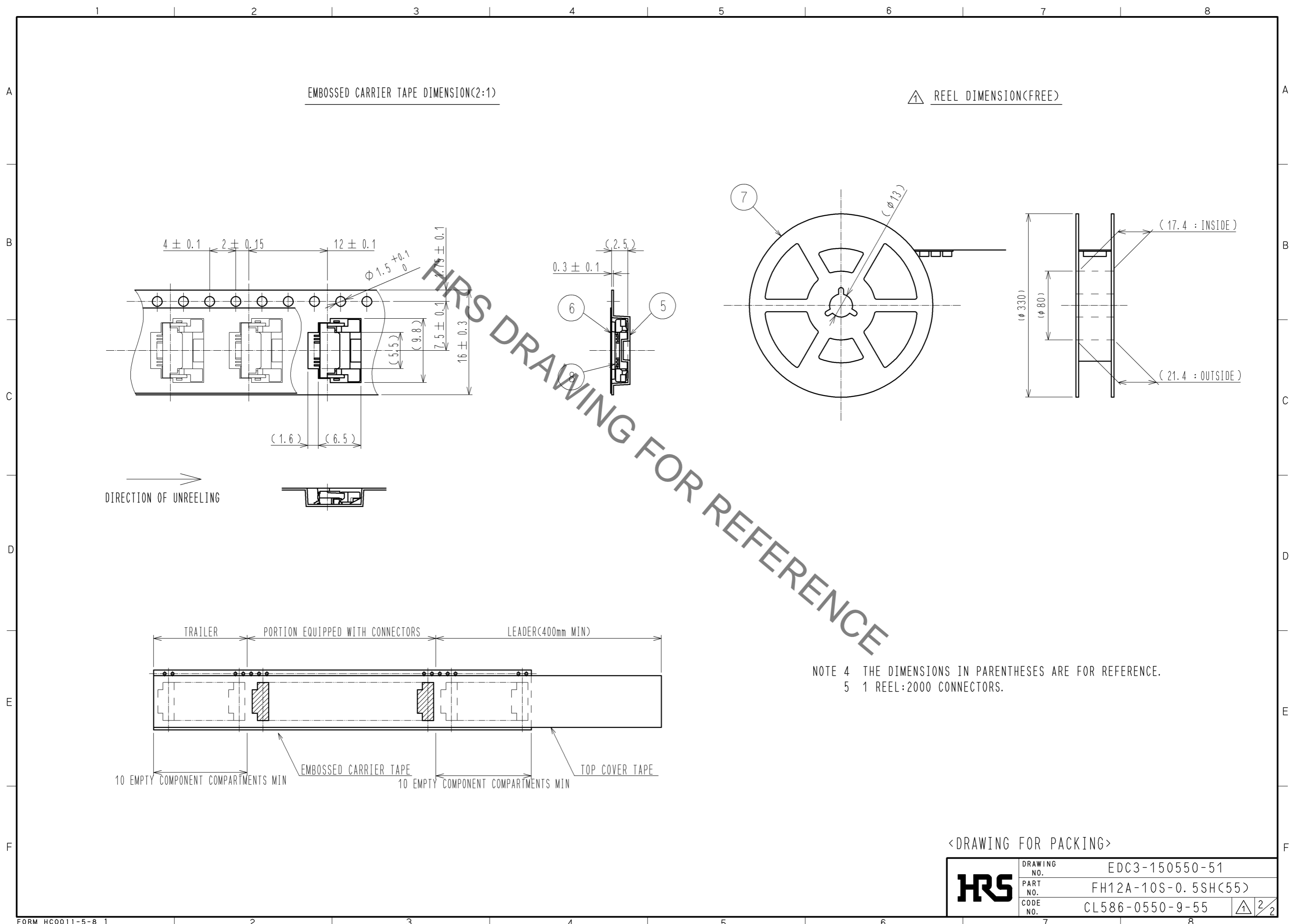
- NOTE
- ① REFERENCE IS A.
 - ② LEAD CO-PLANARITY SHALL BE 0.1 MAX.
 - ③ THICKNESS OF SUPPORTING TAPE SHALL BE 0.188(7.5mil) MIN.



RECOMMENDED METAL MASK THICKNESS t=0.15

4	BRASS	TIN PLATING 1μmMIN OVER NICKEL 1μmMIN.	8	(CONNECTOR)	
3	PHOSPHOR BRONZE	GOLD PLATING 0.05μmMIN OVER NICKEL 1μmMIN.	7	POLYSTYRENE	
2	PPS	(DEEP BROWN) UL94V-0	6	POLYESTER	
1	POLYAMIDE	(BEIGE) UL94V-0	5	POLYSTYRENE	
NO.	MATERIAL	FINISH . REMARKS	NO.	MATERIAL	FINISH . REMARKS
UNITS	SCALE		COUNT	DESCRIPTION OF REVISIONS	
mm	5 : 1		1	DIS-F-002766	
APPROVED : RI. TAKAYASU			07.02.05	DESIGNED	
CHECED : TN. KUWATA			07.02.05	MK. YASUMI	
DESIGNED : MK. YASUMI			07.02.02	CHECKED	
DRAWN : MK. YASUMI			07.02.02	HS. SAKAMOTO	
DATE			09.11.17		
DRAWING NO.			EDC3-150550-51		
PART NO.			FH12A-10S-0.5SH(55)		
CODE NO.			CL586-0550-9-55		

Jul.1.2021 Copyright 2021 HIROSE ELECTRIC CO., LTD. All Rights Reserved.
 In case of consideration for using Automotive equipment / device which demand high reliability, kindly contact our sales window correspondents.



HRS	DRAWING NO.	EDC3-150550-51
	PART NO.	FH12A-10S-0.5SH(55)
	CODE NO.	CL586-0550-9-55
		△ 2/2