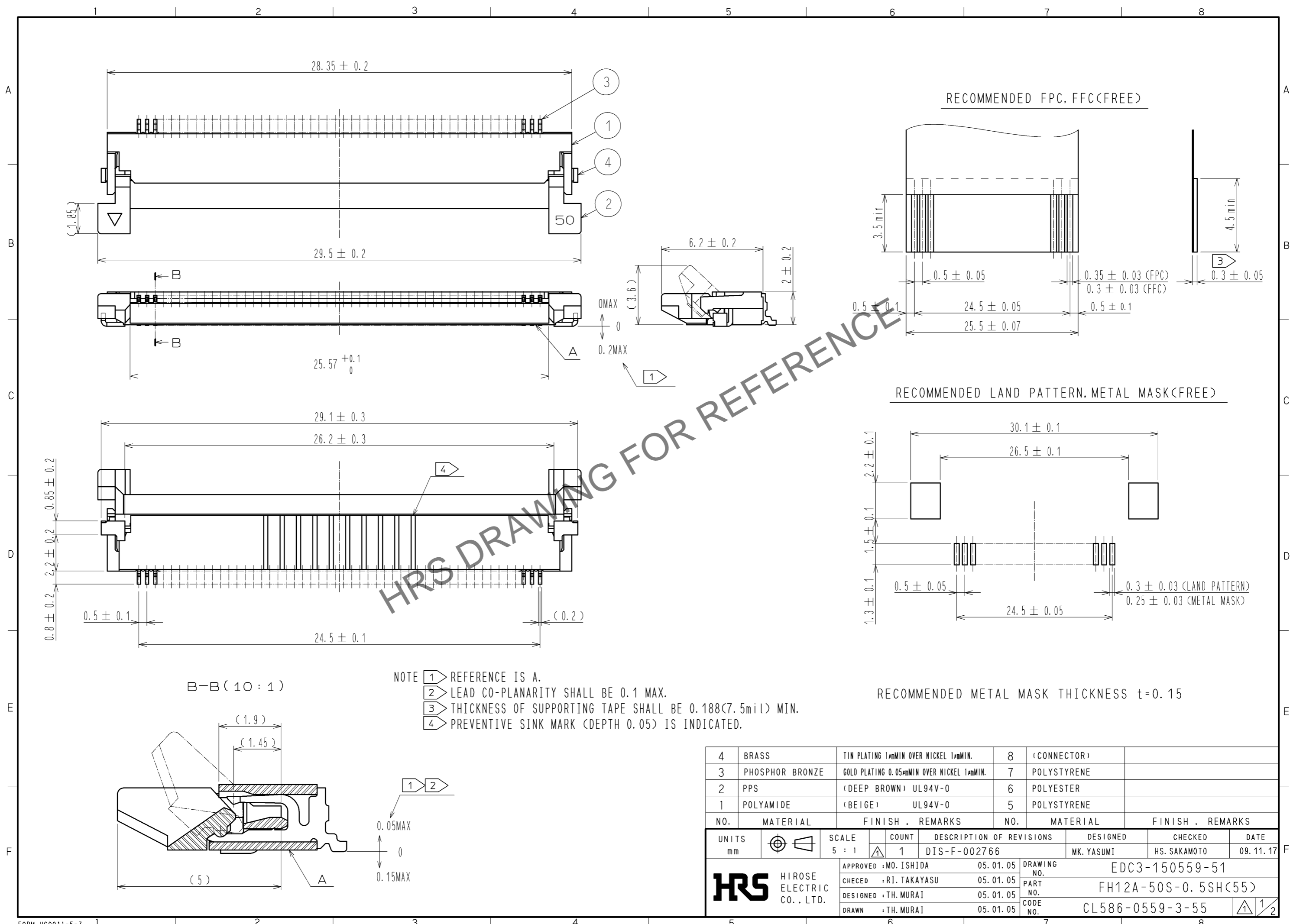


Aug.1.2023 Copyright 2023 HIROSE ELECTRIC CO., LTD. All Rights Reserved.  
In case of consideration for using Automotive equipment / device which demand high reliability, kindly contact our sales window correspondents.



NO.	MATERIAL	FINISH . REMARKS	NO.	MATERIAL	FINISH . REMARKS
4	BRASS	TIN PLATING 1μmMIN OVER NICKEL 1μmMIN.	8	(CONNECTOR)	
3	PHOSPHOR BRONZE	GOLD PLATING 0.05μmMIN OVER NICKEL 1μmMIN.	7	POLYSTYRENE	
2	PPS	(DEEP BROWN) UL94V-0	6	POLYESTER	
1	POLYAMIDE	(BEIGE) UL94V-0	5	POLYSTYRENE	

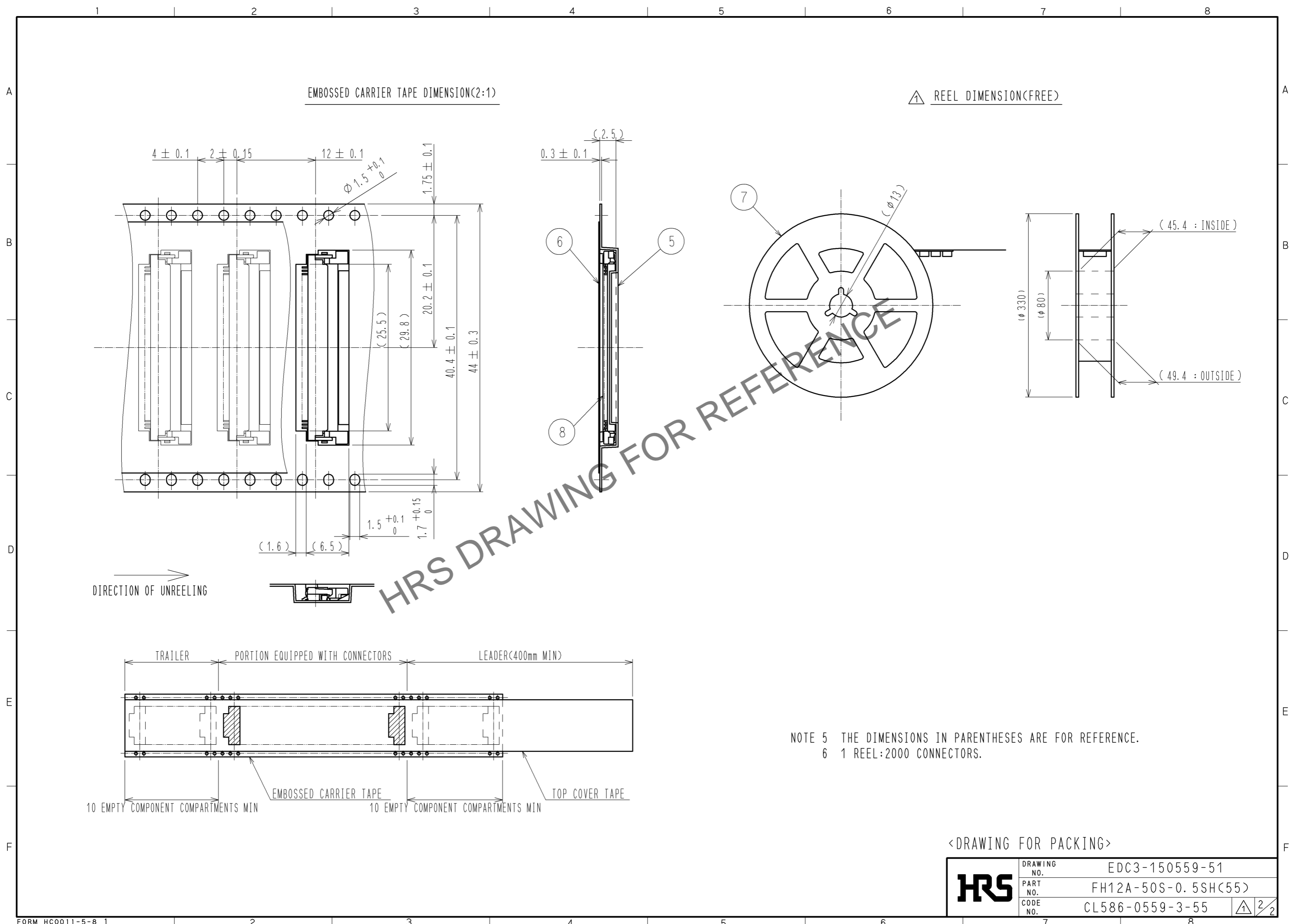
  

UNITS	SCALE	COUNT	DESCRIPTION OF REVISIONS	DESIGNED	CHECKED	DATE
mm	5 : 1	1	DIS-F-002766	MK. YASUMI	HS. SAKAMOTO	09.11.17

APPROVED	DESIGNED	DRAWING NO.
MO. ISHIDA 05.01.05	MK. YASUMI	EDC3-150559-51
CHECED	DESIGNED	PART NO.
RI. TAKAYASU 05.01.05	TH. MURAI 05.01.05	FH12A-50S-0.5SH(55)
DESIGNED	DRAWN	CODE NO.
TH. MURAI 05.01.05	TH. MURAI 05.01.05	CL586-0559-3-55

Aug.1.2023 Copyright 2023 HIROSE ELECTRIC CO., LTD. All Rights Reserved.  
 In case of consideration for using Automotive equipment / device which demand high reliability, kindly contact our sales window correspondents.



<b>HRS</b>	DRAWING NO.	EDC3-150559-51
	PART NO.	FH12A-50S-0.5SH(55)
	CODE NO.	CL586-0559-3-55
		2/2