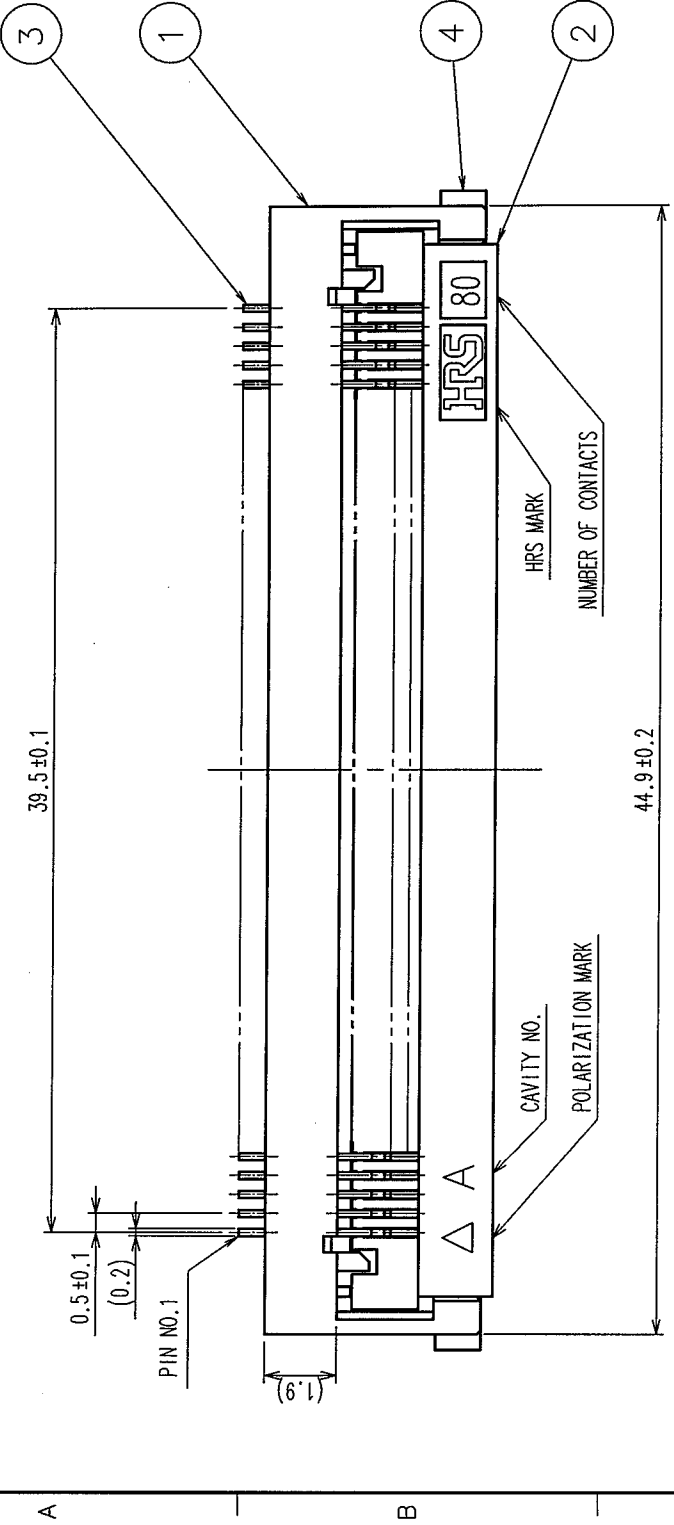
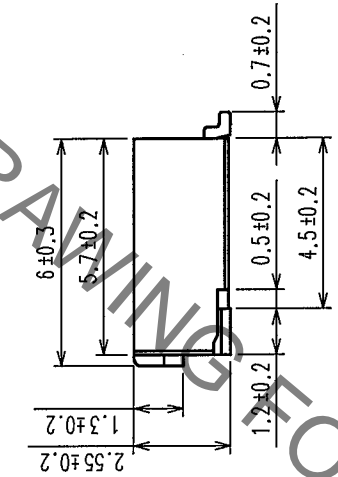
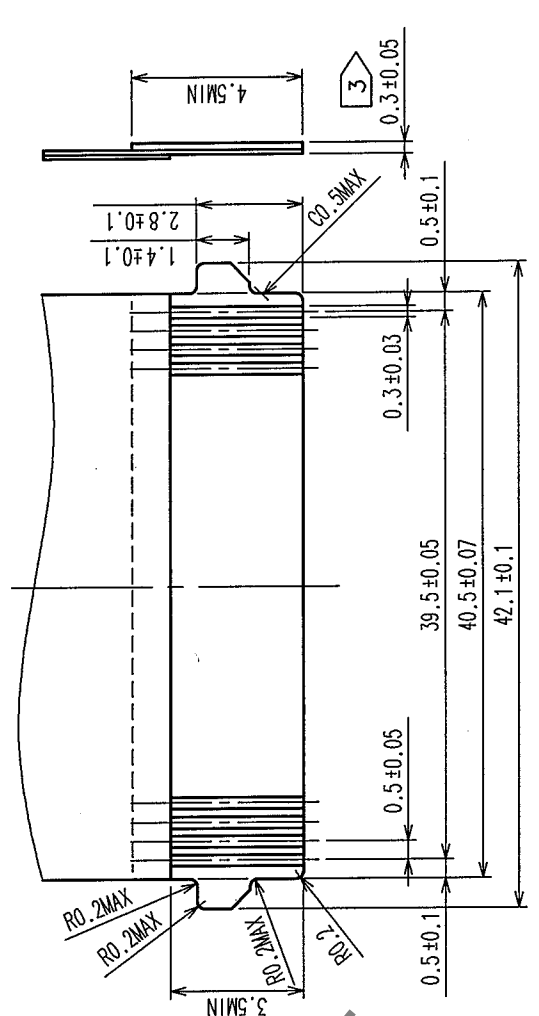


3 Jun.1.2021 Copyright 2021 HIROSE ELECTRIC CO., LTD. All Rights Reserved.
 In case of consideration for using Automotive equipment / device which demand high reliability, kindly contact our sales window correspondents.

COUNT	DESCRIPTION OF REVISIONS	BY	CHKD	DATE	COUNT	DESCRIPTION OF REVISIONS	BY	CHKD	DATE
△					△				
△					△				
△					△				

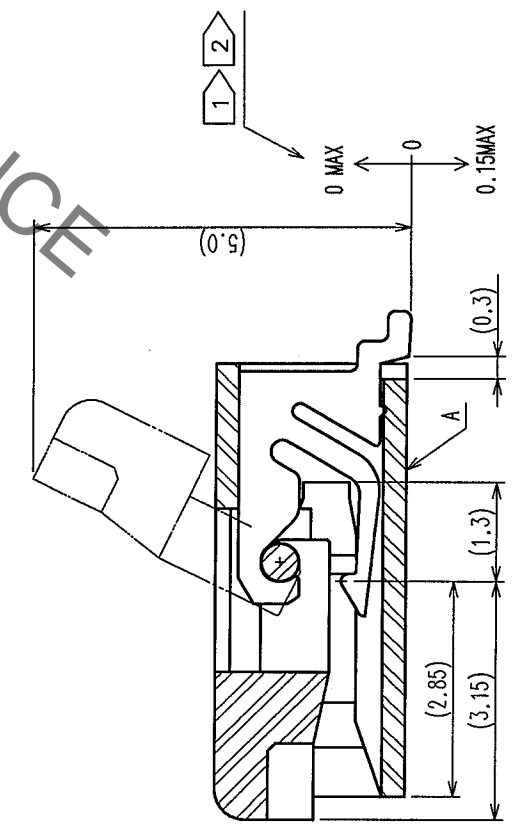


RECOMMENDED FPC (FREE)



RECOMMENDED LAND PATTERN, METAL MASK (FREE)

B-B (10:1)



- NOTE
- 1 REFERENCE IS A.
 - 2 LEAD CO-PLANARITY SHALL BE 0.1 MAX.
 - 3 THICKNESS OF SUPPORTING TAPE SHALL BE 0.188(7.5mil) MIN.

RECOMMENDED METAL MASK THICKNESS: $t = 0.15$

2	LCP	(BLACK)	UL94V-0	4	BRASS	TIN PLATING 1μm MIN. OVER NICKEL 1μm MIN.
1	LCP	(GRAY)	UL94V-0	3	PHOSPHOR BRONZE	GOLD PLATING FLASH OVER NICKEL 1μm MIN.
NO.	MATERIAL	FINISH, REMARKS	NO.	MATERIAL	FINISH, REMARKS	
CODE NO. (OLD)	CL		DRAWN	DESIGNED	CHECKED	APPROVED
			D. YAMADA	H. TSUKUMO	<i>R. Takayanagi</i>	
			04.06.08	04.06.08	04.06.08	04.06.08
DRAWING NO.	EDC3-154339-01		PART NO.	FH28H-80S-0.5SH(05)		
SCALE	5 : 1		CODE NO.	CL586-1805-3-05		
UNITS	mm					

TO	
NC	

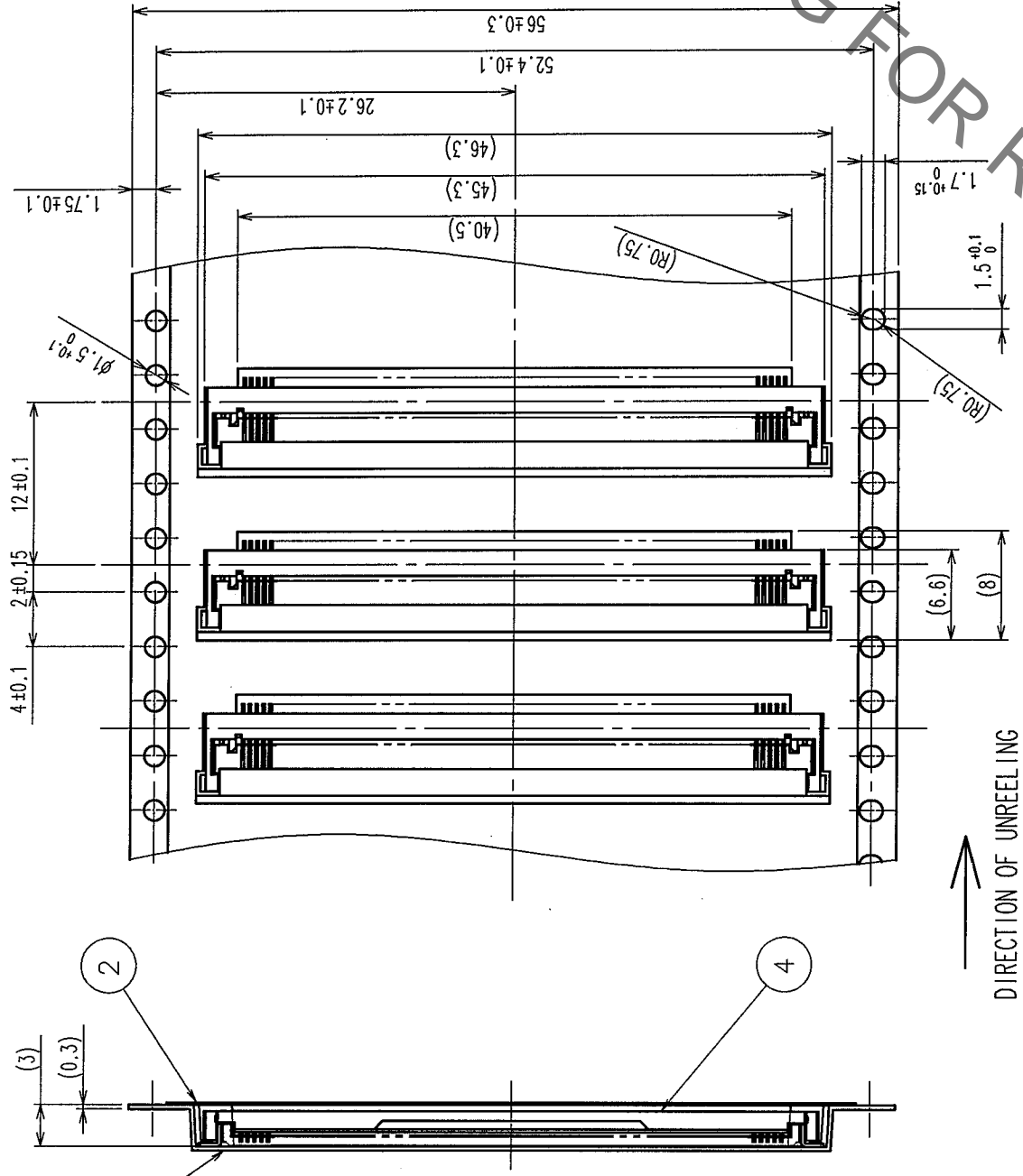
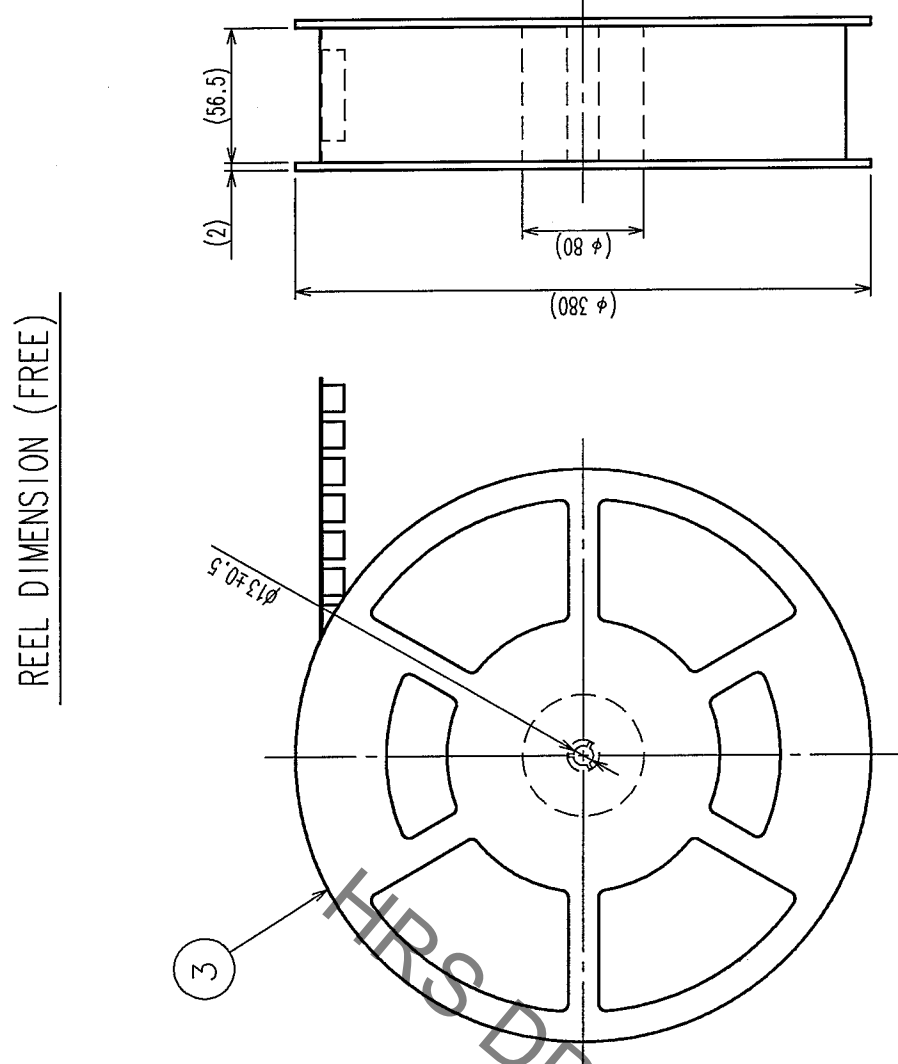
2 In case of consideration for using Automotive equipment / device which demand high reliability, kindly contact our sales window correspondents.

3 Jun.1.2021 Copyright 2021 HIROSE ELECTRIC CO., LTD. All Rights Reserved.

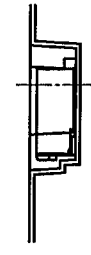
6 In case of consideration for using Automotive equipment / device which demand high reliability, kindly contact our sales window correspondents.

COUNT	DESCRIPTION OF REVISIONS	BY	CHKD	DATE	COUNT	DESCRIPTION OF REVISIONS	BY	CHKD	DATE
△					△				
△					△				
△					△				

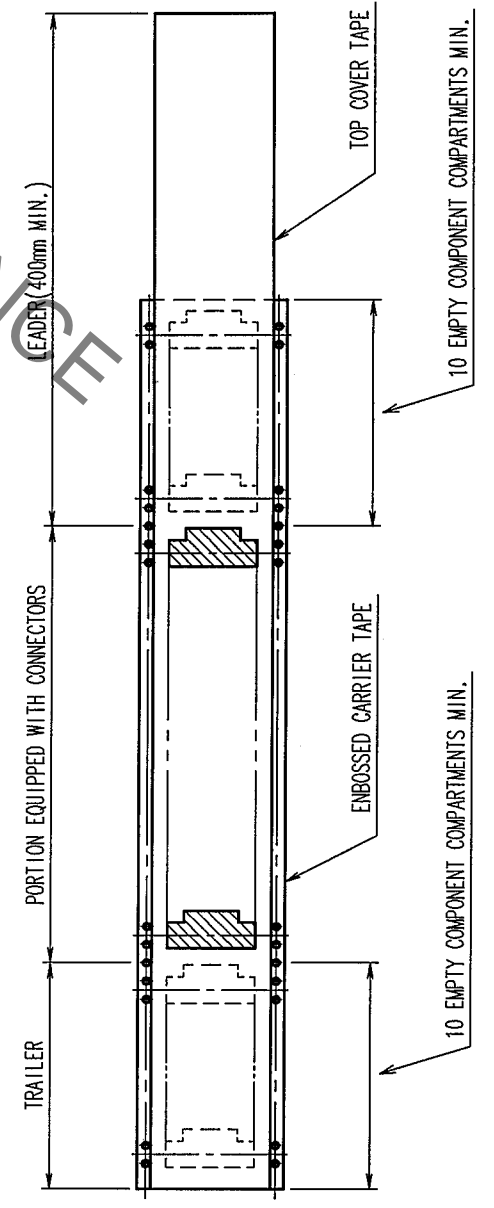
REEL DIMENSION (FREE)



→ DIRECTION OF UNREELING



- NOTE 1 THE DIMENSIONS IN PARENTHESES ARE FOR REFERENCE.
 2 PER REEL : 2000 CONNECTORS.
 3 REFER TO JIS C 0806 (PACKAGING OF COMPONENTS FOR AUTOMATIC HANDLING).



NO.	MATERIAL	FINISH, REMARKS	NO.	MATERIAL	FINISH, REMARKS
2	POLYESTER		4	(CONNECTOR)	
1	POLYSTYRENE		3	POLYSTYRENE	

CODE NO. (OLD) CL	DRAWN D. YAMADA 04.06.08	DESIGNED H. TSUKUMO 04.06.08	CHECKED <i>S. Hatanaka</i> 04.06.08	APPROVED <i>R. Takayama</i> 04.06.08	RELEASED
DRAWING FOR PACKING			PART NO. FH28H-80S-0.5SH(05)		
SCALE 2 : 1	DRAWING NO. EDC3-154339-01		CODE NO. CL586-1805-3-05		
UNITS mm	HIROSE ELECTRIC CO., LTD.		FORM NO. 229		

TO	
NC	