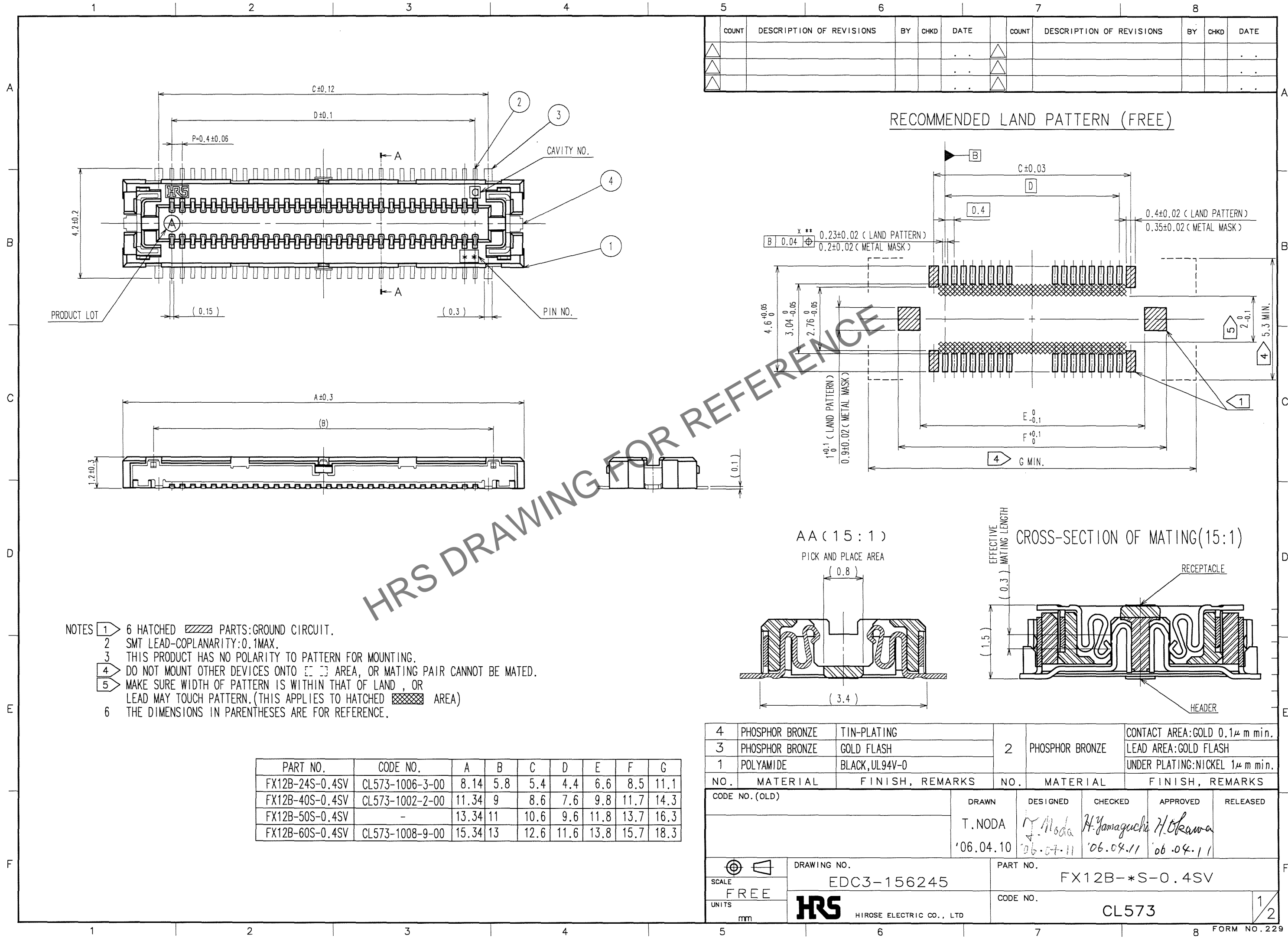


Dec.1.2024 Copyright 2024 HIROSE ELECTRIC CO., LTD. All Rights Reserved.
In case of consideration for using Automotive equipment / device which demand high reliability, kindly contact our sales window correspondents.



PART NO.	CODE NO.	A	B	C	D	E	F	G
FX12B-24S-0.4SV	CL573-1006-3-00	8.14	5.8	5.4	4.4	6.6	8.5	11.1
FX12B-40S-0.4SV	CL573-1002-2-00	11.34	9	8.6	7.6	9.8	11.7	14.3
FX12B-50S-0.4SV	-	13.34	11	10.6	9.6	11.8	13.7	16.3
FX12B-60S-0.4SV	CL573-1008-9-00	15.34	13	12.6	11.6	13.8	15.7	18.3

NO.	MATERIAL	FINISH, REMARKS	NO.	MATERIAL	FINISH, REMARKS
4	PHOSPHOR BRONZE	TIN-PLATING	2	PHOSPHOR BRONZE	CONTACT AREA:GOLD 0.1μ m min.
3	PHOSPHOR BRONZE	GOLD FLASH			LEAD AREA:GOLD FLASH
1	POLYAMIDE	BLACK,UL94V-0			UNDER PLATING:NICKEL 1μ m min.

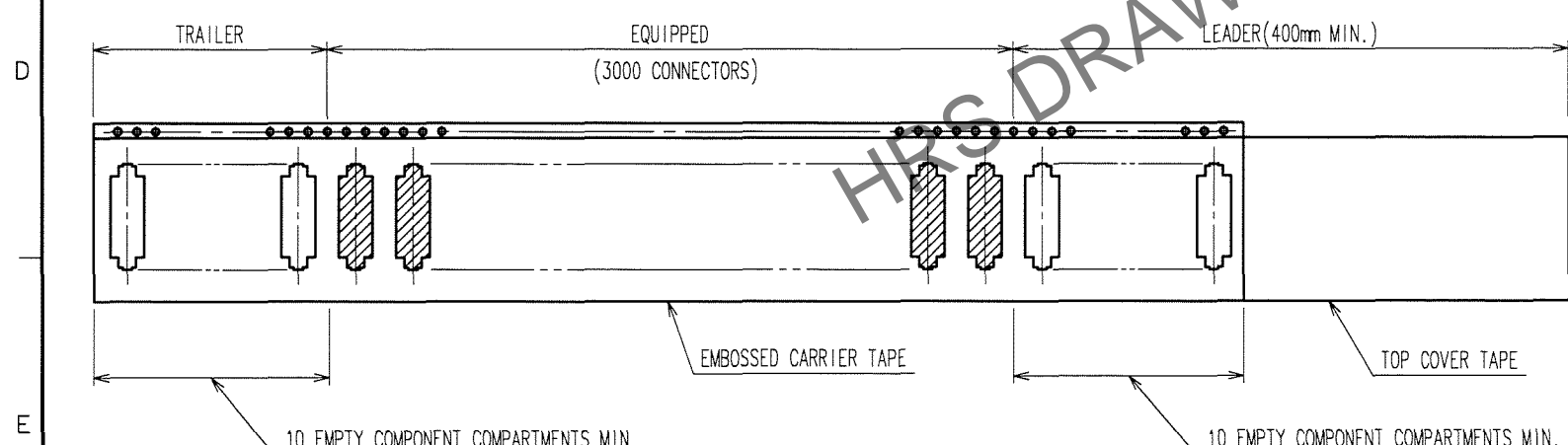
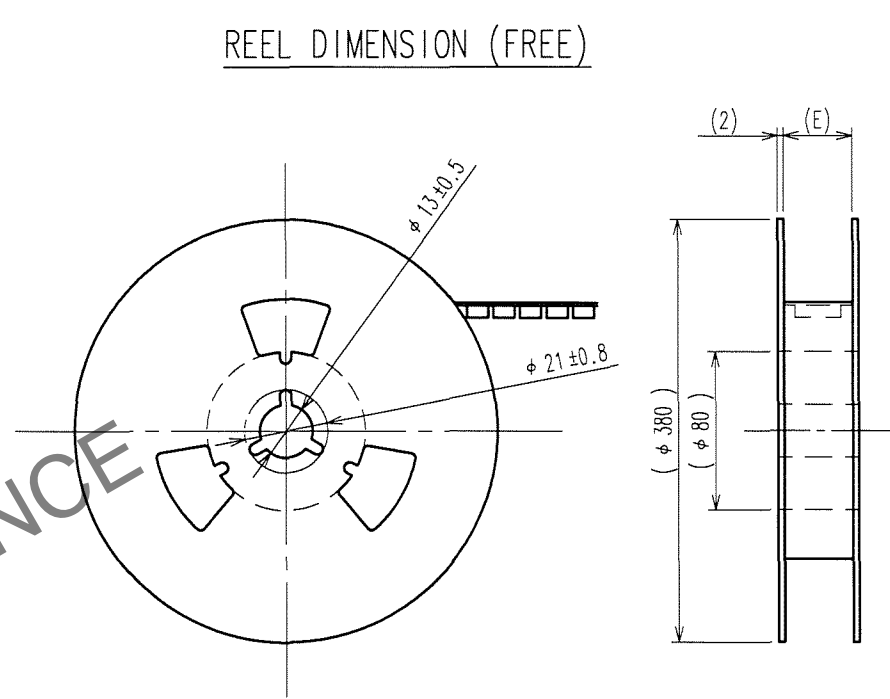
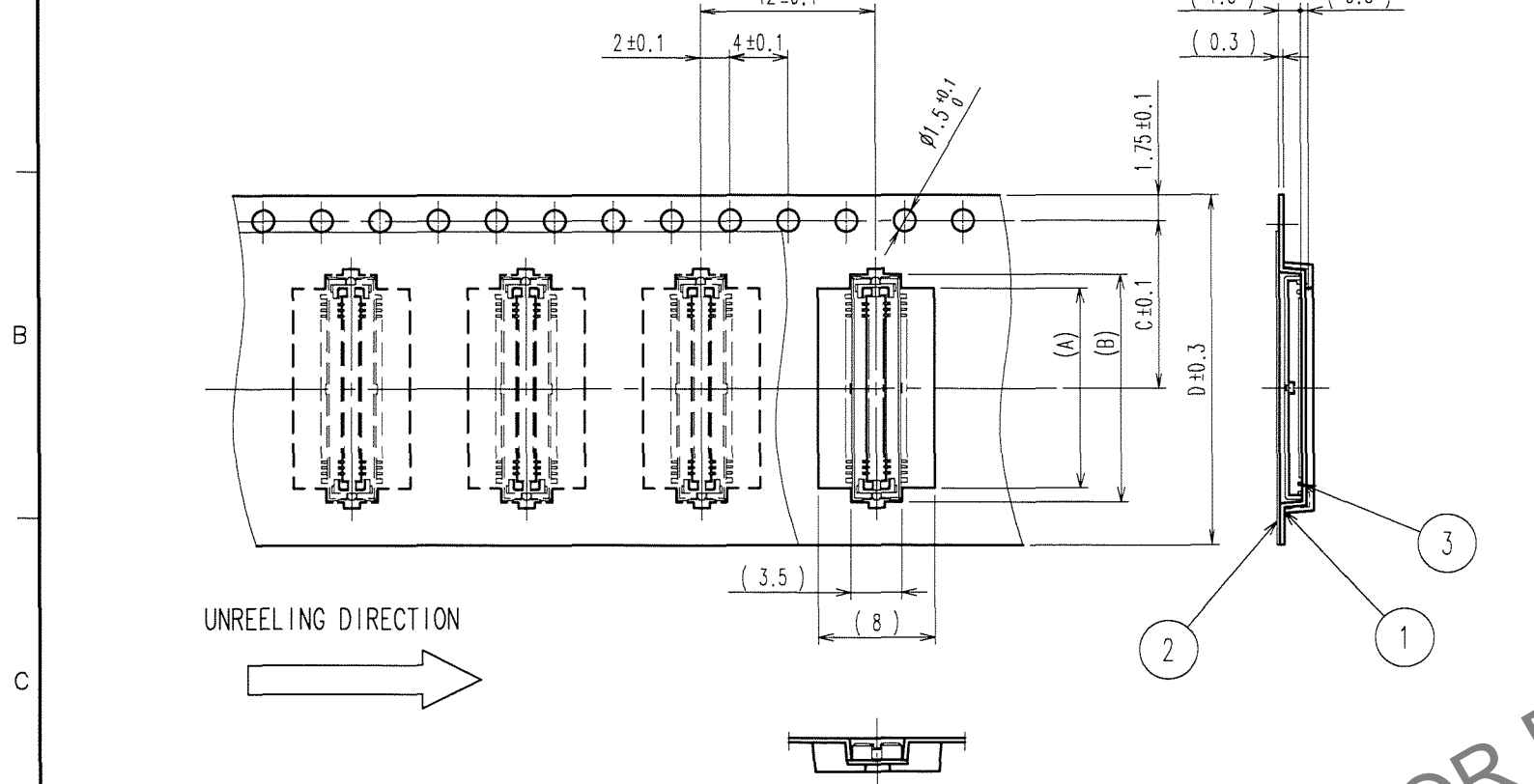
CODE NO. (OLD)	DRAWN	DESIGNED	CHECKED	APPROVED	RELEASED
	T.NODA '06.04.10	<i>T.Noda</i> '06.07.11	<i>H.Yamaguchi</i> '06.07.11	<i>H.Okawa</i> '06.07.11	

SCALE FREE	DRAWING NO. EDC3-156245	PART NO. FX12B-*S-0.4SV
UNITS mm	HRS HIROSE ELECTRIC CO., LTD	CODE NO. CL573

TO

Dec.1.2024 Copyright 2024 HIROSE ELECTRIC CO., LTD. All Rights Reserved.
In case of consideration for using Automotive equipment / device which demand high reliability, kindly contact our sales window correspondents.

5		6			7			8		
COUNT	DESCRIPTION OF REVISIONS	BY	CHKD	DATE	COUNT	DESCRIPTION OF REVISIONS	BY	CHKD	DATE	
△					△					
△					△					
△					△					



PART NO.	CODE NO.	A	B	C	D	E
FX12B-24S-0.4SV	CL573-1006-3-00	6.5	8.4	11.5	24	24.4
FX12B-40S-0.4SV	CL573-1002-2-00	9.7	11.6	11.5	24	24.4
FX12B-50S-0.4SV	-	11.7	13.6	11.5	24	24.4
FX12B-60S-0.4SV	CL573-1008-9-00	13.7	15.6	11.5	24	24.4

3		(CONNECTOR)
2	POLYESTER	(TOP COVER TAPE)
1	POLYSTYRENE	(EMBOSSED CARRIER TAPE)

NOTE 1. 1 REEL : 3000 CONNECTORS.
2. THE DIMENSIONS IN PARENTHESES ARE FOR REFERENCE.

NO.	MATERIAL	FINISH, REMARKS	NO.	MATERIAL	FINISH, REMARKS
CODE NO. (OLD)		DRAWN	DESIGNED	CHECKED	APPROVED
DRAWING FOR PACKAGING		T.NODA	T.NODA	H. Yamaguchi	H. Okawa
		'06.04.10	'06.04.11	'06.04.11	'06.04.11
DRAWING NO. EDC3-156245			PART NO. FX12B-*S-0.4SV		
UNITS mm			CODE NO. CL573		

TO