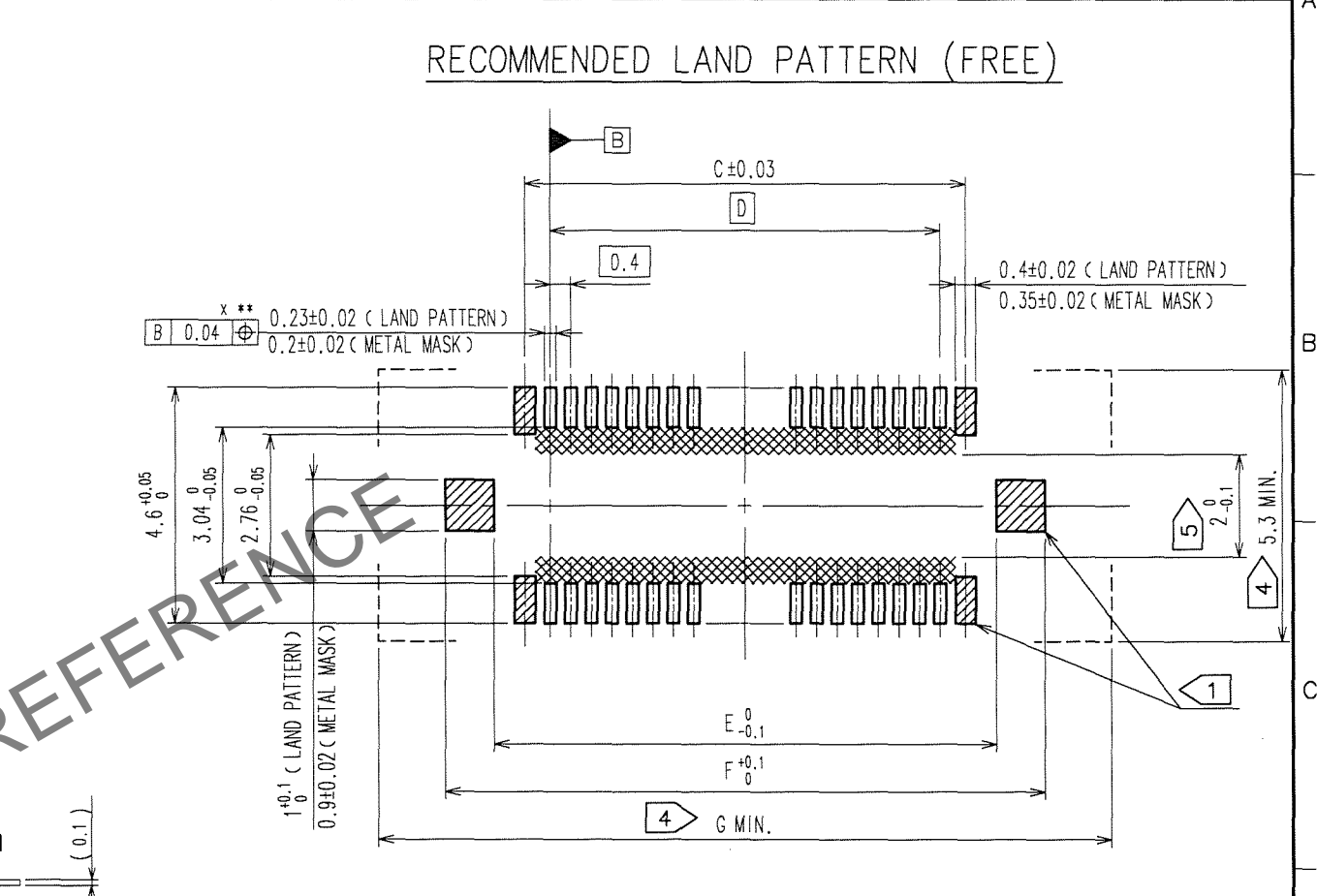
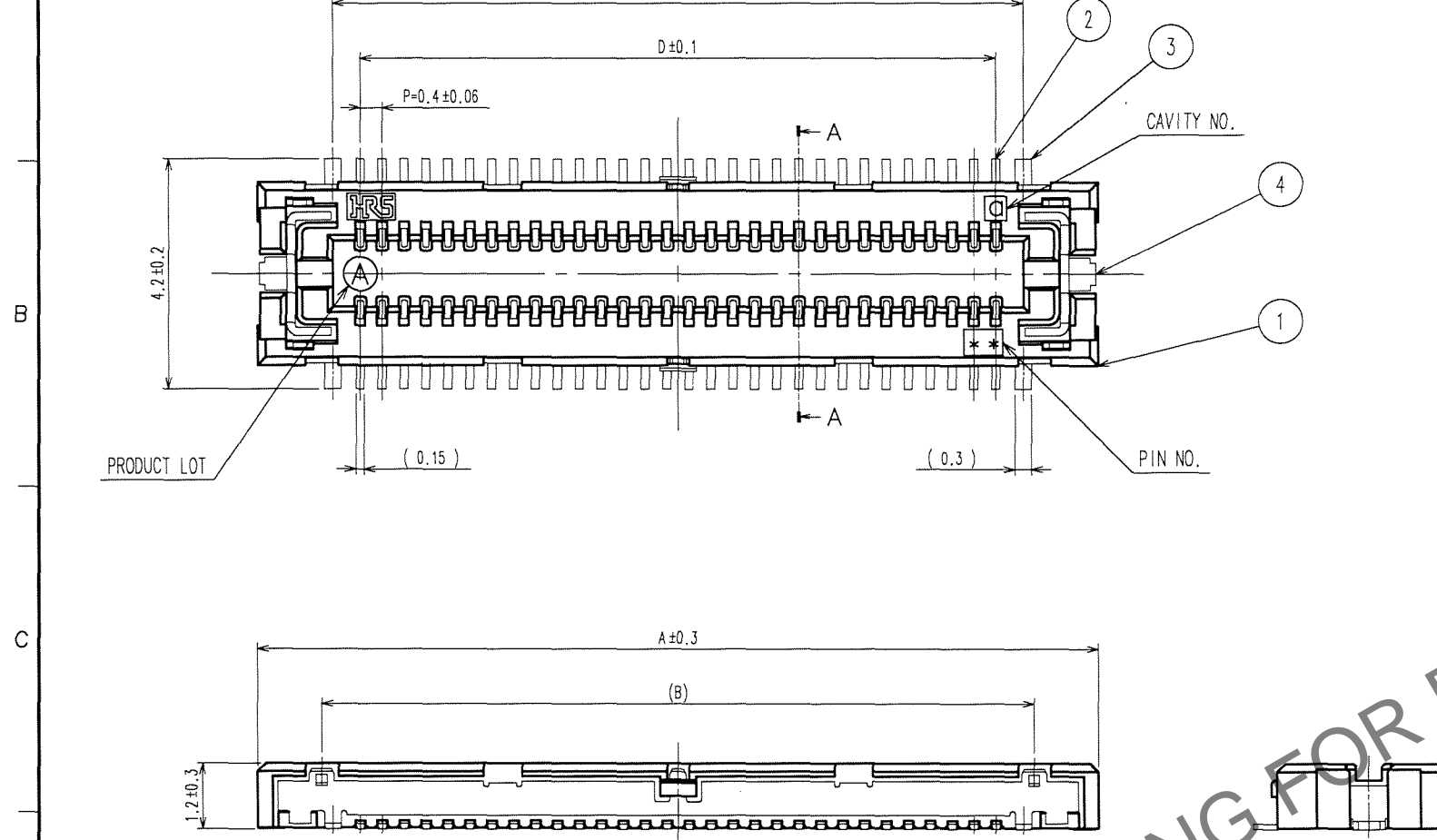


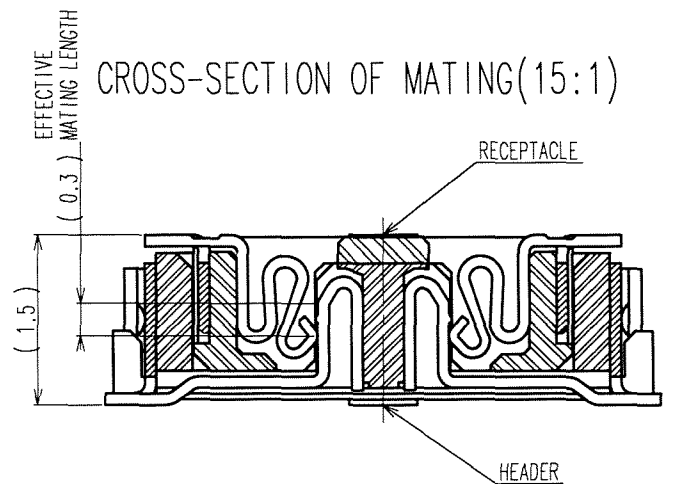
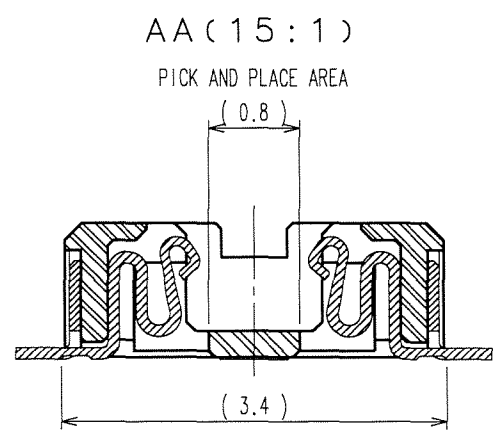
Apr.1.2024 Copyright 2024 HIROSE ELECTRIC CO., LTD. All Rights Reserved.  
In case of consideration for using Automotive equipment / device which demand high reliability, kindly contact our sales window correspondents.

COUNT	DESCRIPTION OF REVISIONS	BY	CHKD	DATE	COUNT	DESCRIPTION OF REVISIONS	BY	CHKD	DATE



HRS DRAWING FOR REFERENCE

- NOTES
- 1 6 HATCHED PARTS: GROUND CIRCUIT.
  - 2 SMT LEAD-COPLANARITY: 0.1 MAX.
  - 3 THIS PRODUCT HAS NO POLARITY TO PATTERN FOR MOUNTING.
  - 4 DO NOT MOUNT OTHER DEVICES ONTO AREA, OR MATING PAIR CANNOT BE MATED.
  - 5 MAKE SURE WIDTH OF PATTERN IS WITHIN THAT OF LAND, OR LEAD MAY TOUCH PATTERN. (THIS APPLIES TO HATCHED AREA)
  - 6 THE DIMENSIONS IN PARENTHESES ARE FOR REFERENCE.



PART NO.	CODE NO.	A	B	C	D	E	F	G
FX12B-24S-0.4SV	CL573-1006-3-00	8.14	5.8	5.4	4.4	6.6	8.5	11.1
FX12B-40S-0.4SV	CL573-1002-2-00	11.34	9	8.6	7.6	9.8	11.7	14.3
FX12B-50S-0.4SV	-	13.34	11	10.6	9.6	11.8	13.7	16.3
FX12B-60S-0.4SV	CL573-1008-9-00	15.34	13	12.6	11.6	13.8	15.7	18.3

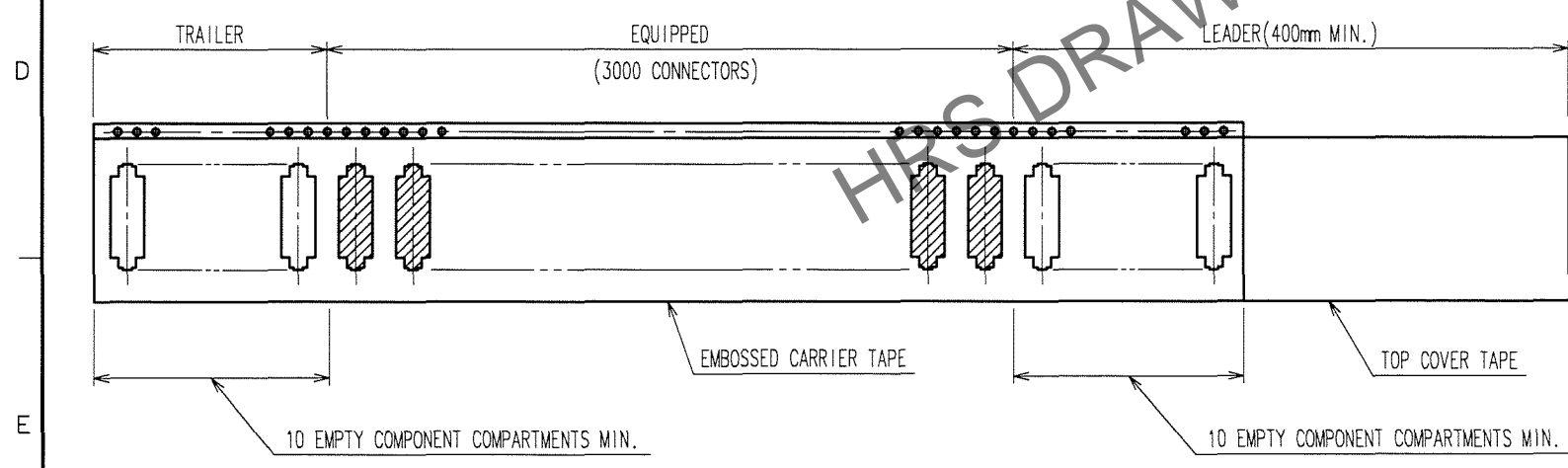
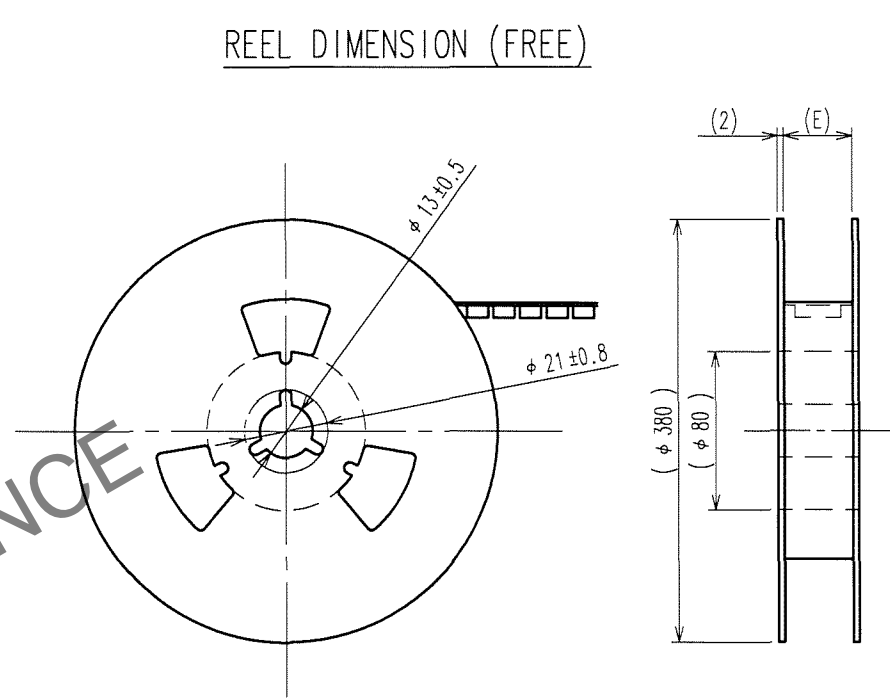
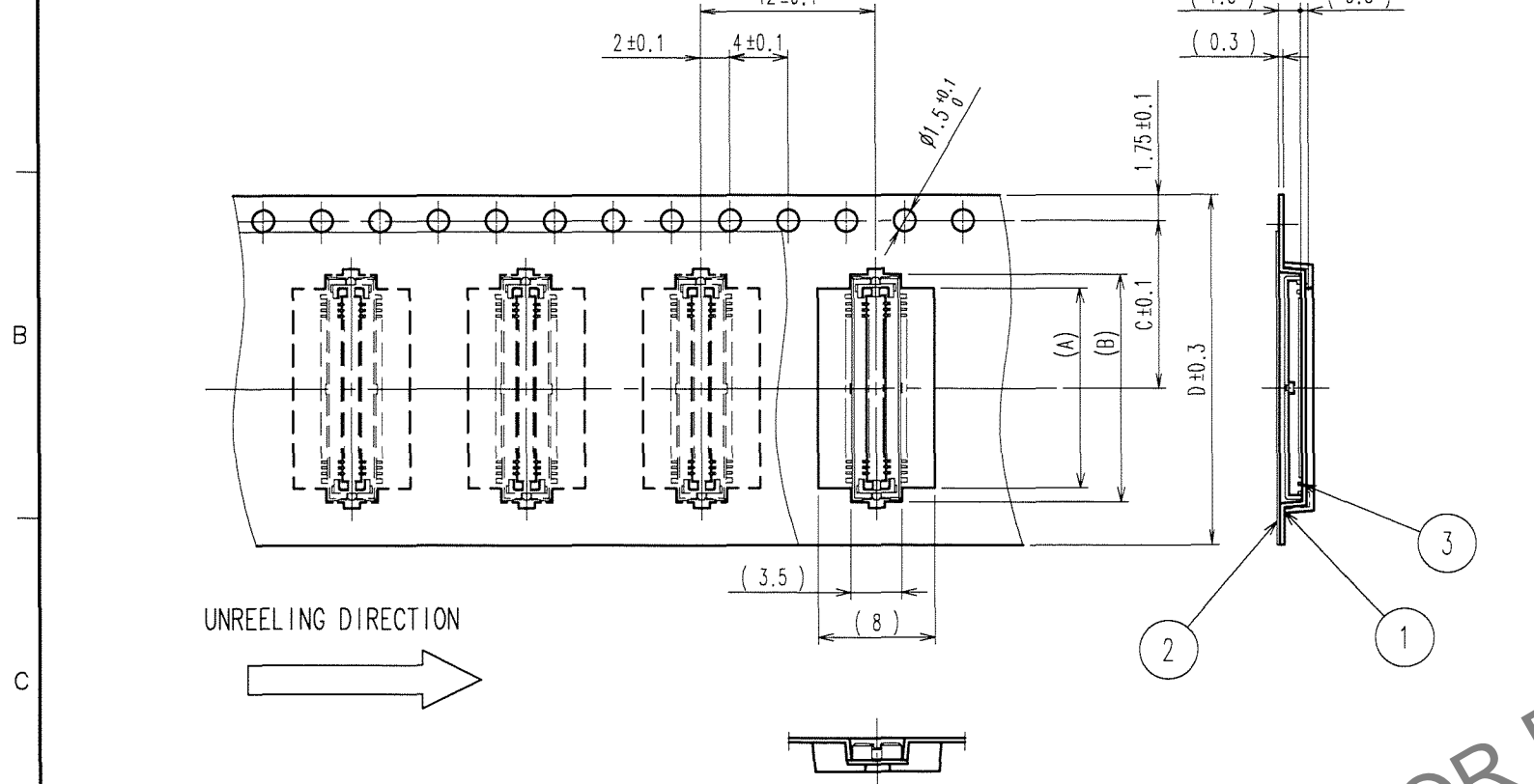
NO.	MATERIAL	FINISH, REMARKS	NO.	MATERIAL	FINISH, REMARKS
4	PHOSPHOR BRONZE	TIN-PLATING	2	PHOSPHOR BRONZE	CONTACT AREA: GOLD 0.1 $\mu$ m min.
3	PHOSPHOR BRONZE	GOLD FLASH			LEAD AREA: GOLD FLASH
1	POLYAMIDE	BLACK, UL94V-0			UNDER PLATING: NICKEL 1 $\mu$ m min.

CODE NO. (OLD)	DRAWN	DESIGNED	CHECKED	APPROVED	RELEASED
	T. NODA	<i>T. Noda</i>	<i>H. Yamaguchi</i>	<i>H. Okawa</i>	
	'06.04.10	'06.07.11	'06.07.11	'06.07.11	
DRAWING NO. EDC3-156245		PART NO. FX12B-*S-0.4SV			
SCALE FREE		UNITS mm		CODE NO. CL573	

TO

Apr.1.2024 Copyright 2024 HIROSE ELECTRIC CO., LTD. All Rights Reserved.  
In case of consideration for using Automotive equipment / device which demand high reliability, kindly contact our sales window correspondents.

5				6				7				8			
COUNT	DESCRIPTION OF REVISIONS	BY	CHKD	DATE	COUNT	DESCRIPTION OF REVISIONS	BY	CHKD	DATE	COUNT	DESCRIPTION OF REVISIONS	BY	CHKD	DATE	
△					△					△					
△					△					△					
△					△					△					



PART NO.	CODE NO.	A	B	C	D	E
FX12B-24S-0.4SV	CL573-1006-3-00	6.5	8.4	11.5	24	24.4
FX12B-40S-0.4SV	CL573-1002-2-00	9.7	11.6	11.5	24	24.4
FX12B-50S-0.4SV	-	11.7	13.6	11.5	24	24.4
FX12B-60S-0.4SV	CL573-1008-9-00	13.7	15.6	11.5	24	24.4

NOTE 1. 1 REEL : 3000 CONNECTORS.  
2. THE DIMENSIONS IN PARENTHESES ARE FOR REFERENCE.

3		(CONNECTOR)
2	POLYESTER	(TOP COVER TAPE)
1	POLYSTYRENE	(EMBOSSED CARRIER TAPE)

NO.	MATERIAL	FINISH, REMARKS	NO.	MATERIAL	FINISH, REMARKS
CODE NO. (OLD)			DRAWN		
DRAWING FOR PACKAGING			DESIGNED		
T.NODA			CHECKED		
'06.04.10			APPROVED		
T.NODA			RELEASED		
'06.04.11			H. Ohawa		
'06.04.11			'06.04.11		
'06.04.11			'06.04.11		
DRAWING NO.			PART NO.		
EDC3-156245			FX12B-*S-0.4SV		
SCALE			CODE NO.		
2 : 1			CL573		
UNITS			2		
mm			HIROSE ELECTRIC CO., LTD		

TO