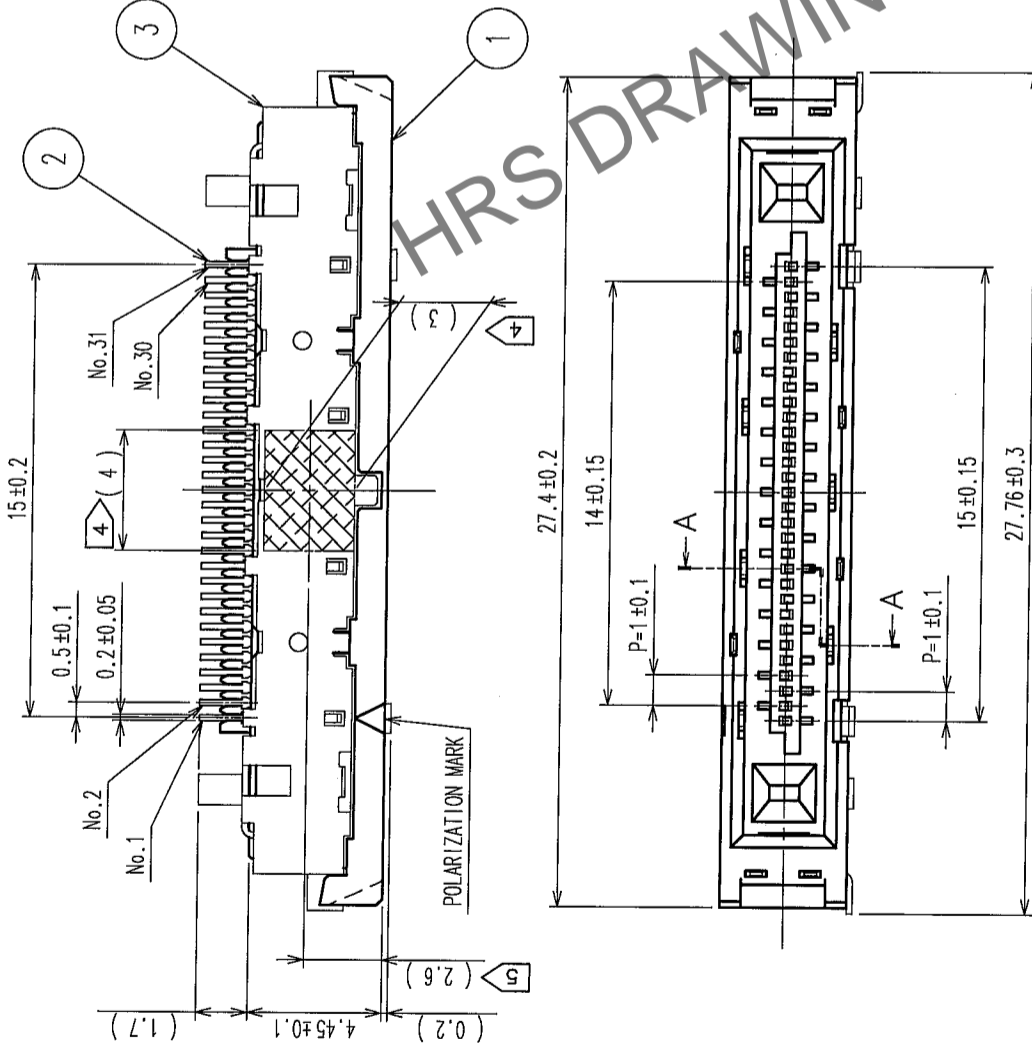
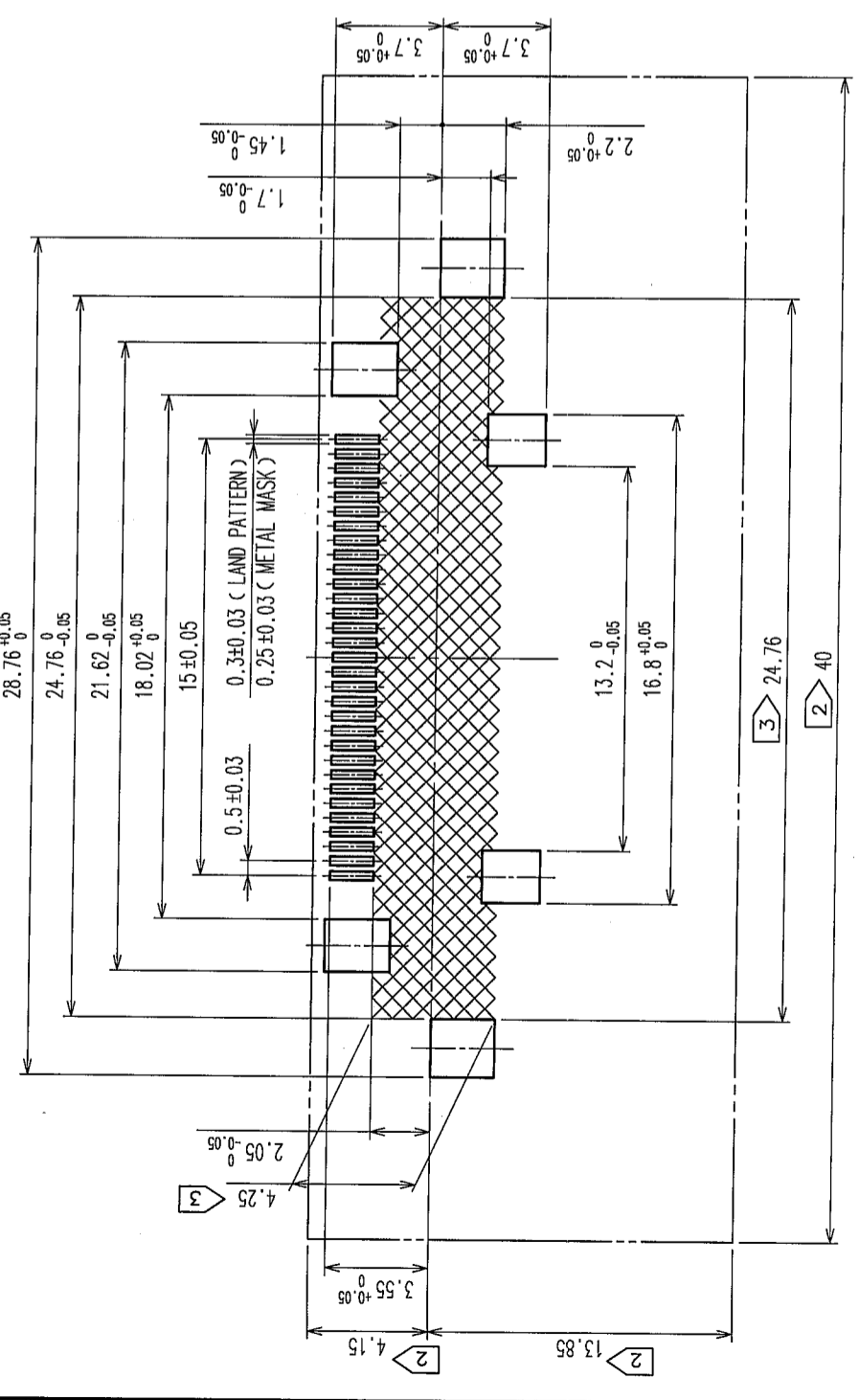


COUNT	DESCRIPTION OF REVISIONS	BY	CHKD	DATE	COUNT	DESCRIPTION OF REVISIONS	BY	CHKD	DATE
1	DIS-F-000562	K.S.H.Y		05.10.31					



AA(10:1) Δ

RECOMMENDED LAND PATTERN DIMENSION OF P.C.B



- NOTE
- LEAD-COPLANARITY OF THIS PRODUCT TO BE 0.1MAX FOR SMT LEAD AND 0.15MAX FOR GROUND PLATE LEAD.
 - DO NOT MOUNT OTHER DEVICES ONTO [] AREA, OR MATINGPAIR CANNOT BE MATED AND OPERATED THE LOCK PARTS.
 - [] AREA OF INNER SMT LAND REQUIRES PATTERN PROHIBITION OR RESIST TREATMENT TO PREVENT THE PATTERN TOUCHING TO THE CONTACTS.
 - [] AREA IS VACUUM PICKUP AREA FOR REFERENCE.
 - THE DIMENSION IS THE CENTER OF VACUUM PICKUP AREA.
 - THE DIMENSIONS IN PARENTHESES ARE FOR REFERENCE.
 - PACKAGING FOR THIS PRODUCT APPLIES EMBOSSED CARRIER TAPE PACKAGING. SEE SHEET 2/2 FOR DETAILS.

NO.	MATERIAL	FINISH, REMARKS	NO.	MATERIAL	FINISH, REMARKS
3	NICKEL SILVER		2	PHOSPHOR BRONZE	
1	PA	BLACK UL94V-0			

CONTACT AREA: GOLD	0.1μm min	LEAD AREA: TIN-PLATING	1μm min	UNDER PLATING: NICKEL	0.5μm min

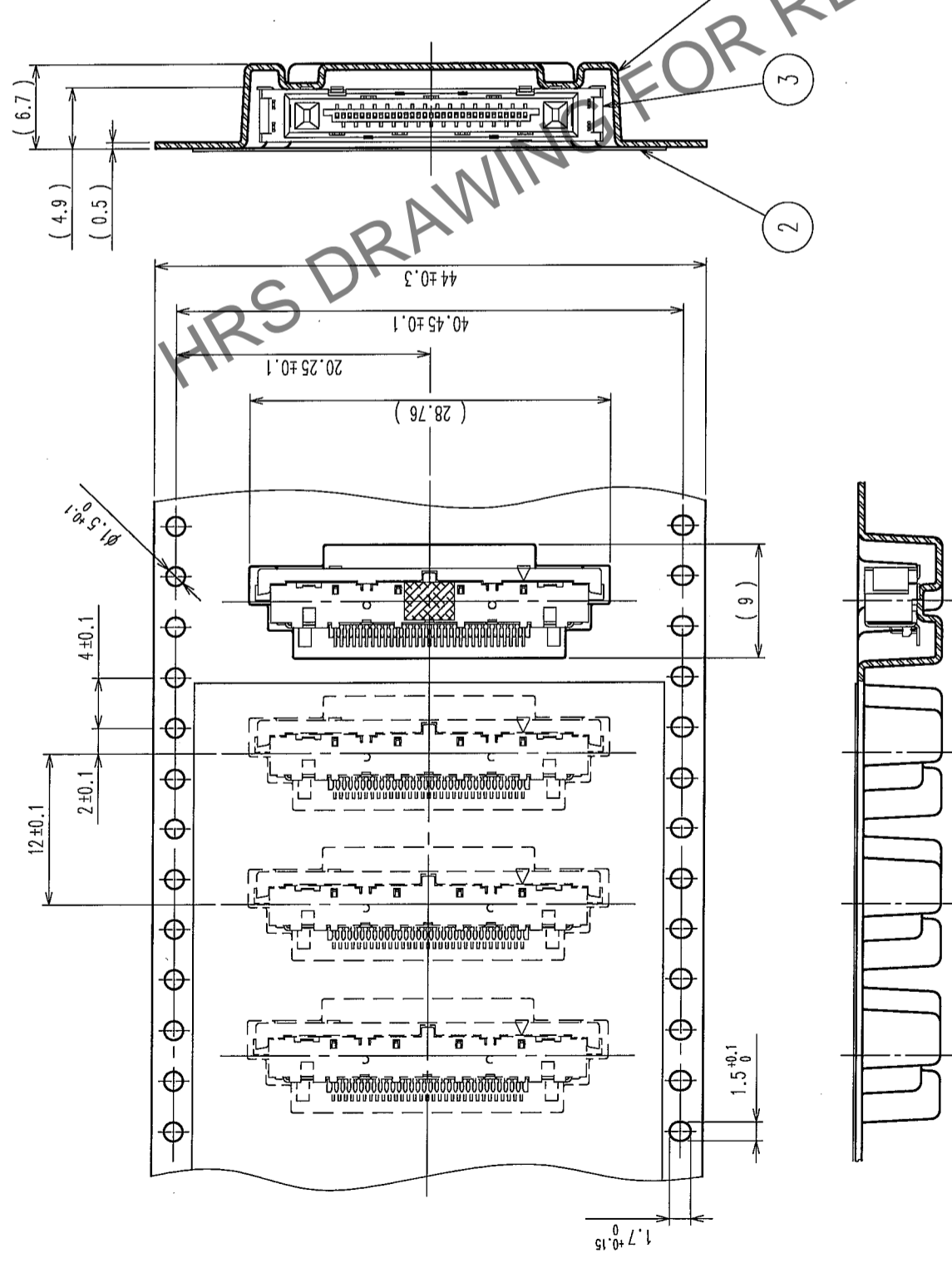
CODE NO. (OLD)	CL	DRAWN	DESIGNED	CHECKED	APPROVED	RELEASED
		K. SHIBUYA	K. SHIBUYA	H. YAMAGUCHI	H. OKAWA	
		05.08.04	05.08.04	05.08.05	05.08.05	

DRAWING NO.	PART NO.
EDC3-155934	FX15S-31S-0.5SH

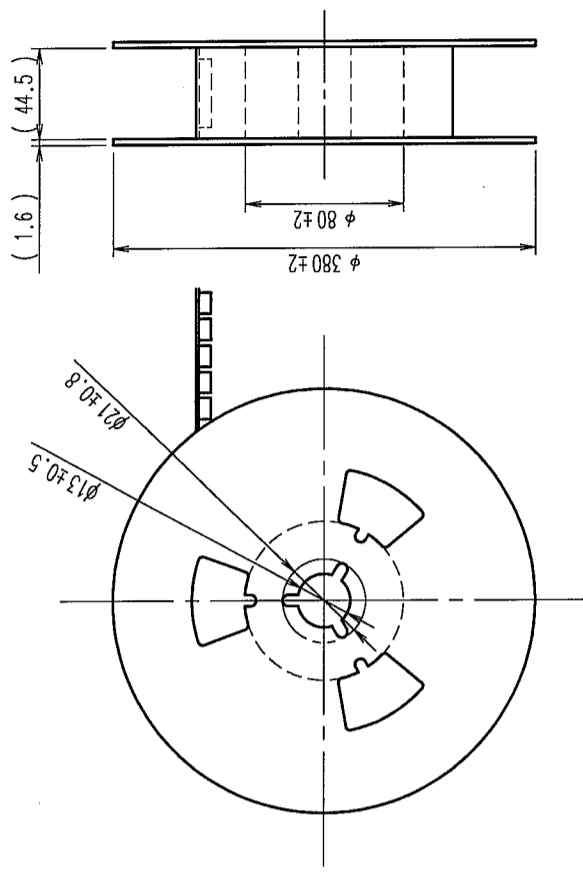
SCALE	UNITS	CODE NO.
4 : 1	mm	CL575-2306-5

COUNT	DESCRIPTION OF REVISIONS	BY	CHKD	DATE	COUNT	DESCRIPTION OF REVISIONS	BY	CHKD	DATE
△					△				
△					△				
△					△				

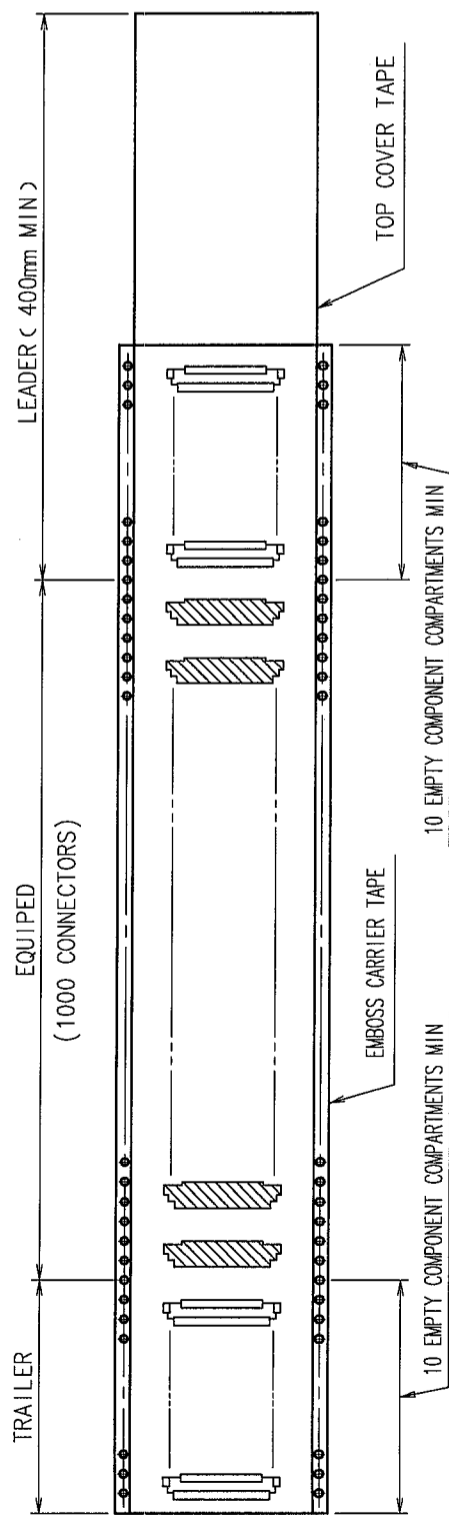
THE DIRECTION OF PULLING OUT



REELED DIMENSION (FREE)



NOTE 1. 1 REEL : 1000 CONNECTORS.



EMBOSS CARRIER TAPE		CONNECTOR	
NO.	MATERIAL	EMBOSS CARRIER TAPE FINISH, REMARKS	TOP COVER TAPE
1	PS		3
2	POLYESTER		2

NO.	MATERIAL	FINISH, REMARKS	NO.	MATERIAL	FINISH, REMARKS
1	CL		1		

CODE NO. (OLD)	DRAWN	DESIGNED	CHECKED	APPROVED	RELEASED
	K. SHIBUYA	K. SHIBUYA	H. YAMAGUCHI	H. OKAWA	
	05.08.04	05.08.04	05.08.05	05.08.05	

DRAWING NO.	PART NO.
EDC3-155934	FX15S-31S-0.5SH

SCALE	UNITS	CODE NO.
2 : 1	mm	CL575-2306-5

TO