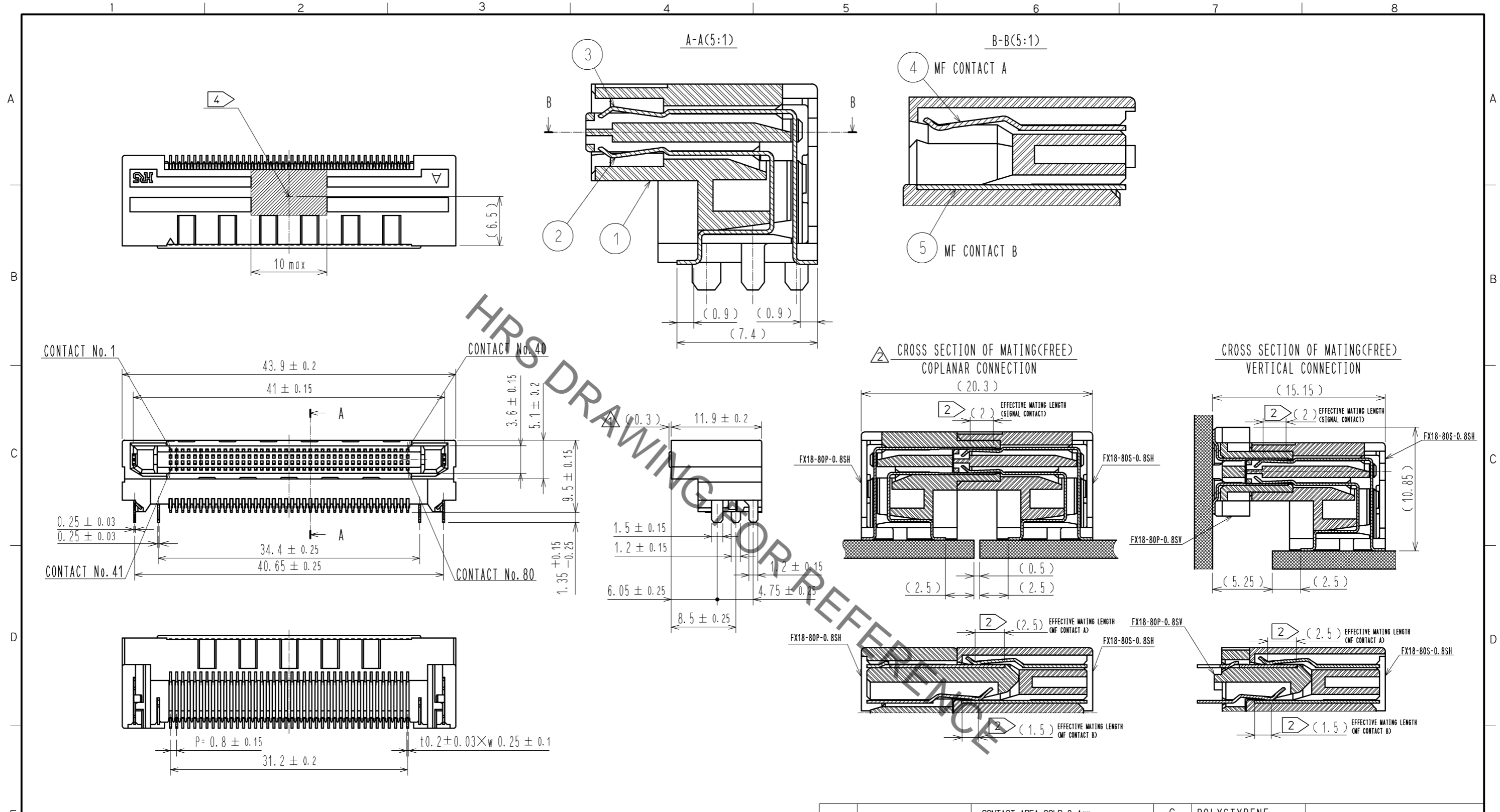


Apr.1.2020 Copyright 2020 HIROSE ELECTRIC CO., LTD. All Rights Reserved.
In case of consideration for using Automotive equipment / device which demand high reliability, kindly contact our sales window correspondents.



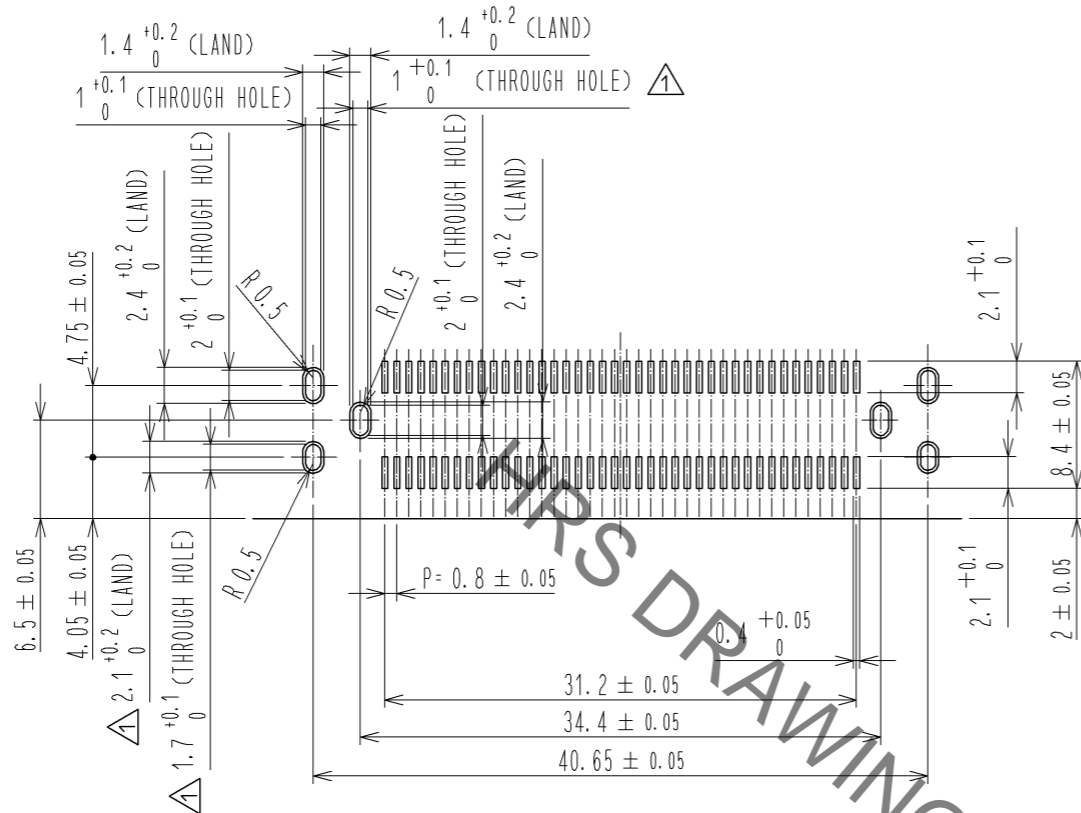
- NOTE 1 LEAD CO-PLANARITY IS 0.1mm MAX.
 ② CONTACTS ARE 3 STEPS SEQUENTIAL. (MF CONTACT A=>SIGNAL CONTACT=>MF CONTACT B) WHEN USING THIS SEQUENTIAL STRUCTURE. PLEASE AVOID ANGLED INSERTION.
 3 MF CONTACT A AND MF CONTACT B CAN BE USED AS POWER SUPPLY CONTACT. (3A/PIN MAX)
 ④ IT SHOWS CONNECTOR'S CENTRE OF GRAVITY AND VACUUM PICKUP AREA.
 ⑤ THIS IS PACKAGED IN TRAY. (50psc/TRAY)
 6 BLEMISH AND HIT MARK CAN BE OCCURED THROUGH OUT THE MANUFACTURING PROCESS WHICH DOESN' T AFFECT QUALITY LEVEL.
 7 THE DIMENSIONS IN PARENTHESES ARE FOR REFERENCES.

| NO. | MATERIAL | FINISH | REMARKS | NO. | MATERIAL | FINISH | REMARKS |
|-----|-----------------|----------------------------|---------|-----|-----------------|----------------------------|---------|
| 3 | PHOSPHOR BRONZE | CONTACT AREA:GOLD 0.1µm | | 6 | POLYSTYRENE | | |
| | | LEAD AREA:GOLD 0.03µm | | 5 | PHOSPHOR BRONZE | CONTACT AREA:GOLD 0.1µm | |
| | | UNDER PLATING:NICKEL 1.3µm | | | | LEAD AREA:TIN-PLATING 1µm | |
| 2 | PHOSPHOR BRONZE | CONTACT AREA:GOLD 0.1µm | | 4 | PHOSPHOR BRONZE | CONTACT AREA:GOLD 0.1µm | |
| | | LEAD AREA:GOLD 0.03µm | | | | LEAD AREA:TIN-PLATING 1µm | |
| | | UNDER PLATING:NICKEL 1.3µm | | | | UNDER PLATING:NICKEL 1.3µm | |
| 1 | POLYAMIDE | BLACK | UL94V-0 | | | | |

| UNITS | SCALE | COUNT | DESCRIPTION OF REVISIONS | DESIGNED | CHECKED | DATE |
|------------------------|-------|-------|--------------------------|----------------------------|--------------|----------|
| mm | 2 : 1 | 1 | DIS-F-005993 | TH. SANO | KI. HIROKAWA | 12.01.27 |
| APPROVED : HS. OKAWA | | | 10.06.16 | DRAWING NO. EDC3-159083-00 | | |
| CHECKED : KI. HIROKAWA | | | 10.06.16 | PART NO. FX18-80S-0.8SH | | |
| DESIGNED : TH. SANO | | | 10.06.16 | CODE NO. CL579-0011-6-00 | | |
| DRAWN : TH. SANO | | | 10.06.16 | 1/2 | | |

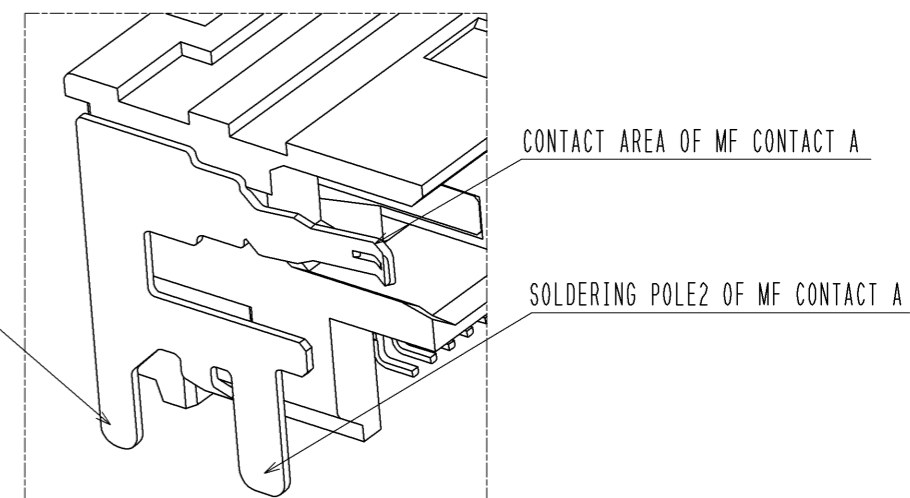
Apr.1.2020 Copyright 2020 HIROSE ELECTRIC CO., LTD. All Rights Reserved.
In case of consideration for using Automotive equipment / device which demand high reliability, kindly contact our sales window correspondents.

RECOMMENDED LAND PATTERN DIMENSION OF PCB(2:1)
(PCB THICKNESS:t=1.6mm METAL MASK THICKNESS:t=0.12mm)

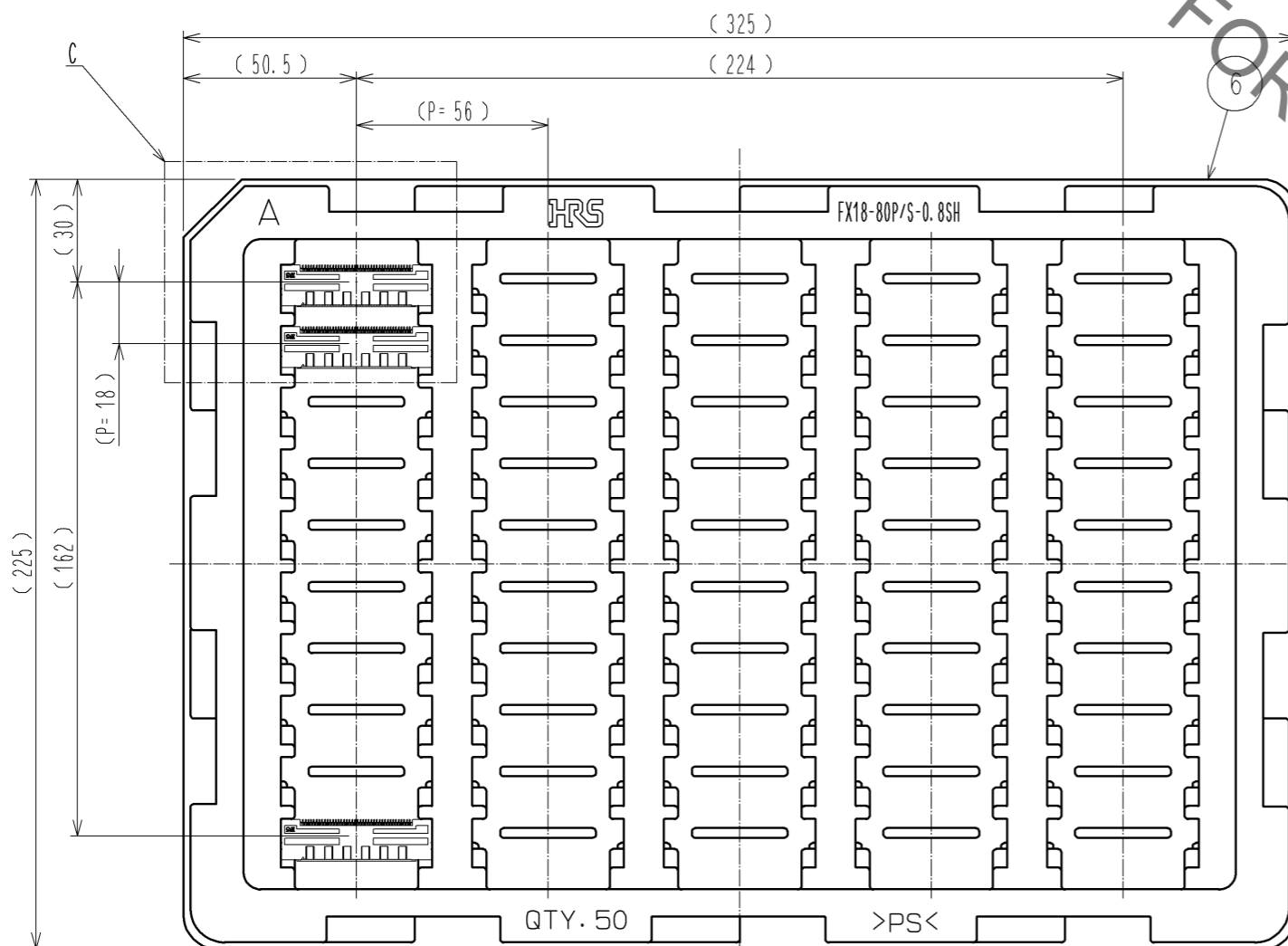


5 DRAWING FOR PACKING(1:2)

8 CONFIGURATION OF MF CONTACT A

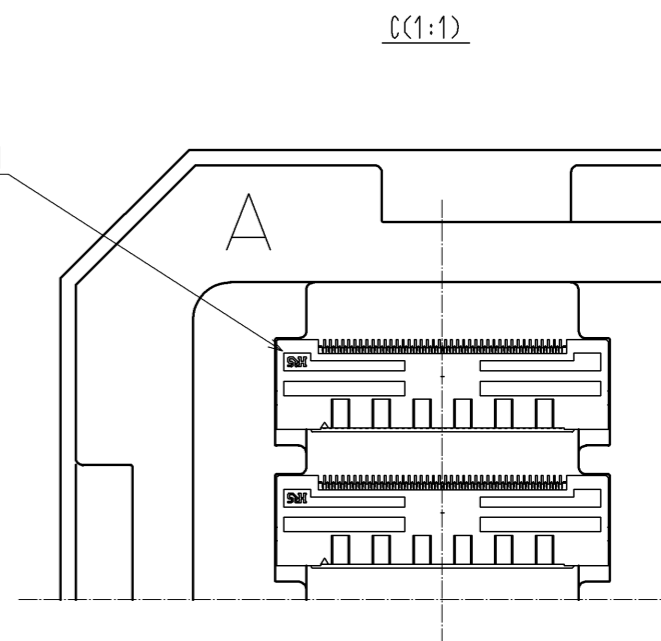


NOTE 8 SOLDERING LEAD OF MF CONTACT A SPLITS INTO TWO POLES.
BE SURE TO CONNECT TO THE SAME CIRCUIT.



REFERENCE

FX18-80S-0.8SH



| | | | |
|------------|-------------|-----------------|-----|
| HRS | DRAWING NO. | EDC3-159083-00 | 2/2 |
| | PART NO. | FX18-80S-0.8SH | |
| | CODE NO. | CL579-0011-6-00 | |
| | | | |