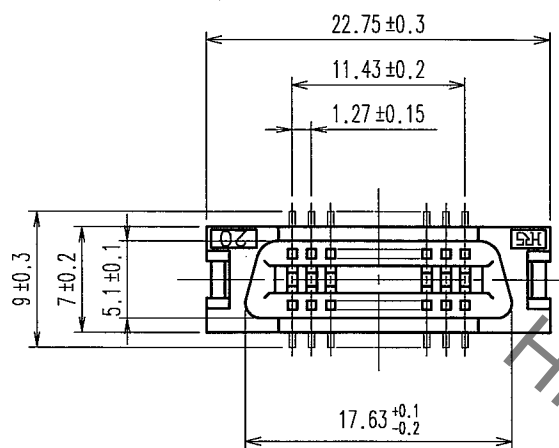
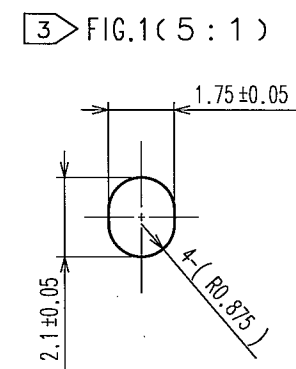
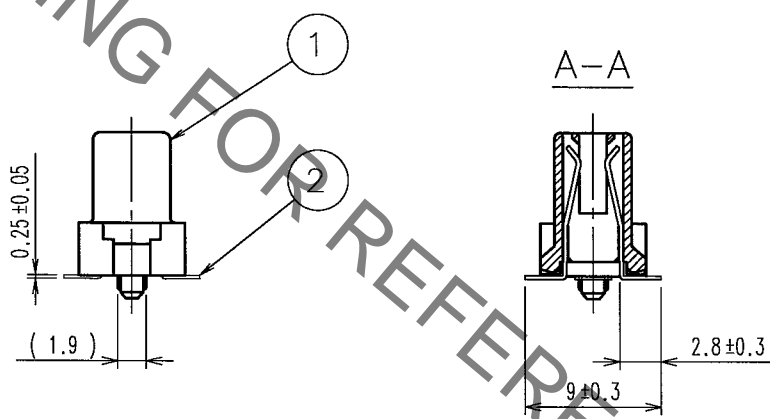
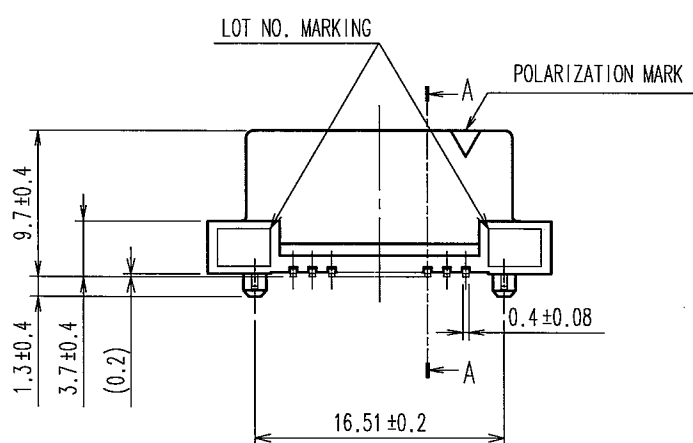
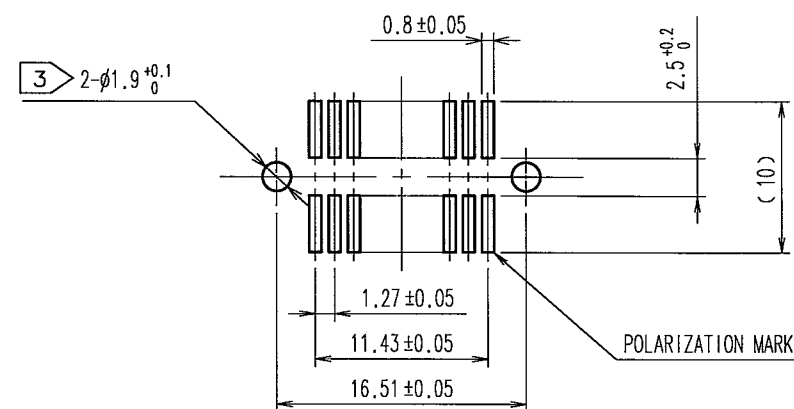


Copyright 2020 HIROSE ELECTRIC CO., LTD. All Rights Reserved.  
 Jul.1.2020 of consideration for using Automotive equipment / device which demand high reliability, kindly contact our sales window correspondents.

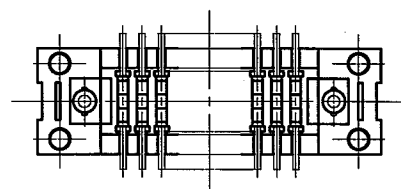
COUNT	DESCRIPTION OF REVISIONS	BY	CHKD	DATE	COUNT	DESCRIPTION OF REVISIONS	BY	CHKD	DATE
△				..	△				..
△				..	△				..
△				..	△				..



RECOMMENDED LAND PATTERN DIMENSION OF PCB (MOUNTING SIDE)



- NOTES 1 LEAD CO-PLANARITY SHALL BE 0.15 MAX.  
 2 THE DIMENSIONS IN PARENTHESES ARE FOR REFERENCE.  
 3 IN CASE OF THE AUTOMATED MOUNTING, RECOMMENDED HOLE DIAMETER OF BOSS IS SHOWN IN FIG.1.



1	PPS	LIGHT BROWN (UL94V-0)	2	PHOSPHOR BRONZE	CONTACT AREA:GOLD 0.2μ m min. LEAD AREA:TIN-PLATING 2μ m min. UNDER PLATING:NICKEL 1.5μ m min.
NO.	MATERIAL	FINISH, REMARKS	NO.	MATERIAL	FINISH, REMARKS
CODE NO. (OLD) CL		DRAWN A. SUZUKAWA 06.03.07	DESIGNED <i>M. Nakamura</i> 06.03.10	CHECKED <i>D. Ozawa</i> 06.03.10	APPROVED <i>H. Okawa</i> 06.03.13
DRAWING NO. EDC3-082755-21		PART NO. FX2-20S-1.27SV(71)		CODE NO. CL572-2101-3-71	
SCALE 2 : 1		UNITS mm		1/1	

TO  
PCK